



Set-Pro™

Professional Equipment Placement System



Use your smart phone to scan the above QR code to visit our website:
www.bk-resources.com

Certifications:



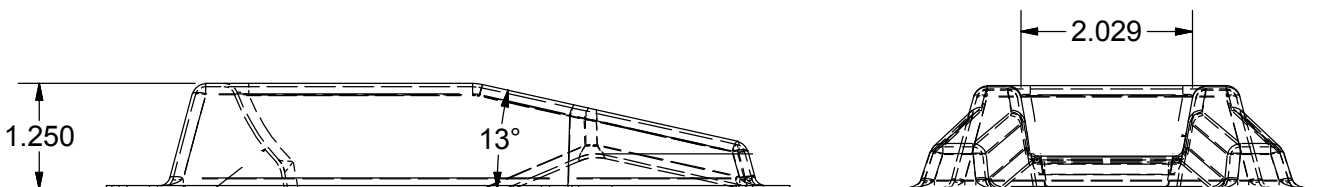
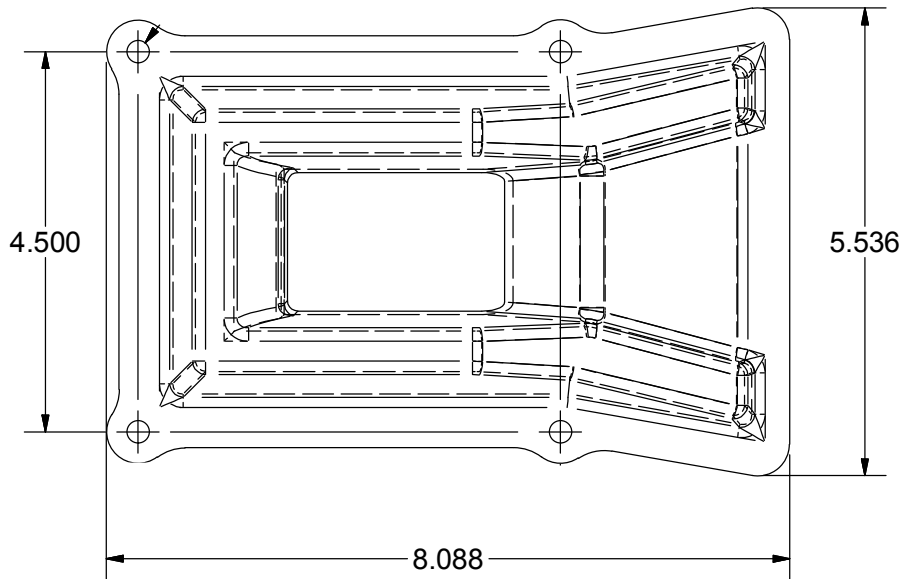
Features:

- Comes in a Set of Two (2)
- Consistent Equipment Placement of Caster-Mounted Equipment
- Includes Mounting Hardware & Caulk
- Reduces Gas Hose Wear & Tear
- Helps Maintain NFPA Codes 17A (5.6.4) and 96 (12.1.2.3)

Material:

- T-304 16 ga. Stainless Steel

Set-Pro™ Part Number	Description	Product Weight (lbs)
BKG-CS	Set of two (2) equipment placement system	2.35



PRODUCT DATA SHEET