



# EVERPURE® KLEENWARE® HTS-11 SYSTEM

## SCALE PREVENTION AND CORROSION CONTROL FOR WAREWASHING EQUIPMENT

Kleenware HTS-11 System: EV9799-11  
HT-10 Replacement Cartridge: EV9799-22



### APPLICATIONS

Commercial dishwashers  
Commercial glassware washers  
Warewashing booster heaters

### FEATURES • BENEFITS

Inhibits mineral deposits and provides corrosion protection  
Extends the life of expensive foodservice equipment  
Specially designed flow through head assures consistent, predictable product feed rates  
Scale control system features HydroBlend™

Opaque (red) high temperature bowl allows for hot water [up to 170°F (76.6°C)] feed installations

Transparent replacement cartridge containing HydroBlend™ scale inhibitor, which is effective up to 200°F (93.3°C)

### INSTALLATION TIPS

The HTS-11 system must be used as a unit (i.e. high temperature bowl, head and cartridge).

Install vertically using the mounting bracket provided.

Use 3/4" water line and observe proper inlet/outlet water directions.

Some pressure relief mechanism should be provided downstream of the system to permit releasing line pressure when changing cartridges.

Delimiting of equipment prior to installation is recommended, but not required.

### OPERATION TIPS

Inspect HT-10 cartridge at least every six (6) months for replacement.

Pre-existing equipment scale may be dislodged and settle to the bottom of a chamber which can clog drain initially. Remove any settled scale.

In new installations, the HydroBlend™ usage rate may start high, but will reduce as existing scale is removed.

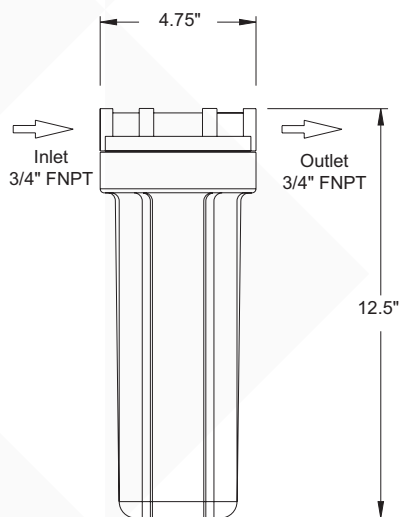
Replace HT-10 cartridge before HydroBlend™ compound is completely used up.

### SIZING

Service Flow Rate: Maximum 15 gpm (56.8 Lpm)

# EVERPURE® KLEENWARE® HTS-11 SYSTEM

## EV9799-11



### SPECIFICATIONS

#### Service Flow Rate

Maximum 15 gpm (56.8 Lpm)

#### Pressure Requirements

10 - 200 psi (0.7 - 13.6 bar), non-shock

#### Temperature

170°F (77°C)

#### Overall Dimensions

12.5" L x 4.75" W x 4.625" D  
(31.7 x 12 x 11.7 cm)

#### Connections

Inlet Connection: 3/4"

Outlet Connection: 3/4"

#### Operating Weight

8 lbs (3.6 kgs)

#### Shipping Weight

7 lbs (3.1 kgs)

#### Electrical Connection

None required

The contaminants or other substances removed or reduced by this drinking water system are not necessarily in your water. Do not use with water that is microbiologically unsafe or of unknown quality without adequate disinfection before or after the system. Systems certified for cyst reduction may be used with disinfected water that may contain filterable cysts.

### WARRANTY

Everpure water treatment systems by Pentair® (excluding replaceable elements) are covered by a limited warranty against defects in material and workmanship for a period of five years after date of purchase. Everpure replaceable elements (filter cartridges and water treatment cartridges) are covered by a limited warranty against defects in material and workmanship for a period of one year after date of purchase. See printed warranty for details. Pentair will provide a copy of the warranty upon request.



#### FILTRATION & PROCESSING SOLUTIONS

EVERPURE-SHURFLO WORLD HEADQUARTERS, 1040 MUIRFIELD DRIVE, HANOVER PARK, IL 60133 USA • WWW.EVERPURE.COM  
800.942.1153 MAIN (US ONLY) • 630.307.3000 MAIN • 630.307.3030 FAX • CSEVERPURE@PENTAIR.COM EMAIL

EVERPURE-SHURFLO AUSTRALIA, 1-21 MONASH DRIVE, DANDENONG SOUTH, VIC 3175, AUSTRALIA  
011.1300.576.190 TEL • 011.61.39.562.7237 FAX • AU.EVERPURE@PENTAIR.COM EMAIL

EVERPURE-SHURFLO CHINA, 21F CLOUD 9 PLAZA, NO 1118, SHANGHAI, 200052, CHINA  
86.21.3211.4588 TEL • 86.21.3211.4580 FAX • CHINA.WATER@PENTAIR.COM EMAIL

EVERPURE-SHURFLO INDIA, GREEN BOULEVARD, B-9/A, 7TH FLOOR - TOWER B SECTOR 62, NOIDA - 201301  
91.120.419.9444 TEL • 91.120.419.9400 FAX • INDIACUSTOMER@PENTAIR.COM EMAIL

EVERPURE-SHURFLO EUROPE, PENTAIR WATER BELGIUM BVBA, INDUSTRIEPARK WOLFSTEE, TOEKOMSTLAAN, 30 B-2200 HERENTALS, BELGIUM  
+32.(0).14.283.500 TEL • +32.(0).14.283.505 FAX • SALES@EVERPURE-EUROPE.COM EMAIL

EVERPURE-SHURFLO JAPAN INC., HASHIMOTO MN BLDG. 7F, 3-25-1 HASHIMOTO, MIDORI-KU, SAGAMIHARA-SHI KANAGAWA 252-0143, JAPAN  
81.(0)42.775.3011 TEL • 81.(0)42.775.3015 FAX • INFO@EVERPURE.CO.JP EMAIL

EVERPURE-SHURFLO SOUTHEAST ASIA, SOUTHEAST ASIA, 390 HAVELOCK ROAD, #04-01, KING'S CENTRE, SINGAPORE 169662  
65.6768.5800 TEL • 65.6737.5149 FAX • CSEVERPURE@PENTAIR.COM EMAIL

All Pentair trademarks and logos are owned by Pentair, Inc. or its affiliates. All other registered and unregistered trademarks and logos are the property of their respective owners. Because we are continuously improving our products and services, Pentair reserves the right to change specifications without prior notice. Pentair is an equal opportunity employer.