



Special Features:

- ✓ Super Duty Work Tables
- ✓ Work Area: Stainless Flat Top 7.5ft² - 20ft²
- ✓ Sturdy 16-Gauge 304 Stainless Steel Work Area
- ✓ High Loading Capacity for Work Area & Undershelf
- ✓ Undershelf Material: 18-Gauge 430 Stainless Steel
- ✓ 4" Backsplash
- ✓ Stainless Steel Hat Channel
- ✓ Stainless Steel Legs With 1-5/8" Diameter
- ✓ Stainless Steel Adjustable Bullet Feet

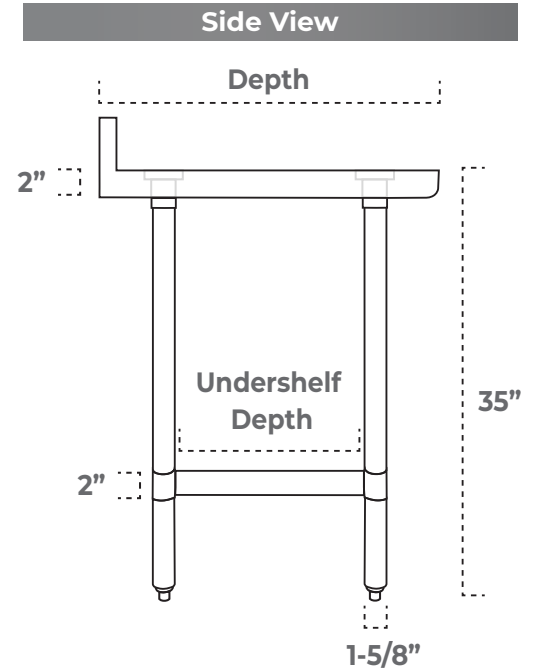
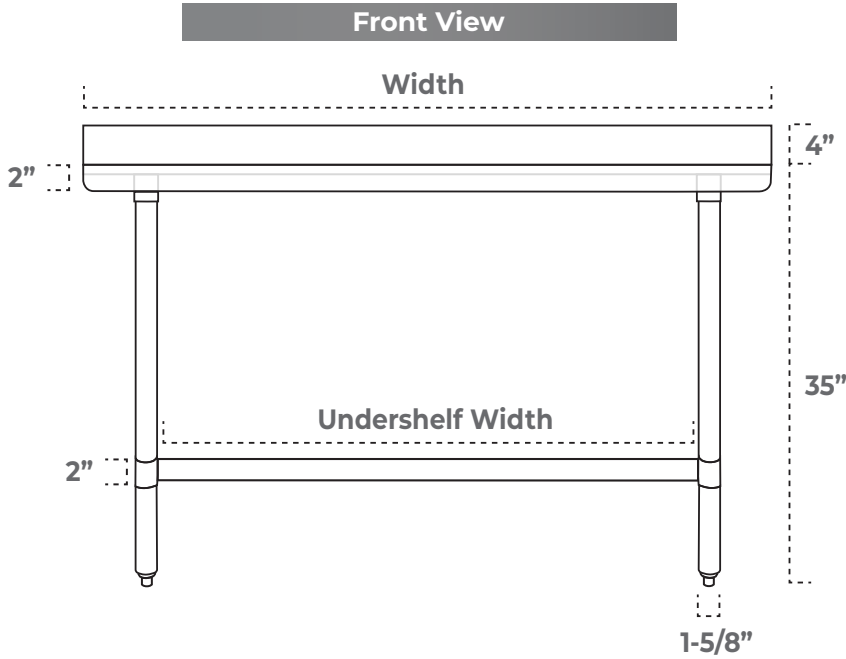
About Empura Super Duty Work Tables:

Empura work tables are an economical choice when looking to update, or expand your existing working and storage area. The heavy duty 16 gauge 304 stainless steel and 18 gauge 430 stainless steel construction, strong undershelf, easily adjustable feet, 1-5/8" diameter legs, and 4" backplash makes these work tables the sturdy and dependable workhorse models that kitchen staff can rely on to provide unwavering stability and support for any task they need to accomplish.

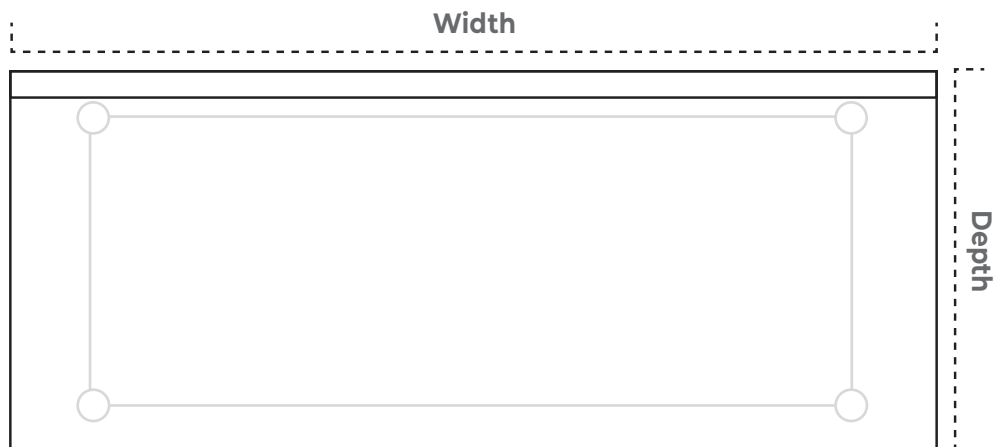
TECHNICAL SPECS

Model #	SWT4B3036	SWT4B3048	SWT4B3060	SWT4B3072	SWT4B3096
Overall Width	36"	48"	60"	72"	96"
Overall Depth	30"	30"	30"	30"	30"
Overall Height	35" (+4" Backsplash)	35" (+4" Backsplash)	35" (+4" Backsplash)	35" (+4" Backsplash)	35" (+4" Backsplash)
Leg Diameter	1-5/8"	1-5/8"	1-5/8"	1-5/8"	1-5/8"
Undershelf Width	32-1/4"	42"	54"	66"	90"
Undershelf Depth	26-1/4"	24"	24"	24"	24"
Undershelf Thickness	2"	2"	2"	2"	2"
Backsplash Height	4"	4"	4"	4"	4"
Top Shelf Loading Capacity	600 Lbs	600 Lbs	620 Lbs	640 Lbs	800 Lbs
Undershelf Loading Capacity	375 Lbs	370 Lbs	390 Lbs	410 Lbs	480 Lbs
Shipping Weight	65 Lbs	71.5 Lbs	84.48 Lbs	96.6 Lbs	140.8 Lbs
Top Shelf Material	304 SS	304 SS	304 SS	304 SS	304 SS
Top Shelf Gauge	16 G	16 G	16 G	16 G	16 G
Undershelf Material	430SS	430 SS	430 SS	430 SS	430 SS
Undershelf Gauge	18 G	18 G	18 G	18 G	18 G
Hat Channel Material	Stainless Steel	Stainless Steel	Stainless Steel	Stainless Steel	Stainless Steel
Leg Material	Stainless Steel	Stainless Steel	Stainless Steel	Stainless Steel	Stainless Steel
Foot Material	Stainless Steel	Stainless Steel	Stainless Steel	Stainless Steel	Stainless Steel

UNIT VIEW



Top View



Intended For Commercial Use Only. Empura assumes no liability for component failure, factory defects or any other damages for units installed in non-commercial foodservice or residential applications.

Attention CA Residents: This product can expose you to chemicals including lead, which are known to the State of California to cause cancer, birth defects, or other reproductive harm. For more information, go to www.p65warnings.ca.gov.