



Model: **14-544L** Item #: \_\_\_\_\_ Date: \_\_\_\_\_  
 Project: \_\_\_\_\_ Qty: \_\_\_\_\_ Approved By: \_\_\_\_\_

# Single Hole Deck Mount Metering Faucet

Royal Series



## DESCRIPTION

- Single Hole Deck Mount Metering Faucet, Polished Chrome Finish, 1.5 GPM Female Aerator Installed

## STANDARD FEATURES

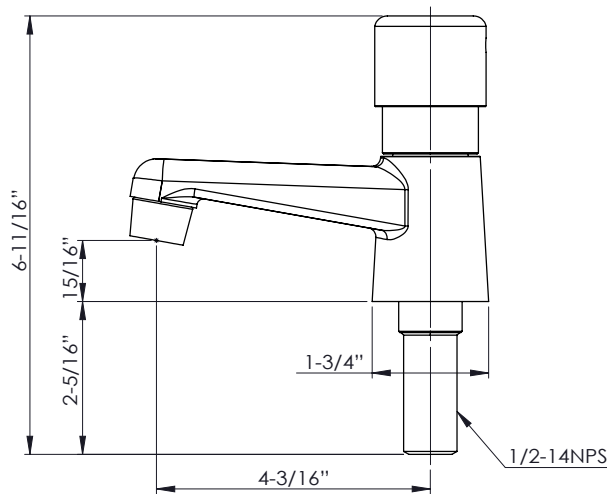
- Self-closing metering valve with adjustable timed flow
- Factory preset at 10 seconds
- Adjustable from 5-60 seconds
- Requires less than 5lbs of operating force to activate flow per ANSI 117.1
- Vandal resistant push button cap
- Warranty: 3 years

## SPECIFICATIONS

Water Inlet	1/2" NPS Male
Temp. Range	40°F - 180°F
Pressure	20-120 PSI
Rough In	7/8" Round Hole
Flow Rate	1.5 GPM
Material	Solid Brass
Finish	Polished Chrome
Weight	3 lbs.

## PRODUCT COMPLIANCE

- NSF-61 & NSF/ANSI 372
- ASME A112.18.1-2011/CSA B125.1-11 & NSF/ANSI 372
- Meets ANSI A117.1 (ADA)
- Massachusetts Approved
- CEC Approved



**WARNING:** Plumbing connections should be made by qualified personnel who will observe all applicable plumbing, sanitary and safety codes. California Proposition 65 Warning