



T&S BRASS AND BRONZE WORKS, INC.

2 Saddleback Cove / P.O. Box 1088
Travelers Rest, SC 29690

Model No.

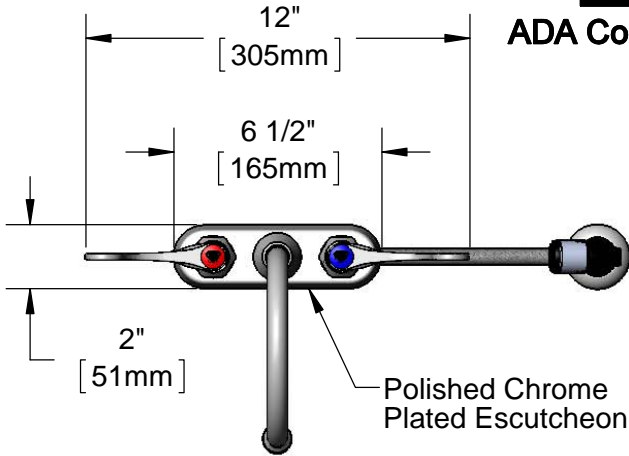
B-1170

Item No.

Travelers Rest, SC: 800-476-4103 • Simi Valley, CA: 800-423-0150 • Fax: 864-834-3518 • www.tsbrass.com



ADA Compliant



This Space for Architect/Engineer Approval

Job Name _____ Date _____

Model Specified _____ Quantity _____

Customer/Wholesaler _____

Contractor _____

Architect/Engineer _____

Quarter-Turn Eterna Cartridges w/ Spring Checks & Wrist Action Handles w/ Color Coded Indexes

5 3/4" Swivel Gooseneck w/ B-0199-01 2.2 GPM Aerator

360° Swivel Piece

Sidespray w/ 4' Vinyl Hose & Hose Guide

4 15/16" [125mm]

5 3/4" [145mm]

12 1/8" [308mm]

1" [26mm]

7 11/16" [195mm]

Mounting Surface

1/4" [6mm] Maximum Thickness

1/2" NPT Male Inlets

4" [102mm]

Hose Guide w/ Lock Nut

(2) 150A Optional Tailpiece & Nut For 1/4" NPT Connection (Included)

Rough-In Requirement:

Faucet: (3) Ø 1" [25mm] Mounting Holes
Sidespray: (1) Ø 1" [25mm] Mounting Hole

Product Specifications:

4" Deck Mount Workboard Faucet, Quarter-Turn Eterna Cartridges w/ Spring Checks, 4" Wrist Action Handles, 5 3/4" Swivel Gooseneck, 2.2 GPM Aerator, 4' Vinyl Hose Sidespray w/ Hose Guide & 1/2" NPT Male Inlets

Product Compliance:

ASME A112.18.1 / CSA B125.1
NSF 61 - Section 9
NSF 372 (Low Lead Content)
ANSI A117.1 (ADA)



T&S BRASS AND BRONZE WORKS, INC.

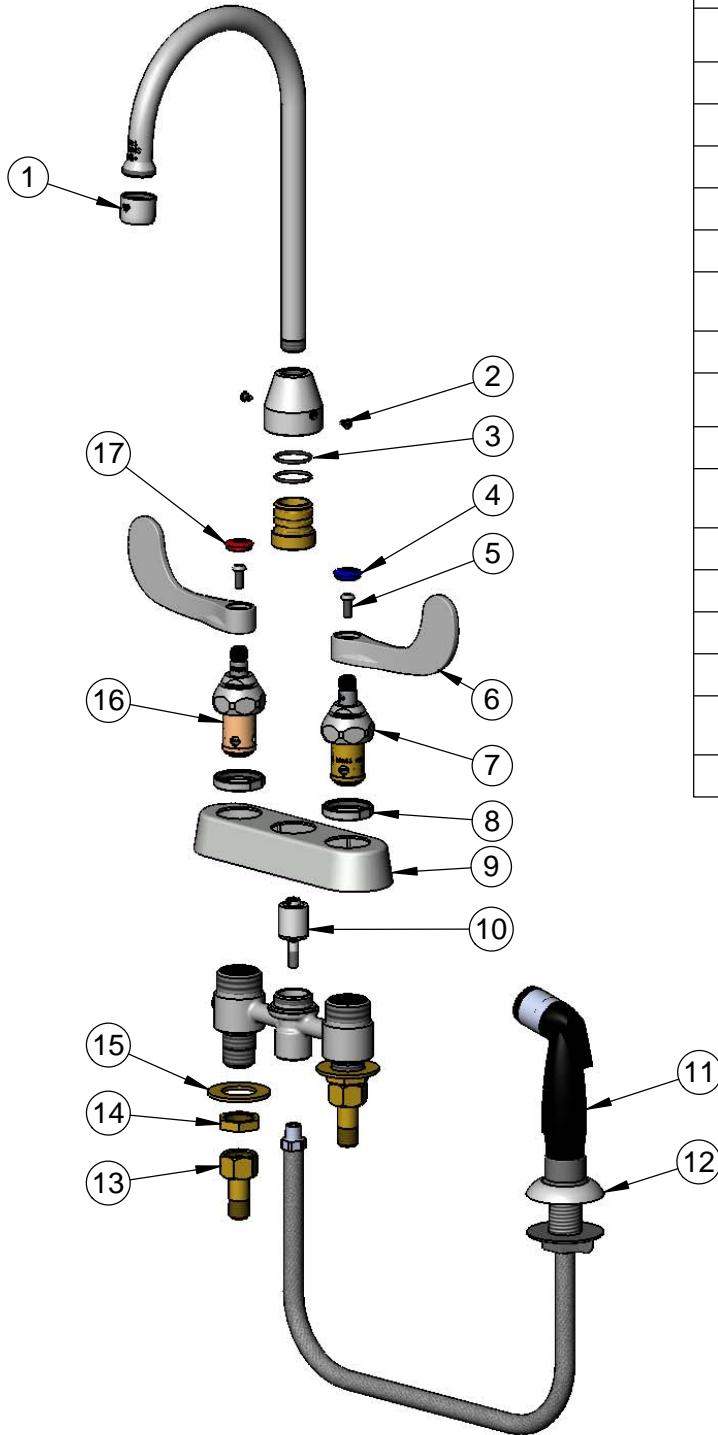
2 Saddleback Cove / P.O. Box 1088
Travelers Rest, SC 29690

Model No.

B-1170

Item No.

Travelers Rest, SC: 800-476-4103 • Simi Valley, CA: 800-423-0150 • Fax: 864-834-3518 • www.tsbrass.com



| ITEM NO. | SALES NO. | DESCRIPTION |
|----------|-----------|--|
| 1 | B-0199-01 | 2.2 GPM Aerator, 55/64"-27 UN Female |
| 2 | 001486-45 | Diverter Cover Screw |
| 3 | 001069-45 | O-ring |
| 4 | 019363-45 | Blue Button Index, Press-in |
| 5 | 000925-45 | Lab Handle Screw |
| 6 | 019362-45 | Wrist Action Handle (New Style) |
| 7 | 019382-40 | Quarter-Turn New Style Eterna Cartridge w/ Spring Check, LTC |
| 8 | 019376-40 | Escutcheon Lock Nut |
| 9 | 019374-40 | B-1110 Eterna Workboard Escutcheon |
| 10 | 002338-45 | Valve Diverter Piston |
| 11 | 001495-45 | Sidespray w/ 4' Vinyl Hose & Hose Guide |
| 12 | 001496-45 | Hose Guide |
| 13 | 150A | 1/4" NPT Tailpiece & Nut |
| 14 | 002954-45 | Shank Lock Nut |
| 15 | 000999-45 | Brass Lock Washer |
| 16 | 019383-40 | Quarter-Turn New Style Eterna Cartridge w/ Spring Check, RTC |
| 17 | 019364-45 | Red Button Index, Press-in |

Product Specifications:

4" Deck Mount Workboard Faucet, Quarter-Turn Eterna Cartridges w/ Spring Checks, 4" Wrist Action Handles, 5 3/4" Swivel Gooseneck, 2.2 GPM Aerator, 4' Vinyl Hose Sidespray w/ Hose Guide & 1/2" NPT Male Inlets

Product Compliance:

ASME A112.18.1 / CSA B125.1
NSF 61 - Section 9
NSF 372 (Low Lead Content)
ANSI A117.1 (ADA)