



VALPRO COMMERCIAL REFRIGERATION

203 Kelsey Ln., Building G
Tampa, FL 33619
813-502-0300
Toll Free 1-888-VALPRO-8
www.ValproRefrigeration.com
sales@ValproRefrigeration.com

PROJECT:	
MODEL #:	
ITEM #:	QTY:
AVAILABLE W/H:	
APPROVAL:	

UNDERCOUNTER REFRIGERATOR 48" MODEL: HC-VPUCR48

We are proud to introduce the beautifully constructed **Valpro HC-VPUCR48 two door undercounter worktop commercial refrigerator**. Our two door unit offers large usable interior volume, durable stainless steel construction and superior energy efficiency. This model will provide many years of worry free service and delivers cost saving Energy Star efficiency. This unit uses natural hydrocarbon R600A refrigerant as an environmentally responsible choice having low global warming potential and no potential for ozone depletion. All Valpro products are manufactured under strict ISO9001 standards for quality assurance, and to consistently deliver to our customers products that satisfy all expectations. All our products are operated, extensively monitored, and undergo rigorous inspection prior to packaging and shipping.



* Compressor warranty 2 year parts & labor / 3 additional year warranty compressor part only



KEY FEATURES

- Durable stainless steel exterior, (top, front and sides)
- Interior 304 stainless steel floor and white interior ABS liner
- Heavy duty worktop surface
- Energy Star rated efficiency and ETL certified to NSF Standard 7
- Self-contained refrigeration system uses environmentally friendly R600A refrigerant
- Larger efficient ECM fan motors with larger fan blades for superior air flow providing faster recovery times
- High density 2.4" foamed in-place CFC and HCFC free polyurethane insulation
- Self closing doors with remain open feature past 90° for easy access loading and unloading
- Snap-in magnetic door gaskets removable and replaceable without tools for ease of cleaning
- Two heavy duty, epoxy coated wire shelf (one per section) supported by stainless steel pilasters for easy adjustability
- Electronic thermostat digitally controlled temperature system maintains optimum temperature with easily viewed LED display
- Automatic condensate evaporation system
- Four casters, front locking, make it easy to maneuver and clean underneath



Model:
HC-VPUCR48

48" Undercounter Refrigerator

Two Section - 12 cu. ft. Capacity

Technical Data

Dimensional Data

Exterior Dimensions	48.2"W x 29.9"D x 35.5"H
Interior Dimensions	43.5"W x 24.9"D x 24.2"H
Net Storage Capacity	12 cu. ft.
Net Weight	256 lbs.
Crated Weight	280 lbs.
Shipping Dimensions	49.8"W x 31.5"D x 38.2"H

Refrigeration Data

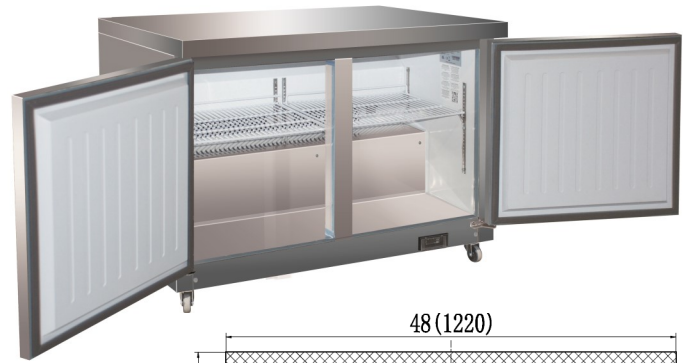
Temperature Range	33°F - 41°F
Refrigerant	R600A
Refrigerating System	Capillary Tube
Temperature Controller	Digital
Horsepower	3/8

Construction Data

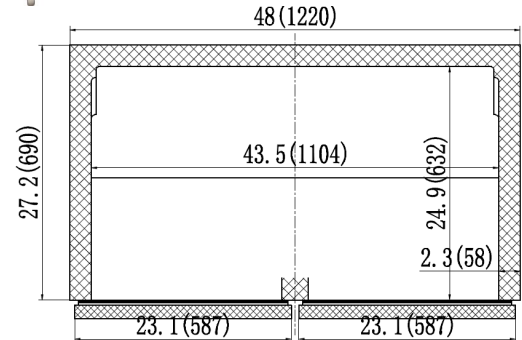
Exterior Material	430 Series Stainless Steel
Interior Floor Material	304 Series Stainless Steel
Interior Wall Material	White ABS Liner
Insulation	2.4" CFC Free Polyurethane
Shelves	2 Heavy Duty Epoxy Coated

Electrical Data

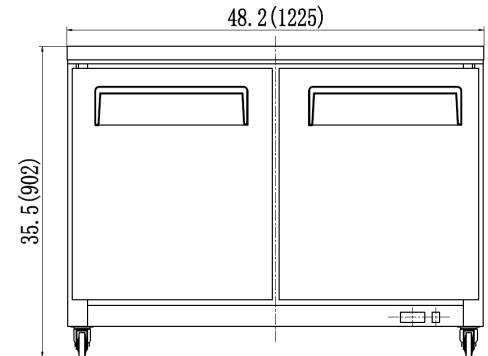
Amps	3
Voltage/Frequency/Phase	115V/60Hz/1
Plug Type	NEMA 5-15P
Electrical Cord Length	10 ft.



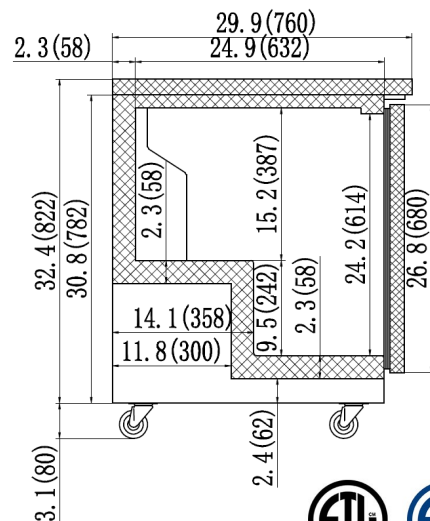
PLAN VIEW



FRONT VIEW



SIDE VIEW



Intertek

Intertek

ENERGY STAR

Valpro Commercial Refrigeration
203 Kelsey Ln., Building G
Tampa, FL 33634



Tel: 813-502-0300
1-888-VALPRO-8
www.valprorefrigeration.com