



T&S BRASS AND BRONZE WORKS, INC.

2 Saddleback Cove / P.O. Box 1088
Travelers Rest, SC 29690

Model No.

B-2331

Item No.

Travelers Rest, SC: 800-476-4103 • Simi Valley, CA: 800-423-0150 • Fax: 864-834-3518 • www.tsbrass.com

This Space for Architect/Engineer Approval

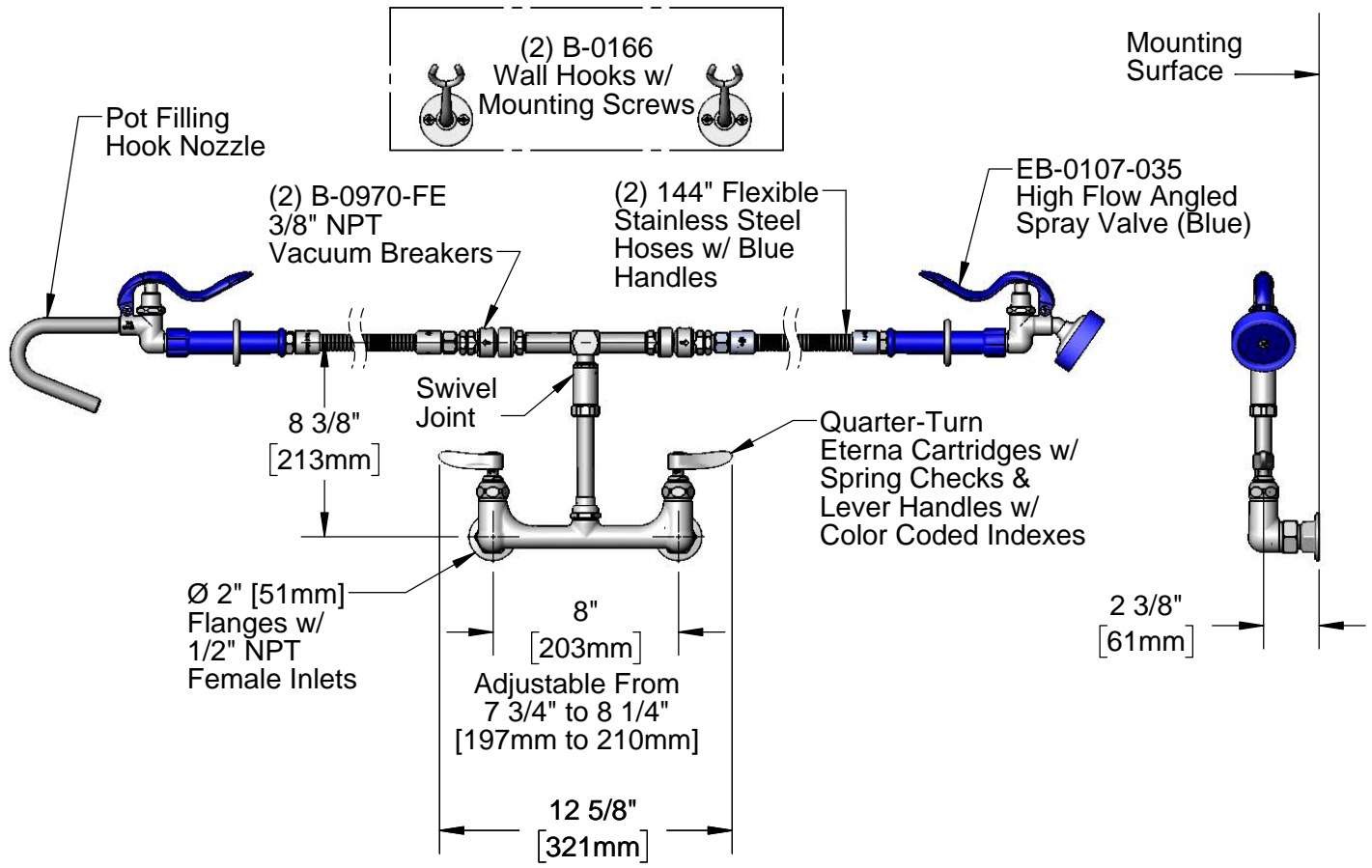
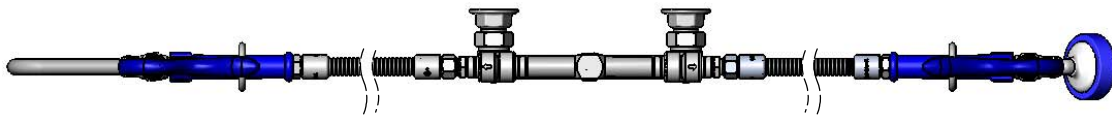
Job Name _____ Date _____

Model Specified _____ Quantity _____

Customer/Wholesaler _____

Contractor _____

Architect/Engineer _____



Product Specifications:

8" Wall Mount Kettle Kaddy Mixing Faucet, Quarter-Turn Eterna Cartridges w/ Spring Checks, Lever Handles, (2) 3/8" NPT Vacuum Breakers, (2) 144" Flexible Stainless Steel Hoses, Hook Nozzle, High Flow Angled Spray Valve & 1/2" NPT Female Inlets

Product Compliance:

ASME A112.18.1 / CSA B125.1
NSF 61 - Section 9
NSF 372 (Low Lead Content)
EPA Act 2005 Non-Compliant (PRSV)
CSA B64.8 (VB)



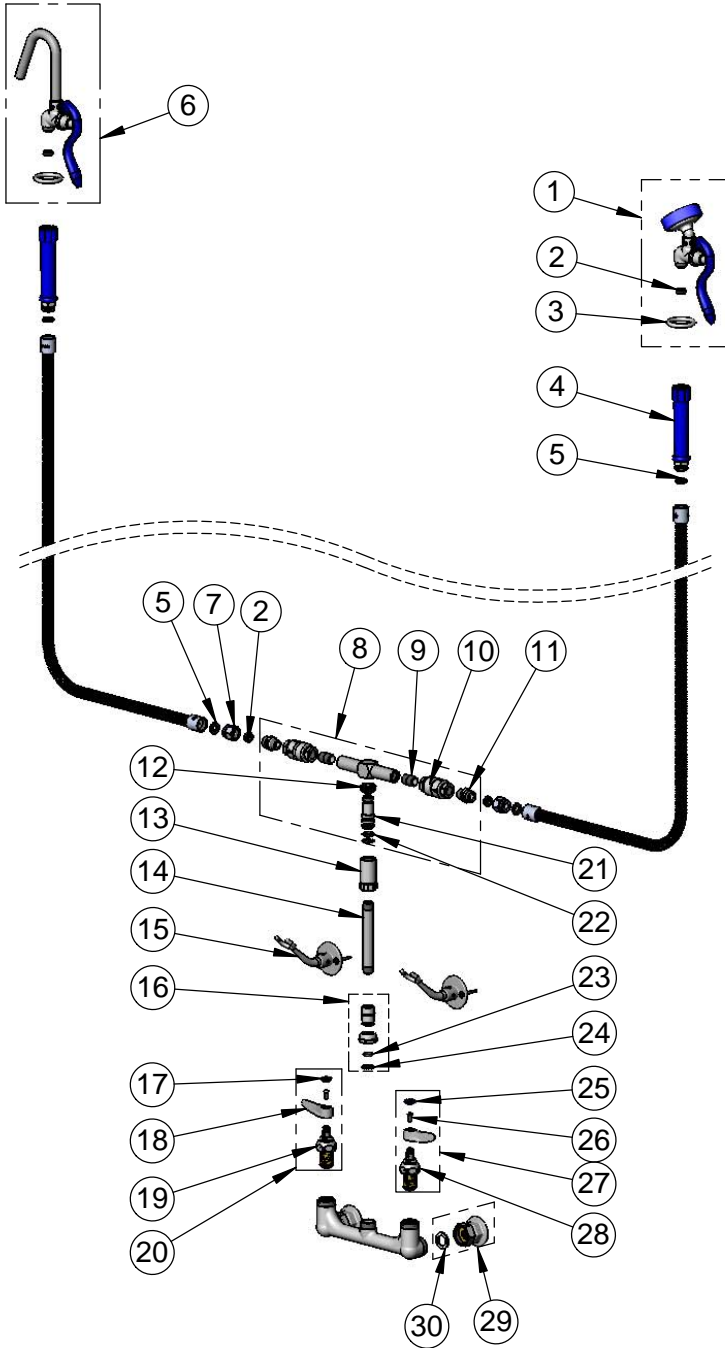
T&S BRASS AND BRONZE WORKS, INC.
 2 Saddleback Cove / P.O. Box 1088
 Travelers Rest, SC 29690

Model No.
B-2331

Item No.

Travelers Rest, SC: 800-476-4103 • Simi Valley, CA: 800-423-0150 • Fax: 864-834-3518 • www.tsbrass.com

ITEM NO.	SALES NO.	DESCRIPTION
1	EB-0107-035	High Flow Angled Spray Valve (Blue)
2	010476-45	#27 Washer
3	000907-45	Spray Valve Hold Down Ring
4	011482-40	Blue Grip Handle
5	001014-45	Washer, B-0100 Hose Barrel
6	012952-40	Blue Spray Valve w/ Hook Nozzle
7	000729-40	Nut, 7/8-20 Male x 3/4-14 Female
8	009177-40	Swivel Tee w/ Vacuum Breakers
9	002535-25	Close Nipple, 3/8" NPT
10	B-0970-FE	3/8" NPT Vacuum Breaker
11	053A	Adapter, 3/8" NPT Male
12	000735-40	Swivel Nut
13	000591-25	Swivel Body, 3/8 NPT
14	000361-40	3/8" NPT x 5" Nipple
15	B-0166	Wall Hook
16	EZ-K	EasyInstall Kit
17	001193-19NS	Red Button Index, Press-in
18	001638-45NS	Lever Handle (New Style)
19	012443-40NS	Quarter-Turn Eterna Cartridge w/ Spring Check, RTC
20	002712-40NS	Quarter-Turn Eterna Cartridge w/ Spring Check, Handle, Red Index & Screw, RTC
21	000839-25	Swivel Stem, 3/8 NPT
22	001074-45	O-Ring
23	001065-45	O-Ring
24	014200-45	Star Washer, Anti-Rotation
25	018506-19NS	Blue Button Index, Press-in
26	000925-45	Lab Handle Screw
27	002711-40NS	Quarter-Turn Eterna Cartridge w/ Spring Check, Handle, Blue Index & Screw, LTC
28	0102442-40NS	Quarter-Turn Eterna Cartridge w/ Spring Check, LTC
29	00AA	1/2" NPT Female Eccentric Flange
30	001019-45	Coupling Nut Washer



Product Specifications:
 8" Wall Mount Kettle Kaddy Mixing Faucet, Quarter-Turn Eterna Cartridges w/ Spring Checks, Lever Handles, (2) 3/8" NPT Vacuum Breakers, (2) 144" Flexible Stainless Steel Hoses, Hook Nozzle, High Flow Angled Spray Valve & 1/2" NPT Female Inlets

Product Compliance:
 ASME A112.18.1 / CSA B125.1
 NSF 61 - Section 9
 NSF 372 (Low Lead Content)
 EPA Act 2005 Non-Compliant (PRSV)
 CSA B64.8 (VB)



Architect/Engineering Specifications:

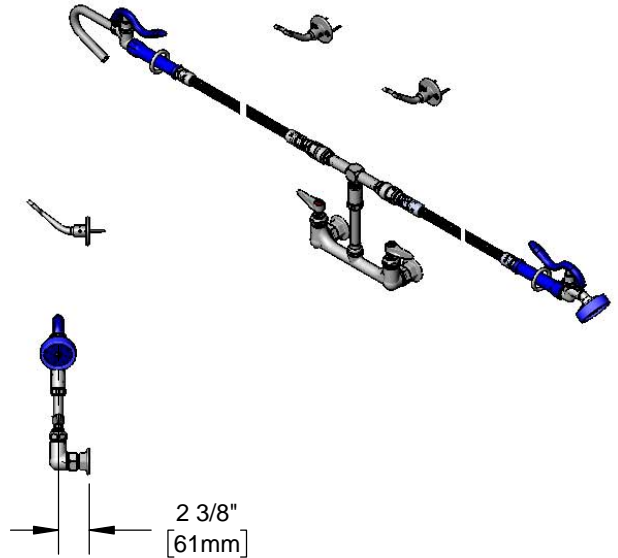
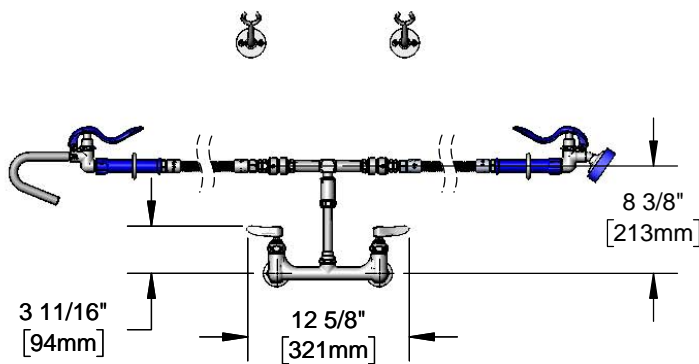
8" wall mount mixing faucet with chrome plated brass body, 5" riser, swivel tee with continuous pressure vacuum breakers, 144" flexible stainless steel hoses with heat resistant handles, high flow angled spray valve, spray valve with hook nozzle, compression cartridges with spring checks, lever handles and wall hooks. Certified to ASME A112.18.1/CSA B125.1, NSF 61-Section 9 and NSF 372.

Job Name _____

Model Specified _____ Quantity _____

Variations Specified _____

Date _____



Features & Benefits:

- 8" wall mount mixing faucet w/ polished chrome plated brass body
- Swivel tee w/ 5" EasyInstall riser
- Continuous pressure vacuum breakers
- 144" flexible stainless steel hoses with heat resistant blue handles and hold down rings
- High flow spray valve
- Spray valve with hook nozzle
- Quarter-turn Eterna compression cartridges w/ spring checks to prevent cross flow of water
- Lever handles w/ color coded indexes
- Two wall hooks w/ mounting screws
- Material: Polished chrome plated brass body, riser, swivel tee and spray valve bodies, chrome plated vacuum breakers, chrome plated metal handles and stainless steel hose

Product Compliance:

- ASME A112.18.1 / CSA B125.1
- NSF 61 - Section 9
- NSF 372 (Low Lead Content)
- EPA Act 2005 Non-Compliant (PRSV)
- CSA B64.8 (VB)



Warranty: One Year (Limited)

Performance Data:

- Pressure: 20 - 125 psi
- Temperature: 40 °F - 140 °F
- Flow Rate:
 - Spray Valve: 2.68 GPM @ 60 psi
 - Hook Nozzle: 3.16 GPM @ 60 psi

Optional Handles

- 4" Wrist Action
- Lever (Standard)
- 4-Arm

Optional Pre-Rinse Spray Valves

- B-0107 (1.42 GPM)
- B-0107-C (0.65 GPM)
- B-0107-J (1.07 GPM)
- B-0108 (1.48 GPM)
- B-0108-C (0.65 GPM)

Optional Cartridges With Checks

- Quarter-Turn Cerama w/ Check Valve
- Quarter-Turn Eterna w/ Spring Check (Standard)

