

## Open Merchandisers 35E Series - 60" - Endless Design - Produce



Model No.	Description	Length	Depth	Height	Voltage	Amps	HP/BTUs	Power Cord	Est. Ship Weight
<b>SC-OP35E-3L-LED</b>	Self Contained	39"	34.5"	60"	115	14.0	1/2	5-20P	655
<b>SC-OP35E-4L-LED</b>	Self Contained	51"	34.5"	60"	115	15.0	1/2	5-20P	685
<b>SC-OP35E-5L-LED</b>	Self Contained	63"	34.5"	60"	115/208-230	16.0	3/4	L14-20P	768
<b>SC-OP35E-6L-LED</b>	Self Contained	75"	34.5"	60"	115/208-230	16.0	3/4	L14-20P	850
<b>R-OP35E-3L-LED</b>	Remote	39"	34.5"	60"	115	2.0	3550	No	520
<b>R-OP35E-4L-LED</b>	Remote	51"	34.5"	60"	115	3.0	4733	No	550
<b>R-OP35E-5L-LED</b>	Remote	63"	34.5"	60"	115	4.0	5917	No	630
<b>R-OP35E-6L-LED</b>	Remote	75"	34.5"	60"	115	4.0	7100	No	710
<b>R-OP35E-8L-LED</b>	Remote	39"	36.5"	60"	115	6.0	9466	No	1100
<b>R-OP35E-10L-LED</b>	Remote	51"	36.5"	60"	115	7.0	11833	No	1260
<b>R-OP35E-12L-LED</b>	Remote	75"	36.5"	60"	115	8.0	14200	No	1420

MODEL NUMBER PREFIX - SC = Self Contained R = Remote

MODEL NUMBER SUFFIX - W = White B = Black S = Stainless Steel LED = LED lighting

- Cases are designed to operate at 75 degrees Fahrenheit and 55% relative humidity
- Cases are equipped with drains; check your local building codes for connection requirements.
- Specification subject to change without notice

IF COLORS ARE MIXED AN ADDITIONAL CHARGE WILL APPLY



## Open Merchandisers 35E Series – 60"H – Endless Design – Produce

### Standard Specifications and Optional Features

#### CONSTRUCTION

- UL Classified to ANSI/NSF 7
- Foamed in place CFC free foam
- Heavy gauge steel super structure
- Multi deck
- Endless design allows for continuous line up

#### INTERIOR

- White, black, or stainless steel end panels
- Removable white, black, or stainless steel floor pans
- White, black, or stainless steel perforated rear wall (for even air distribution)
- Full length lighting at top of unit
- 1 levels of shelving
- 2 levels of product display
- Full length mirror to enhance product display
- Stylish price tag molding on each shelf
- 3" Product stop on each shelf

#### EXTERIOR

- White, black, or stainless steel ends and front
- Removeable front grill allows for cleaning and servicing
- 1" bumper
- Choice of end panels

#### FINISHES

- White, black, or stainless steel front rail
- White, black, or stainless steel end trim
- Laminate, and custom paints available
- White, black, or stainless steel end panels
- White, black, or stainless steel rear panels

#### LIGHTING

- 1 row at inside top of unit
- 1 row of lighted shelving

#### ELECTRICAL REQUIREMENTS

- Self contained unit comes with cord and plug
- UL/CUL listed
- See Tech page for details on voltage

#### REFRIGERATION

- Self Contained; - expansion valve system
- Remote; R448A expansion valve system
- Low velocity fans located below deck area (to insure even flow of air)
- Electronic Control System with automatic air defrost to maintain balanced temperatures
- New high efficiency air screen technology
- Self contained system
- Copeland hermetic unit
- Remotes available

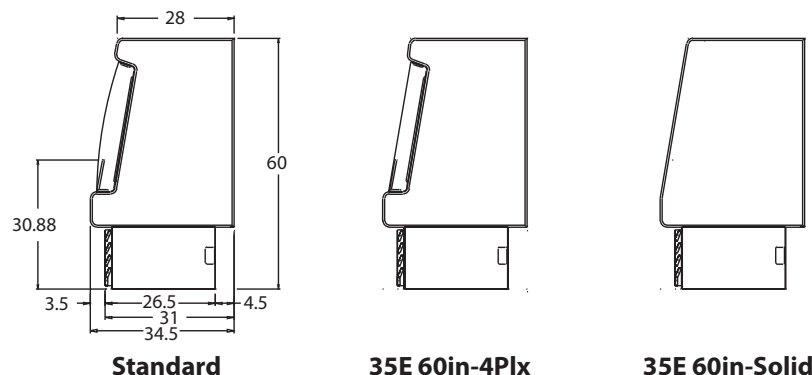
#### OPTIONAL FEATURES

- Solid state lighting
- Night covers
- Security cover
- Peg bars
- Step shelves
- Insulated divider for line ups
- Plexiglas divider for line ups
- Stainless steel, laminated or paint
- Plexiglas divider for line ups
- Choice of end panels
- Digital thermometer

#### Important Note:

**All refrigerated cases are designed to operate in an environment of 75 degrees and 55% relative humidity. Product must be cooled before being displayed within the case.**

#### DRAIN IS REQUIRED



## Open Merchandisers 35E Series – 60"H – Endless Design – Produce Technical Data

Model No.	SC R	SC-OP35E-3L-LED R-OP35E-3L-LED	SC-OP35E-4L-LED R-OP35E-4L-LED	SC-OP35E-5L-LED R-OP35E-5L-LED	SC-OP35E-6L-LED R-OP35E-6L-LED	R-OP35E-8L-LED	R-OP35E-10L-LED	R-OP35E-12L-LED
Length with (2) ends		39"	51"	63"	75"	99"	123"	147"
Length without ends		36"	48"	60"	72"	96"	120"	144"
Height with ends		60"	60"	60"	60"	60"	60"	60"
Height without ends		59.5"	59.5"	59.5"	59.5"	59.5"	59.5"	59.5"
Depth with ends		34.5"	34.5"	34.5"	34.5"	36.5"	36.5"	36.5"
Depth without ends		34"	34"	34"	34"	34"	34"	34"
Endless design		YES	YES	YES	YES	YES	YES	YES
(Dimensions are +/- 1/4") Operating temperature		38°F to 40°F	38°F to 40°F	38°F to 40°F	38°F to 40°F	38°F to 40°F	38°F to 40°F	38°F to 40°F
Refrigerant (expansion valve)	SC/R	R448A / -	R448A / -	R448A / -	R448A / -	R448A	R448A	R448A
Compressor size HP	SC	1/2	1/2	3/4	3/4	3/4	3/4	3/4
Defrost per day (24 hours)	Air Defrost	6 per day	6 per day	6 per day	6 per day	6 per day	6 per day	6 per day
BTU's at +20°F Evap. Temp.	R	3550	4733	5917	7100	9466	11833	14200
Voltage	SC	115	115	115/208-230	115/208-230			
Amperage	SC	14.0	15.0	16.0	16.0			
Remote Voltage	R	115	115	115	115	115	115	115
Amperage, lights & fans only	R	2.0	3.0	4.0	4.0	6.0	7.0	8.0
Cord and plug	SC	5-20P	5-20P	L14-20P	L14-20P			
	R	NO	NO	NO	NO	NO	NO	NO
Exterior color		W,B,S	W,B,S	W,B,S	W,B,S	W,B,S	W,B,S	W,B,S
Interior color		W,B,S	W,B,S	W,B,S	W,B,S	W,B,S	W,B,S	W,B,S
# of rows / shelves		1/1	1/1	1/2	1/2	1/2	1/2	1/2
Shelf Size		(1) 16"	(1) 16"	(2) 16"	(2) 16"	Call for Info	Call for Info	Call for Info
Shipping Info								
Height		65"	65"	65"	65"	65"	65"	65"
Depth		44"	44"	44"	44"	44"	44"	44"
Length		61"	61"	Call for Info	86"	Call for Info	Call for Info	Call for Info
Gross weight (SC/R)		655/520	685/550	768/710	850/710	1100	1260	1420
Cubic feet		100	100	Call for Info	142	Call for Info	Call for Info	Call for Info

**(ALL WHITE OR ALL BLACK, NO EXTRA CHARGE—IF COLORS ARE MIXED AN ADDITIONAL CHARGE WILL APPLY)**

**Prefix**

SC = Self Contained  
R = Remote

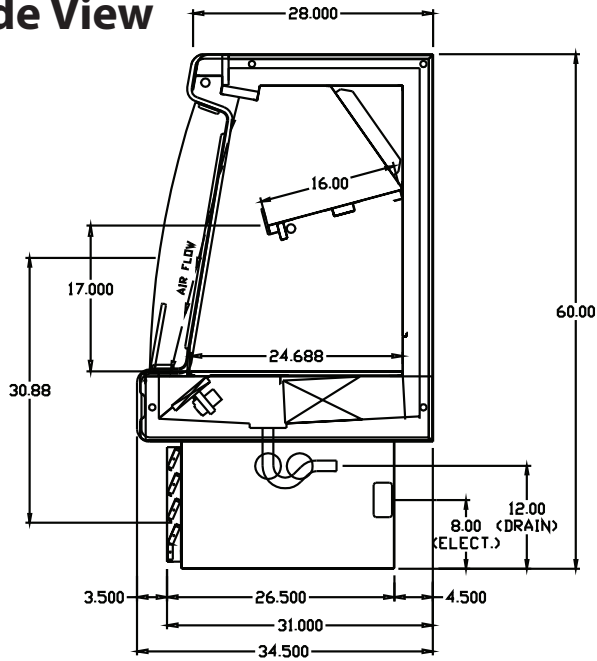
**Suffix**

B = Black  
W = White  
S = Stainless Steel  
LED = LED lighting

- Cases are designed to operate at 75 degrees Fahrenheit and 55% relative humidity
- Cases are equipped with drains; check your local building codes for connection requirements.
- Specification subject to change without notice

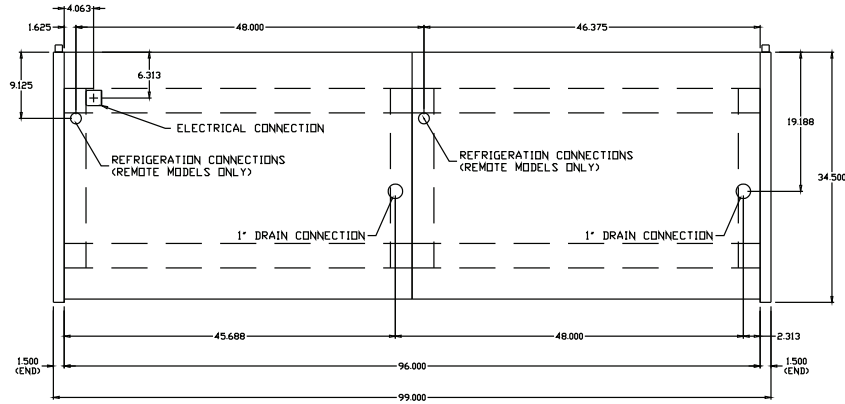
## Open Merchandisers 35E Series – 60" – Endless Design – Produce Technical Data • Side View • Plan View

### Side View

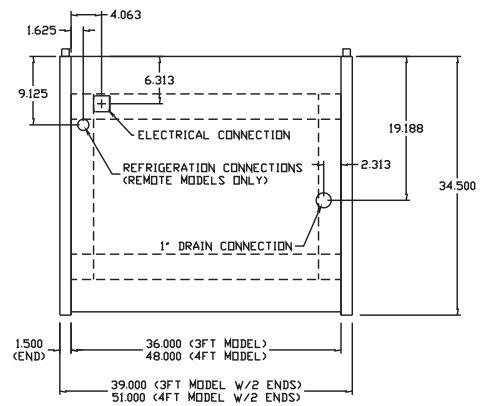


### Floor Plan Views

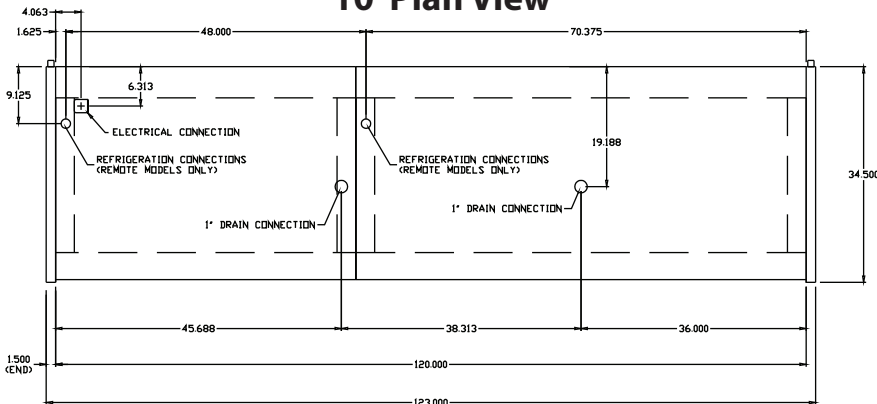
#### 8' Plan View



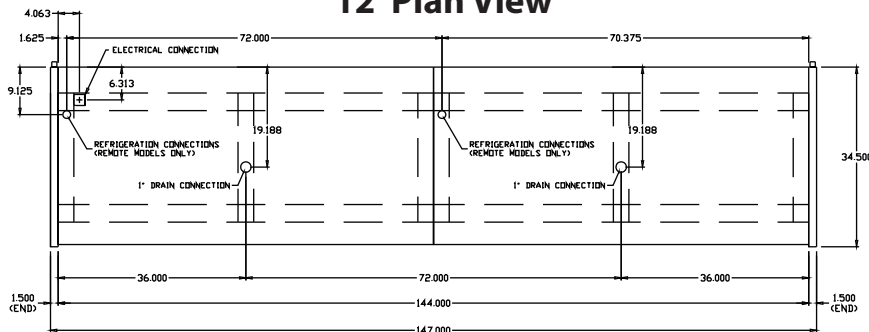
#### 3' & 4' Plan Views



#### 10' Plan View



#### 12' Plan View



#### 5' & 6' Plan Views

