



Item #

## **ULTRAFRYER® 14" Vat Cover**

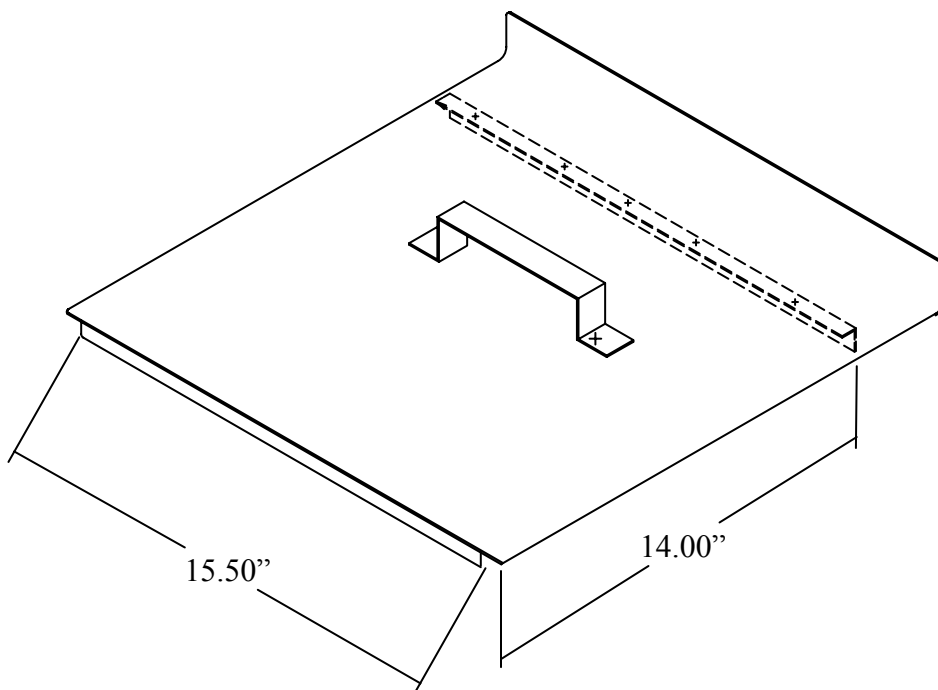


### ***BENEFITS***

- ***All stainless steel construction***
- ***NSF acceptable construction and finish***

Ultrafryer® Systems presents the vat cover, designed to protect the contents of your vat from pests and airborne debris.

# ULTRAFRYER® 14" Vat Cover



## SPECIFICATIONS

<b>Fryer Vat Size:</b>	14"
<b>Shipping Weight:</b>	3.60 lbs.

Built to N.S.F. standard #3 in construction and finish.

Vat Cover is constructed of 18 gauge stainless steel.

Handles are 18 gauge stainless steel.



Due to continuing engineering development and improvements, specifications are subject to change without notice.  
© May 2006, Ultrafryer Systems, Inc.