

"PBF-SLF" HEAVY DUTY FAUCETS

Low-Lead, Splash Mount w/Swing Spout, 8" O.C.

FEATURES:

- Heavy Duty Double Seat 1/4" Turn Ceramic Cartridges
- Color Coded Hot & Cold Indicators
- Double O-Ring Spout Seal
- High Polished Triple Dipped Chrome Finish
- Integral Check Valve
- Lead Free Compliant

CERTIFICATIONS:



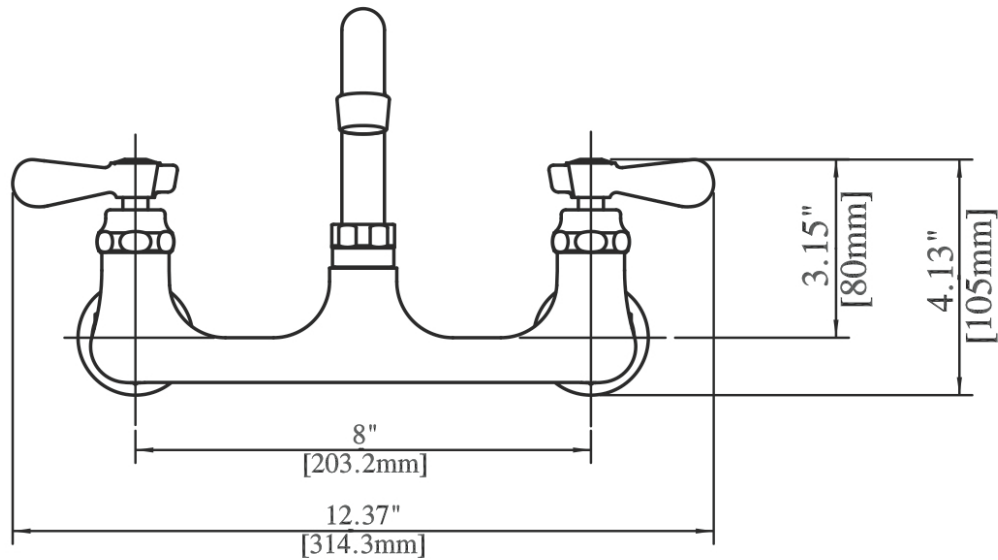
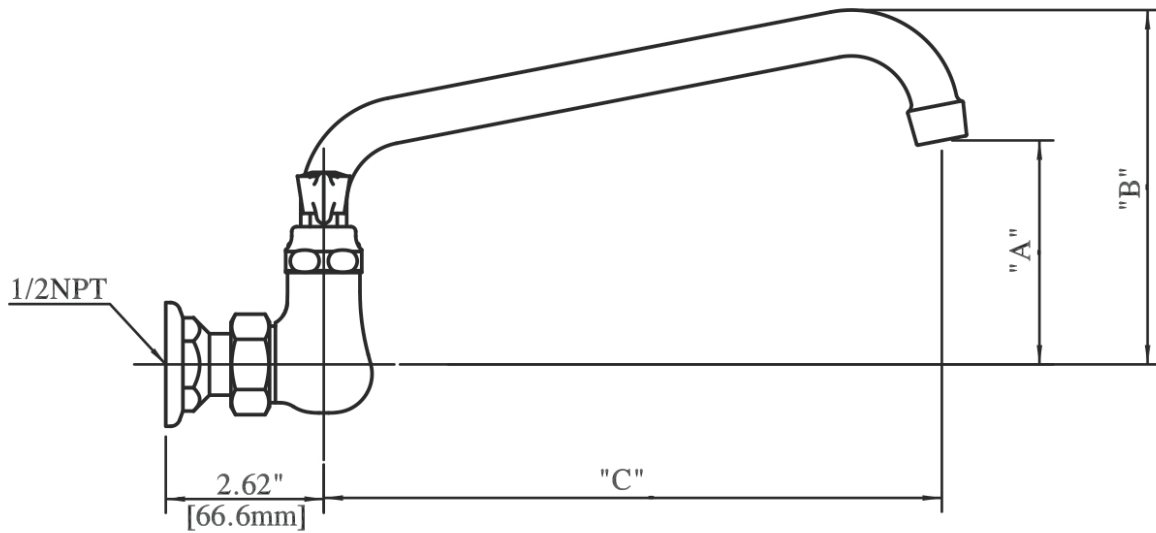
PBF-8-SLF

"PBF-SLF" LOW-LEAD HEAVY DUTY FAUCETS

MODEL	SWING LENGTH	A	B	C	WEIGHT (LBS)
PBF-8-SLF	8"	2.75"	5"	8"	6
PBF-10-SLF	10"	2.69"	5.38"	10"	7
PBF-12-SLF	12"	3.56"	5.75"	12"	7
PBF-14-SLF	14"	3.38"	6.14"	14"	8
PBF-16-SLF	16"	4.31"	6.56"	16"	9

ALL DIMENSIONS ARE TYPICAL. TOLERANCE +/- .500". JOHN BOOS & CO. RESERVES THE RIGHT TO CHANGE SPECIFICATIONS WITHOUT NOTICE.

DETAILED SPECIFICATIONS



"PBF-SLF" LOW-LEAD HEAVY DUTY FAUCETS

MODEL	SWING LENGTH	A	B	C	WEIGHT (LBS)
PBF-8-SLF	8"	2.75"	5"	8"	6
PBF-10-SLF	10"	2.69"	5.38"	10"	7
PBF-12-SLF	12"	3.56"	5.75"	12"	7
PBF-14-SLF	14"	3.38"	6.14"	14"	8
PBF-16-SLF	16"	4.31"	6.56"	16"	9

ALL DIMENSIONS ARE TYPICAL. TOLERANCE +/- .500". JOHN BOOS & CO. RESERVES THE RIGHT TO CHANGE SPECIFICATIONS WITHOUT NOTICE.