

"PB-DIS1014" PRO-BOWL HAND SINKS

Drop-In, (1) 10"x14"x5" or 10" Deep Bowl

FEATURES:

- One Piece Deep Drawn Bowl
- All Sink Bowls Have Large Liberal Radii Corners
- Includes Basket Drain
- Deck Mount Faucet Holes - 4" On-Center

SPECIFICATIONS:

- Bowl: Stainless Steel Tops Are TIG Welded, Exposed Welds Are Polished To Match Adjacent Surface
- Bowl: Type 300 Stainless Steel Polish, Satin Finish
- Bracket: Type 300 Stainless Steel Polish, Satin Finish
- Drain: 3-1/2" Drain Opening, With 1-1/2" NPS Outlet Connection

CERTIFICATIONS:



PB-DISINK101405



PB-DISINK101410

ACCESSORIES

MODEL

Faucets

Side Splash

ADA Wrist Blades

Towel Dispenser

Lever Wastes

Over Flows

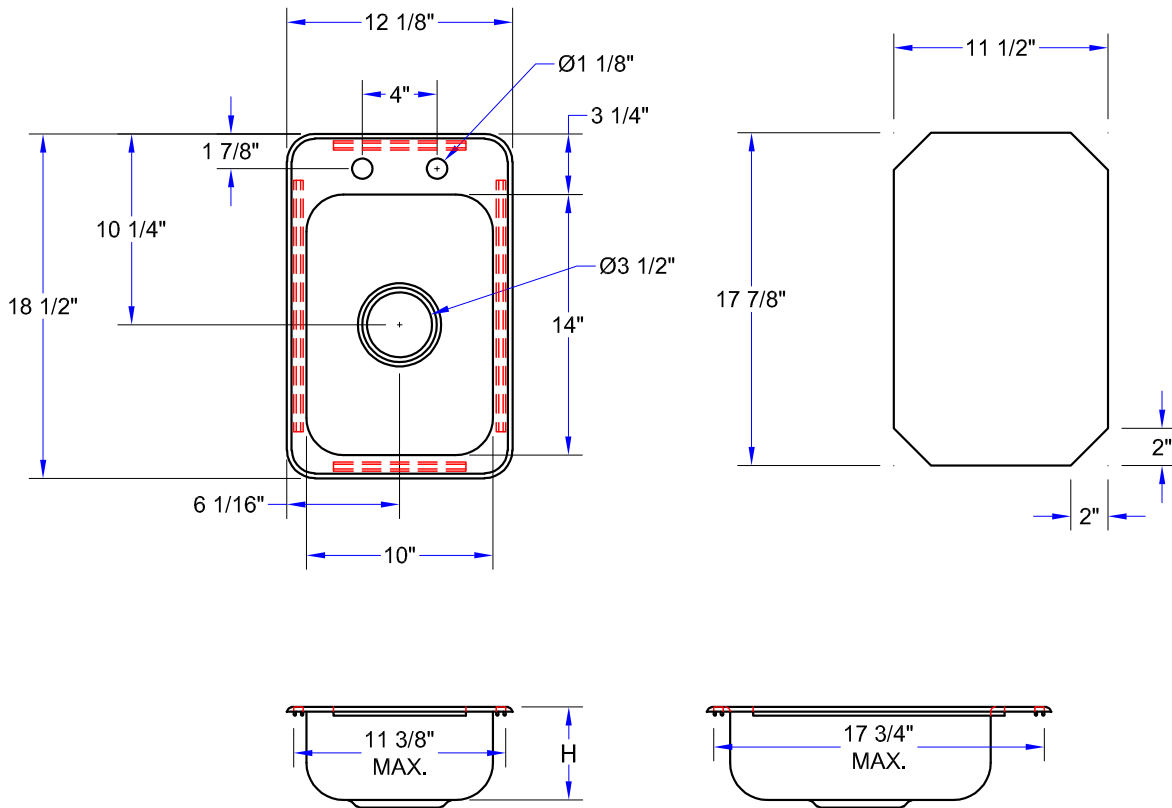
P-Traps

"PB-DIS1014" PRO-BOWL HAND SINKS

| MODEL | BOWL SIZE (L X W X H) | OVERALL SINK SIZE (L X W X H) | WEIGHT (LBS) |
|-----------------|-----------------------|-------------------------------|--------------|
| PB-DISINK101405 | 10"x14"x5" | 12-1/8"x18-1/2"x5" | 10 |
| PB-DISINK101410 | 10"x14"x10" | 12-1/8"x18-1/2"x10" | 14 |

ALL DIMENSIONS ARE TYPICAL. TOLERANCE +/- .500". JOHN BOOS & CO. RESERVES THE RIGHT TO CHANGE SPECIFICATIONS WITHOUT NOTICE.

DETAILED SPECIFICATIONS



"PB-DIS1014" PRO-BOWL HAND SINKS

| MODEL | BOWL SIZE (L X W X H) | OVERALL SINK SIZE (L X W X H) | WEIGHT (LBS) |
|-----------------|-----------------------|-------------------------------|--------------|
| PB-DISINK101405 | 10"x14"x5" | 12-1/8"x18-1/2"x5" | 10 |
| PB-DISINK101410 | 10"x14"x10" | 12-1/8"x18-1/2"x10" | 14 |

ALL DIMENSIONS ARE TYPICAL. TOLERANCE +/- .500". JOHN BOOS & CO. RESERVES THE RIGHT TO CHANGE SPECIFICATIONS WITHOUT NOTICE.