

Project \_\_\_\_\_

Item Number \_\_\_\_\_

Quantity \_\_\_\_\_

**Hand Mixer**



**Vortex Variable Speed Hand Mixer**

**Models: Vortex750**

**Features:**

- Easy connect shaft coupling
- Prepares mixtures, soups and sauces
- Liquefies soups, purees fruits and vegetables directly in the cooking pot
- Lightweight and designed to reduce muscle strain and fatigue
- Highly effective cooling system
- Sturdy and light weight fiberglass ABS body
- Fixed and variable speed controls available
- Safety device preventing switching on by mistake
- Trigger switch for continuous blending
- IPX3 protection
- Cutlery steel knives
- Completely stainless steel shaft and bell

**Optional Features:**

- 18" shaft
- whisk
- whisk with metal gearing
- demountable and dishwashing safe whisk

**Warranty:**

- One year carry-in warranty

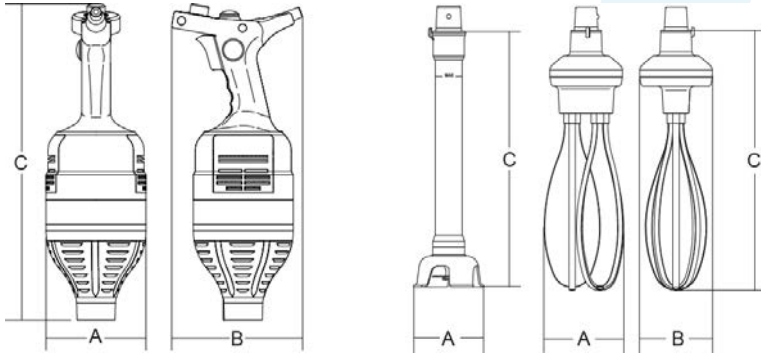
Cord Length: 9 Feet Long



**Univex Corporation**

# Hand Mixer

# VORTEX



## Hand Mixer Dimensions:

### Vortex750 Body:

- A 4.92"
- B 6.45"
- C 15.5"

### Shafts:

- A 3.93"
- C 18.0"

### Whisk:

- A 4.61"
- B 4.45"
- C 15.16"

**Working Capacity:**  
up to 210 Qts

\*Optional Whisk Attachment



**18" Shaft Shipping Box Dimensions:**  
23.23" x 9.06" x 5.91"

**Whisk Shipping Box Dimensions:**  
20.47" x 8.27" x 9.84"

## Electrical Information (60Hz)

NEMA #: 5-15-P

	Voltage Type	Voltage	Phase	hp(kW)	Watts	Hertz
Vortex750	Standard	120	1	.6	750	60

## Shipping Information

Net Weight	Shipping Weight	Overall Dimensions	Freight Class
8.8 lbs (3.9 kg)	9.9 lbs (4.5 kg)	5.9" (15 cm) H x 13" (33 cm) W x 17.3" (44 cm) D	85

