



**MODULAR BAR SYSTEM**

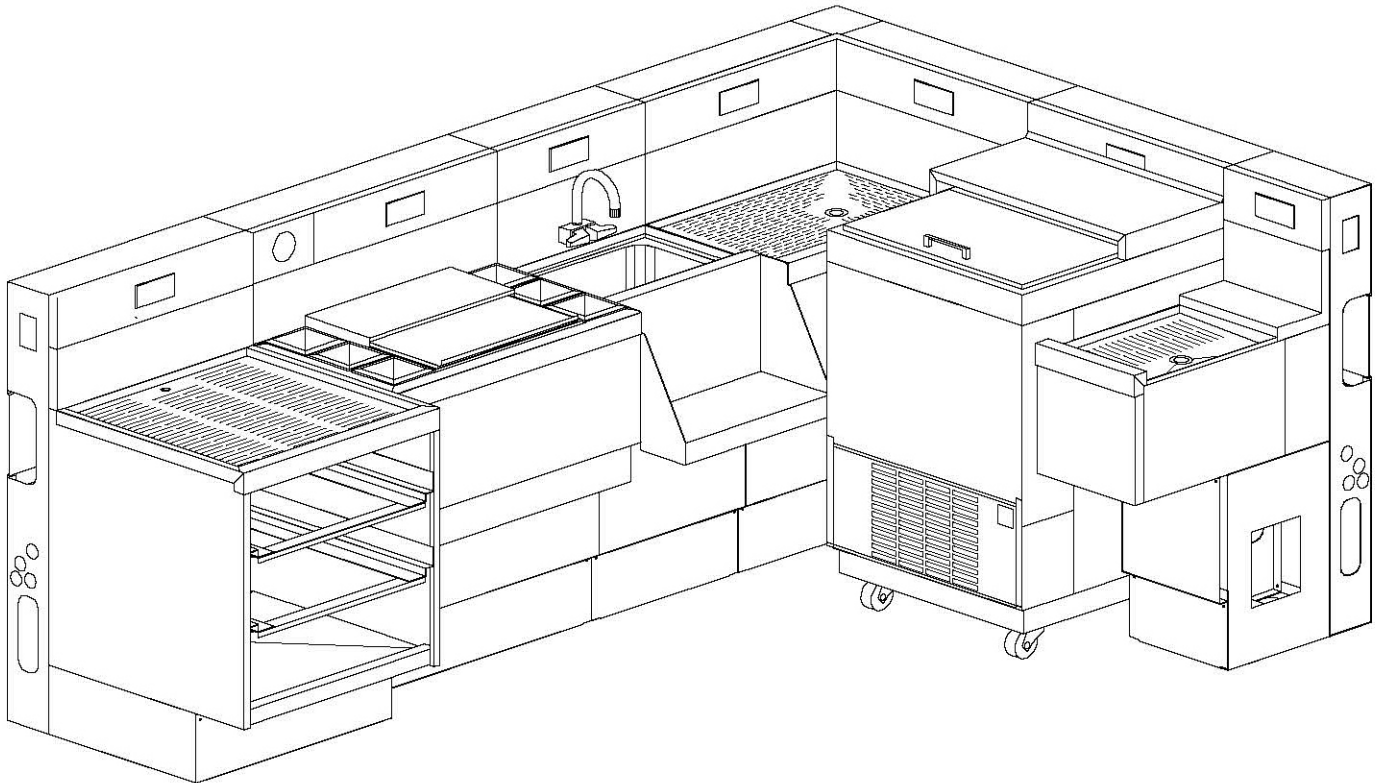


JOB	
AREA	
ITEM NO.	
MODEL NO.	

**Features:**

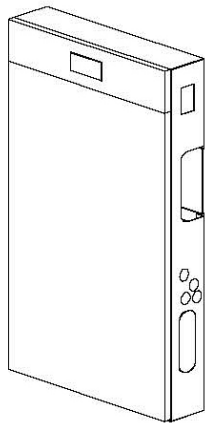
- Pre-engineered sections up to 81/2 feet assures exact fit, eliminates on-site adjustments.
- All metal construction conceals beverage and utility lines.
- Interior finish panel is adjustable for sealing to the floor.
- Set-in-place beverage line chase eliminates damage to insulated beverage lines.
- Bar front panels are easily removed for quick access to all utilities and beverage lines.
- Bar top and front panels can be prefabricated to reduce on-site millwork costs.
- Factory-installed faucets and drain sockets.
- Optional electrical outlets and fluorescent lighting.

<b>MODELS</b>
MBS Style

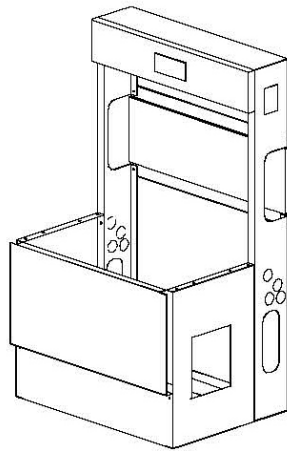


**Perlick® MODULAR BAR SYSTEM**

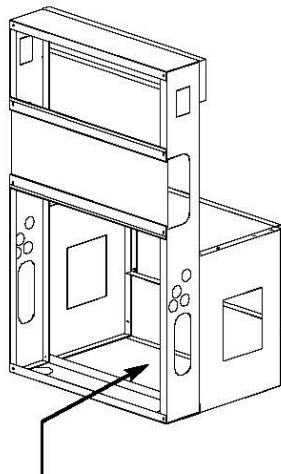
MODEL NOS.		MBS
GENERAL	<b>Structure:</b>	Configured to the exact size and shape of underbar equipment, freestanding cabinets and openings, as specified.
	<b>Chase</b>	An 8" x 3-1/2" beverage line chase runs the entire length of structure to include corners.
	<b>Millwork:</b>	By others.
MECHANICAL	<b>Utility Lines</b>	Dedicated chase locations for hot/cold water supply lines, beverage line conduits, and electrical conduit (accessible from customer's side of the bar.) This chase is accessible from the floor and runs the entire length of the bar.
	<b>Floor Drains</b>	Locate floor drains directly below workboard equipment. The number of floor drains will vary depending on the bar layout and local codes.
UTILITY	<b>Utilities</b>	A five inch (5") bar die behind the equipment, provides room for trunk lines, soda lines, plumbing, electrical, etc. to travel vertically or horizontally within the bar structure. Connections can be made from the front of the bar when panels are removed.
	<b>Plumbing &amp; Electrical</b>	All water service and waste connections can be made from the customer's side of the bar (decorative front panel removed). Local codes dictate installation (by others). All electrical requirements such as receptacle to blenders, washers, coolers, soda guns, lights, etc. are by others. Plug-in fluorescent lighting is optional. <b>Note: All Plumbing and Electrical must be installed in compliance with local codes.</b>
	<b>Electrical Cutouts</b>	Electrical cutouts with solid cover included in top filler strip of each section. One cutout included in sections up to 30". Sections over 30" include two cutouts.
MODULAR DESCRIPTION	<b>Cabinet Base</b>	Cabinet-style bases are used for underbar equipment which is typically mounted on 6" legs. It is not advisable to locate stub-ups under cabinet bases.
	<b>Pedestal Base</b>	Pedestal bases are used for equipment which is normally mounted on 18" legs. <b>Note: Plumbing and Electrical stub-ups should be located underneath pedestal bases.</b>
	<b>Flat Wall</b>	Flat walls are placed in sections where free-standing equipment will be located or to create an open space.



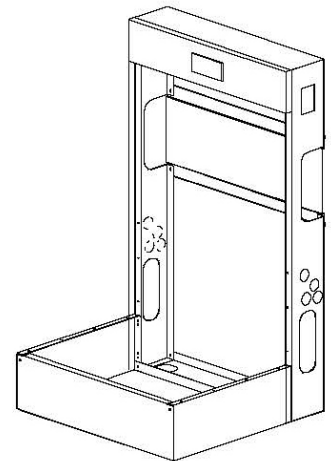
**FLAT WALL**



**PEDESTAL BASE**



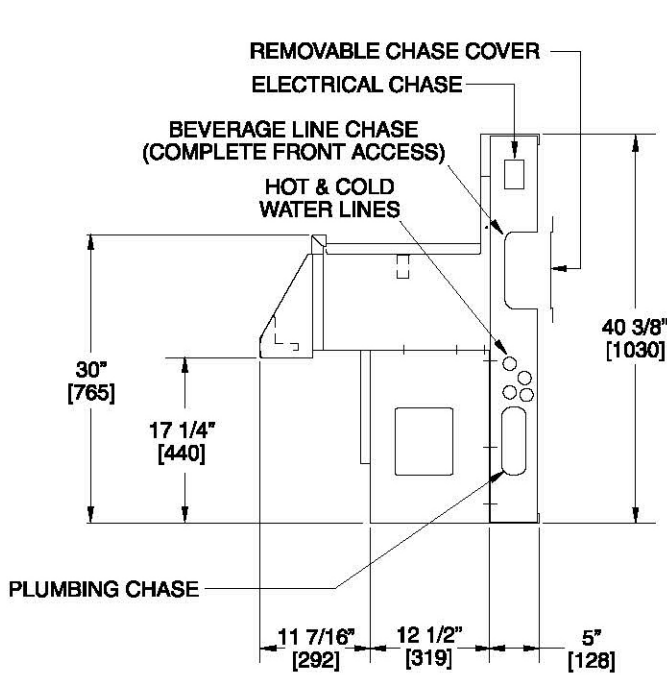
**STUB-UP LOCATION IN PEDESTAL BASE**



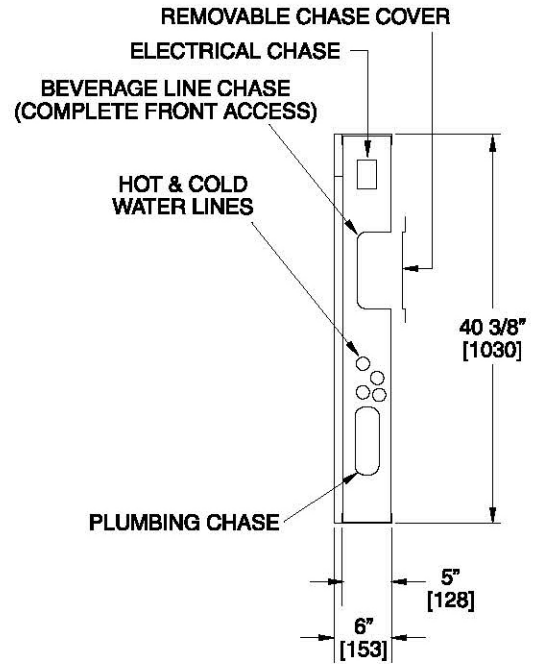
**CABINET BASE**



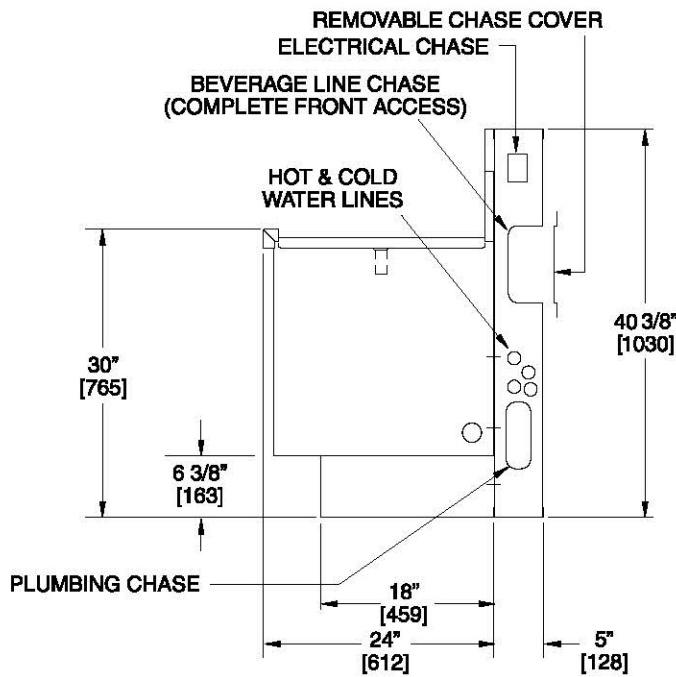
**MODULAR BAR SYSTEM**



**PEDESTAL BASE END VIEW**

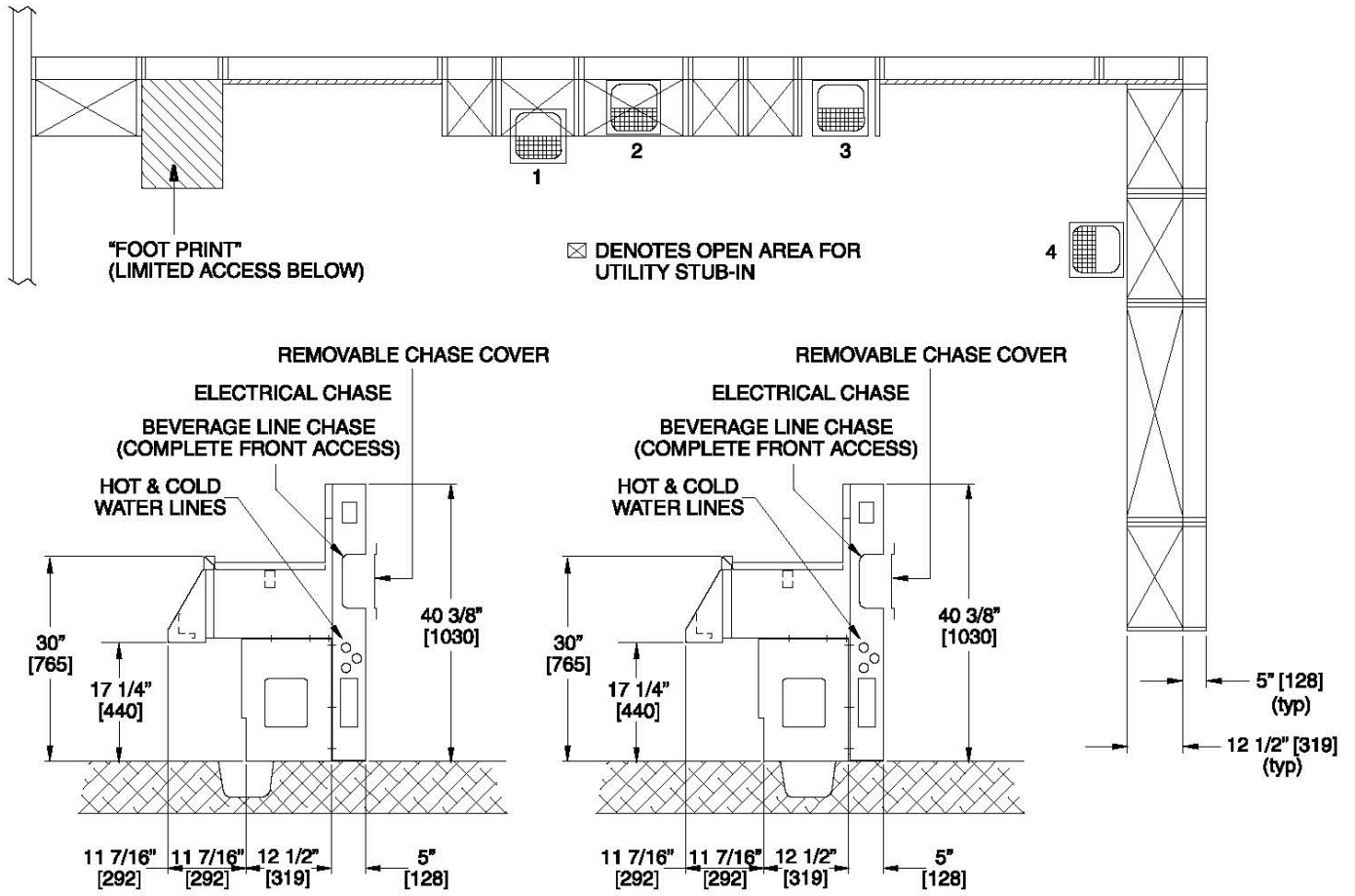


**FLAT WALL END VIEW**



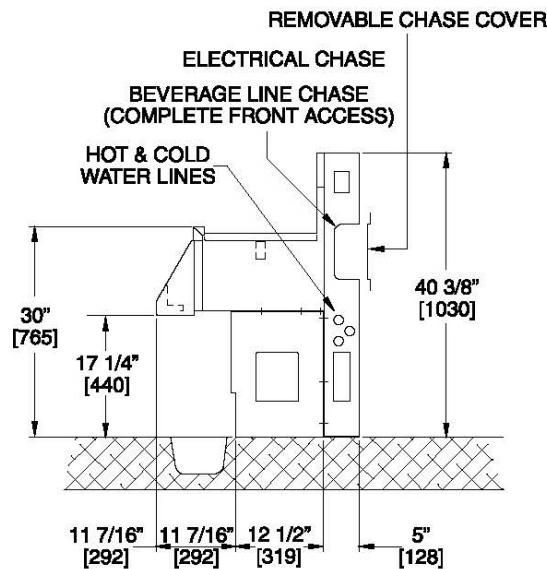
**CABINET BASE END VIEW**

**Perlick® MODULAR BAR SYSTEM**



**ILLUSTRATION 1**

**ILLUSTRATION 2 & 3**



**Floor Sink Location  
Must Comply with  
Local Codes**

**ILLUSTRATION 4**