

GAS HOT PLATE

Project Date Models **HPCP212, HPCP424, HPCP636** Item# Quantity



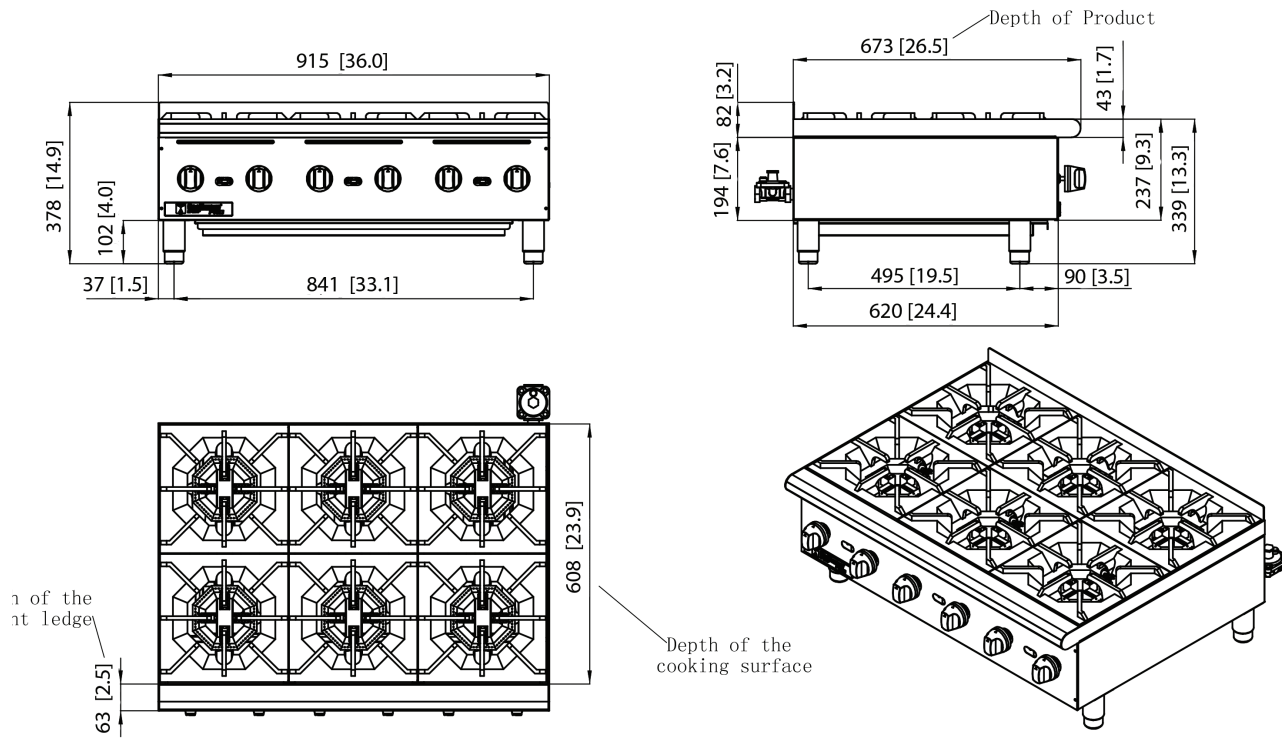
model HPCP636

Features

- Sleek, long-wearing, stainless steel construction for long life and easy maintenance
- All models can be operated using natural or LP gas (conversion kit included)
- Individually controlled burners with 44,000 BTUs per foot
- Heavy-duty cast iron trivets for a sturdy work surface
- Countertop units with 23.6" depth available in three widths:
 - 12" wide with 2 burners
 - 24" wide with 4 burners
 - 36" wide with 6 burners
- Easy access front panel pilot adjustments
- Durable anti-clogging dual-ported burners
- Ergonomically rounded front bullnose, 1¾" sturdy non-marring stainless steel legs
- Industrial metal knobs

Models & Dimensions

Gas Hot Plate



model HPCP636 represented measurements in mm [inches]

Specifications

| Model | Cooking Surface (W x D) | No. of Burners | Power | Product Dimensions (H x W X D) | Ship Dimensions (H x W X D) | Ship Weight |
|-------------------------------|------------------------------|----------------|-----------------|--|--|--------------------|
| HPCP212 (6200-2000) | 12" x 20" 30.5 cm x 51 cm | 2 | 44,000 BTUs | 13.4" x 12.0" x 30.3" 34 cm x 30.5 cm x 77 cm | 17.99" x 16.65" x 30.91" 45.7 cm x 42.3 cm x 78.5 cm | 70 lbs. 32 kg. |
| HPCP424 (6200-4000) | 24" x 20" 60.6 cm x 51 cm | 4 | 88,000 BTUs | 13.4" x 24.0" x 30.3" 34 cm x 61 cm x 77 cm | 17.99" x 28.54" x 30.91" 45.7 cm x 72.5 cm x 78.5 cm | 123 lbs. 56 kg. |
| HPCP636 (6200-6000) | 36" x 20" 91.1 cm x 51 cm | 6 | 132,000 BTUs | 13.4" x 36.0" x 30.3" 34 cm x 91.4 cm x 77 cm | 17.99" x 40.67" x 30.91" 45.7 cm x 103.3 cm x 78.5 cm | 176 lbs. 80 kg. |

