



## G3 ROTATING SWEET TEA BREWER

MODEL: RSTB



### The Curtis G3 Rotating Sweet Tea Brewer – Incredible Tea Flavor, Sweet Tea Functionality, Simple Operation.

At the center of the Curtis G3 Tea Brewing Systems is its unique Universal Control Module. The G3's oversized LCD display and simple interface makes "scroll-through" programming incredibly easy. Of course, there's no need to adjust the system, as Curtis' pre-programmed factory settings deliver ideal results right out of the carton. Simply add bulk leaves or flow-thru filter packs and press the brew button for gallons of flavorful iced tea in just minutes.

Rotate "Left" for Sweet Tea Brewing or Rotate "Right" for Regular Tea Brewing. Dual dilution spouts and rotating brew cone allows for brewing two teas without moving serving vessels. Curtis G3 Systems include a host of new features designed to optimize tea quality including... digital temperature and brew-by-volume control, PM alerts, cold water brew lock-out, and much more. The result is perfect tea flavor and clarity, which keeps customers – and profits – returning.

ITEM NO

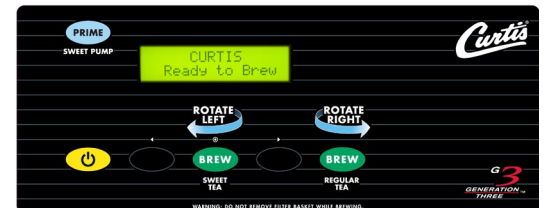
PROJECT

DATE

#### FEATURES AT A GLANCE

- **Rotating Brew Cone** – New brew cone allows for multiple teas to be brewed in one footprint.
- **Dual Dilution** – Two dilution spouts allow for two teas on one brewer.
- **G3 Digital Universal Control Module** – Provides precise control for gourmet fine tuning with pulse-brewing, delay, and all critical brewing functions.
- **G3 Enhanced Tea Flavor & Clarity** – With digital accuracy, two separate precision valves provide unsurpassed control over concentrate brewing and dilution cycles.
- **"Fast Brew" Option** – Program selectable. Shortens brew time by allowing concentrate and dilution cycles to run at the same time.
- **Intuitive Scroll-Through Precision Programming** – Large, brightly lighted display communicates functions at a glance. Easily adjust time, volume, temperature, brew functions and more.
- **On-Board Self Diagnostics** – G3 continually senses proper brewing operation. A service phone number and error code will be displayed in the rare event technical assistance is required... reducing downtime.
- **Cold Water Brew Lock-Out** – Prevents brewing when water temperature is below set level.
- **Standard 120VAC Operation** – Makes installation quick and simple.

WC-390025 (RSTB UCM Overlay)



Dual dilution spouts and rotating brew cone allows for brewing two teas without moving serving vessels.



## SPECIFICATIONS

**Model No:** RSTB

**Dimensions:** 34.250 x 12.375 x 20.875"  
H x W x D

**Voltage\*:** 120V, 50/60Hz  
2 Wire + Ground

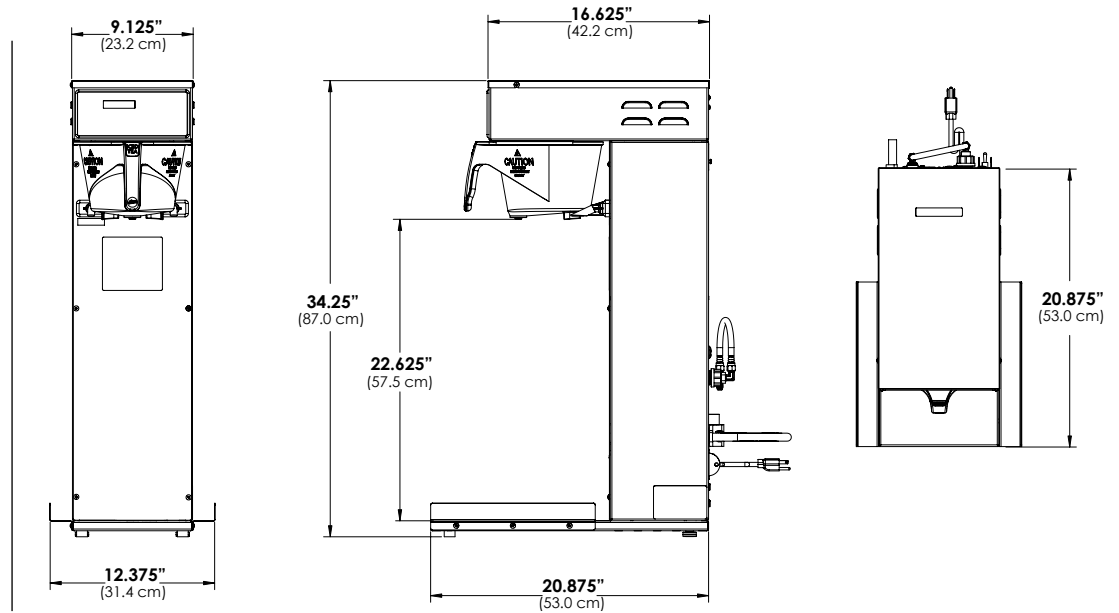
**Power Rqmts.:** 1650W/13.8A

**Water Source:** 1/4" Flare

**Server Clearance:** 22.625"

**Ship Weight:** 41 lbs.

**Cube (cu. ft.):** 9.7



## SPECIFICATIONS

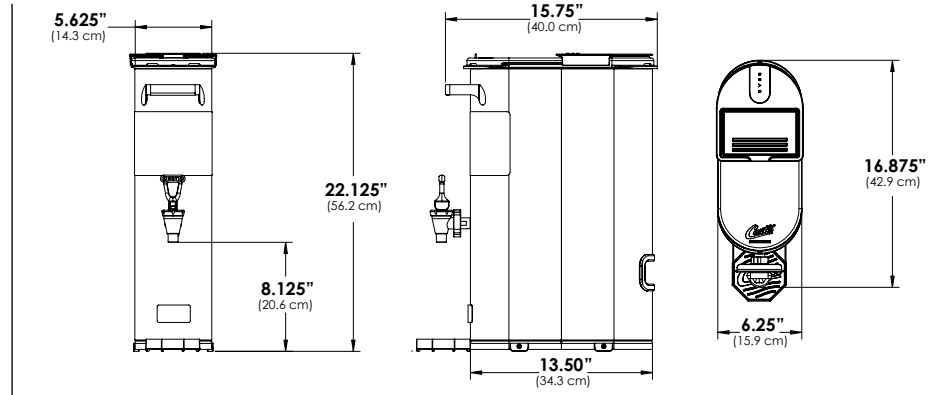
**Model No:** TCN (Sold Separately)

**Dimensions:** 22.125 x 6.250 x 16.875"  
H x W x D

**Faucet Clearance:** 8.125"

**Capacity:** 3.5 Gallons

**Ship Weight:** 10 lbs.



**WARNING** - These products can expose you to chemicals including Acrylamide and Bisphenol A (BPA), which are known to the State of California to cause cancer and birth defects or other reproductive harm. For more information visit [www.P65Warnings.ca.gov](http://www.P65Warnings.ca.gov)



**WILBUR CURTIS COMPANY, INC.**  
6913 Acco Street, Montebello, CA 90640-5403  
Telephone: 800-421-6150 • 323-837-2300  
Fax: 323-837-2406  
[www.wilburcurtis.com](http://www.wilburcurtis.com)



AUG/2018 – F-3909 rev.A