

APPLICATION:

PRODUCT NAME:
DIPPERWELL FAUCET ASSEMBLY

JOB NAME:

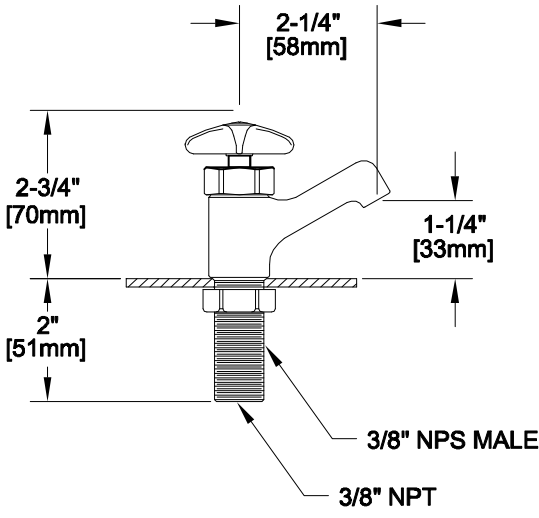
SPECIAL CONFIGURATION
 CHECK BASE MODEL AND OPTIONS

QUANTITY:

ITEM NO.

MODEL:
 3042

OPTIONS OR MODIFICATIONS:
 OTHER _____



FEATURES

* STAINLESS STEEL SEAT

RECOMMENDED HOT WATER SETTINGS

* 110°F AT 80 PSI

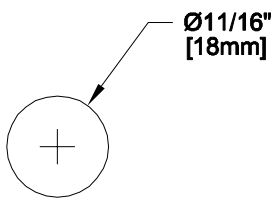
SYSTEM LIMITS

* TEMP: 40°F MIN. TO 140°F MAX.
 * PRESSURE: 100 PSI MAX. STATIC

SHIPPING WEIGHT

* 1.0 LBS

ROUGH-IN:



FISHER MANUFACTURING COMPANY
 TOLL FREE: 800-421-6162 - FAX: 800-832-8238
 information@fisher-mfg.com - www.fisher-mfg.com