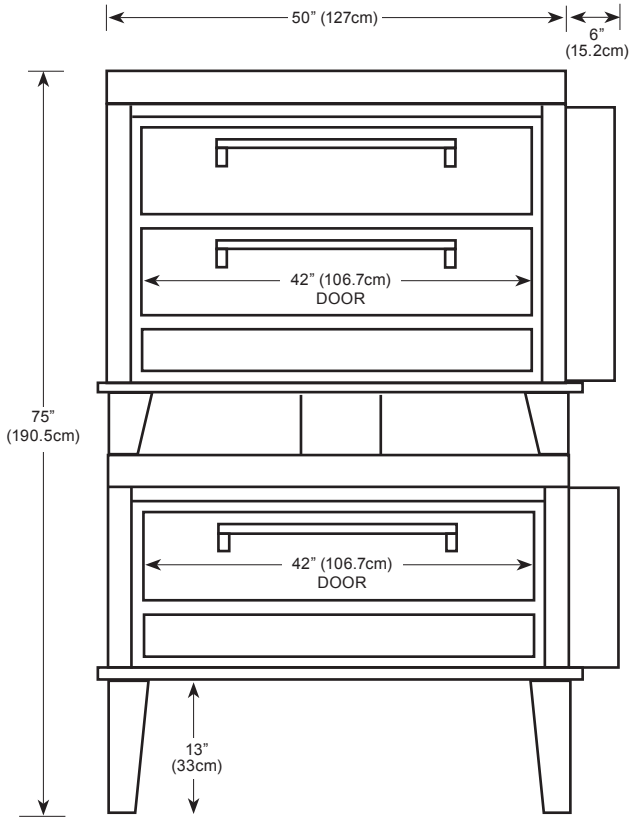


MAXIMIZER

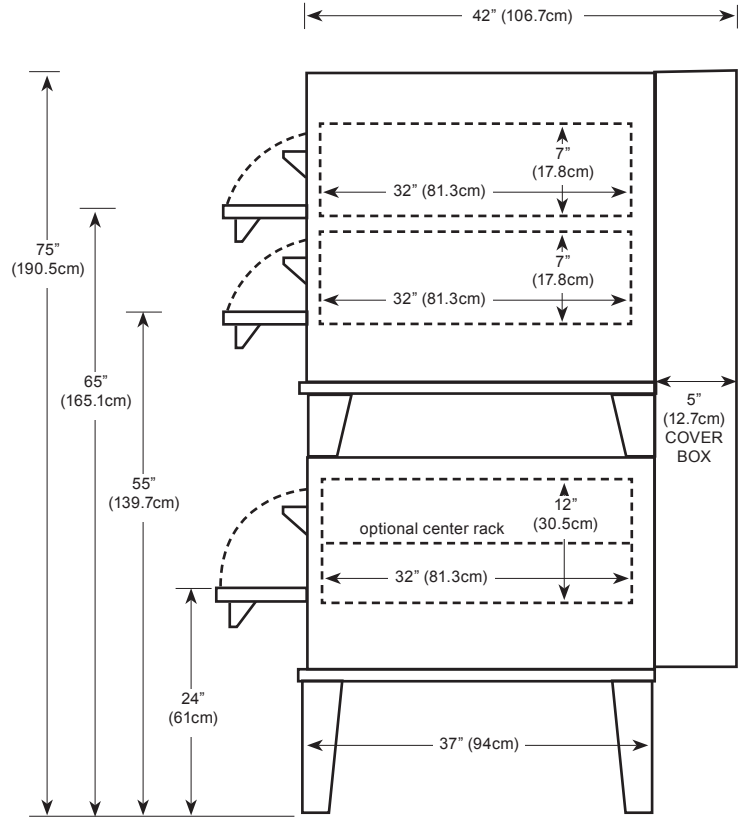
Electric Bake & Roast Ovens

MODEL CE51/CE61BESC

Electric Bake/Roast Ovens can be combined with electric Pizza Ovens to meet your specific needs. Contact Peerless for details.



FRONT VIEW
CE51/CE61BESC



SIDE VIEW
CE51/CE61BESC

Floor space	56" (142.2cm) wide x 42" (106.7cm) deep* x 75" (190.5cm) high
Shelf size CE51BESC	42" (106.7cm) wide x 32" (81.3cm) deep x 12" (30.5cm) high
Shelf size CE61BESC	42" (106.7cm) wide x 32" (81.3cm) deep x 7" (17.8cm) high
Shipping weight	1200 lbs (544.3kg)
Capacity CE51BESC	Two 18"x26" bun pans per section
Capacity CE61BESC	Four 18"x26" bun pans per section
Electric CE51BESC	8 KW - 220V single phase, 50 AMPS Optional three phase, 30 AMPS
Electric CE61BESC	8 KW - 220V single phase, 60 AMPS Optional three phase, 40 AMPS
Maximum opening required for installation: 31"	* Handle adds 2.5" (6.4cm) to depth

