

- NR3640RSSV 35-3/4"L x 33"D x 39-3/4"H
- NR4840RSSV 47-3/4"L x 33"D x 39-3/4"H
- NR6040RSSV 59-3/4"L x 33"D x 39-3/4"H
- NR7240RSSV 71-3/4"L x 33"D x 39-3/4"H

### Included

- NOTE: Glass warranty only applicable to first point of delivery
- Breeze~E (Type-II) self-contained refrigeration
- (1) Level of clear glass shelving removable and adjustable on 1" centers
- Condensate pan (self-contained refrig. only)
- LED top & shelf lights
- One piece formed ABS plastic tub
- One year parts & labor; 5 year compressor warranty
- Warmest average product temperature of 40°F or less



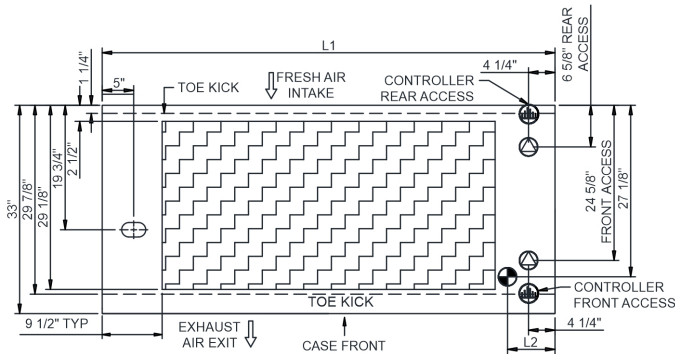
NR4840RSSV

Specify	Standard Features	Additional Options
FRAME EXTERIOR COLOR	• Powder coated Silversan Black	• Powder coated (stock/non-stock colors) • Stainless steel
INTERIOR COLOR	• Powder coated Silversan Black	• NOTE: Interior color must be FDA & NSF approved • Powder coated (stock colors, specify RAL#) • Stainless steel
LOWER FRONT PANEL COLOR	• Powder coated Silversan Black	• Powder coated (stock colors, specify RAL#) • Stainless steel
PANEL EXTERIOR	• Laminate (stock colors)	• Laminate (non-stock colors) • Stainless steel
BASE SUPPORT	• Adjustable, locking casters (self-cont.)	• 6"H legs (self-cont.) • Shims (remote)
END PANELS	• Full end panel	• None (specify per line-up)
LOWER REAR PANEL	• Powder coated Silversan Black	• Powder coated (stock colors, specify RAL#) • Stainless steel
REAR DOORS	• None (solid back panel)	• Clear glass rear sliding doors • Reflective glass rear sliding doors
LIGHTS	• LED 3500K w/ frosted lens	• LED 3000K w/ frosted lens • LED 4000K w/ frosted lens
ELECTRICAL CONNECTION	• 10' Straight blade power cord (self-cont.)	• 10' Locking power cord (self-cont.) • Electrical leads (remote)
REFRIGERATION	• Breeze~E (Type-II) self-contained refrigeration (rear access)	• Breeze~E (Type-II) self-contained refrigeration (front access) • Remote w/thermostat, solenoid & TXV (front access) • Remote w/thermostat, solenoid & TXV (rear access)
MISCELLANEOUS		1. • 14.5" Base height extension • Rear door lock • Second year parts & labor warranty (excludes compressor)
ACCESSORIES		• 4"D full chimney rear wall spacer (front access only) • 4"D open rear wall spacer (front access only) • Clean Sweep® coil cleaner (self-cont.) • Night curtain, retractable, non-locking • Removable clear acrylic security cover, locking

Option Notes: 1 - Cannot be combined w/ 6"H legs

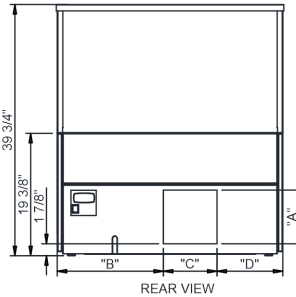
<b>Intended Environment:</b> Type II - Designed to operate in ambient conditions of 80°F and 55% relative humidity unless noted otherwise in system information below.		
<b>Zone</b>	<b>Intended Product To Be Displayed</b>	<b>Warmest Avg Prod Temp ° F</b>
1	Packaged refrigerated products	40

### PLAN VIEW

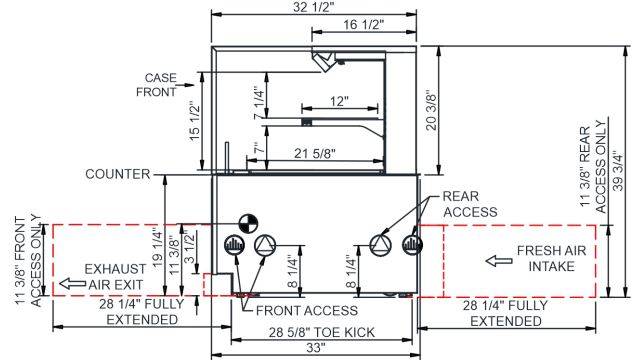


R290 SELF-CONTAINED ACCESS DIMENSIONS PROVIDED.  
CONTACT FACTORY FOR ALL OTHER SELF-CONTAINED ACCESS DIMENSIONS

	"A"	"B"	"C"	"D"
NR3640RSSV	8 1/2"	16 3/4"	8 1/2"	10 1/2"
NR4840RSSV	8 1/2"	28 3/4"	8 1/2"	10 1/2"
NR6040RSSV	8 1/2"	40 3/4"	8 1/2"	10 1/2"
NR7240RSSV	8 1/2"	22 3/4"	8 1/2" x2	10 1/2"



### SIDE VIEW



**NOTES:**

- 11 3/8" TALL, FULL WIDTH OF CASE OPENING IN CABINET OR COUNTER IS REQUIRED TO PULL OUT REFRIGERATION SYSTEM.
- BACK OF COUNTER / CABINET MUST BE VENTED PROPERLY FOR ADEQUATE AIRFLOW TO CONDENSER.
- \*\*REPRESENTS REAR PULLOUT REFRIGERATION. AIR FLOW INTAKE AND EXIT DETAILS ARE REVERSED WITH FRONT PULLOUT REFRIGERATION OPTION.
- SELF-CONTAINED ACCESS ONLY BY PULLING OUT CONDENSER UNIT.
- SEE "COUNTER INSTALLATION GUIDE" FOR AIR FLOW REQUIREMENTS.

**NOTE: ALL DIMENSIONS APPROXIMATE**

- ELECTRICAL JUNCTION BOX (SUPPLIED WITH 6" LEADS OR POWER CORD).
- LOCATION OF DRAIN TUBE FOR REMOTE REF. ONLY (SUPPLIED WITH 3/4" OR 1 1/2" PVC TUBE).

- REFRIGERATION LINE CONNECTION.
- REMOTE FLOOR SINK & UTILITIES ACCESS AREA.

- SELF-CONTAINED CASE SERVICE ACCESS AREA.
- DRY CASE SERVICE ACCESS AREA.

Model Technical Specifications																
Model	L"	L1"	L2"	System Circuit Volts			Phs	Freq	Amps ***	Watts	Wires	NEMA Plug	SST	Conv. Rack BTU/H	Para. Rack BTU/H	Est Wt
NR3640RSSV	N/A	35.75	7.50	Remote (DX)	Circuit #1	110-120	1	60	1.20	46	2+G	Leads Single	20.00	1771	1640	800
				Self-Contained (R290)	Circuit #1	110-120	1	60	10.85	972	2+G	5-15P or L5-15P	N/A	N/A	N/A	
				Self-Contained (R513A)	Circuit #1	110-120	1	60	9.68	765	2+G	5-15P or L5-15P	N/A	N/A	N/A	
NR4840RSSV	N/A	47.75	7.50	Remote (DX)	Circuit #1	110-120	1	60	1.26	57	2+G	Leads Single	20.00	2333	2160	850
				Self-Contained (R290)	Circuit #1	110-120	1	60	15.65	1,533	2+G	5-20P or L5-20P	N/A	N/A	N/A	
				Self-Contained (R513A)	Circuit #1	110-120	1	60	16.00	1,190	2+G	5-20P or L5-20P	N/A	N/A	N/A	
NR6040RSSV	N/A	59.75	7.50	Remote (DX)	Circuit #1	110-120	1	60	1.60	78	2+G	Leads Single	20.00	2873	2660	900
				Self-Contained (R290)	Circuit #1	110-120	1	60	15.70	1,545	2+G	5-20P or L5-20P	N/A	N/A	N/A	
				Self-Contained (R513A)	Circuit #1	110-120	1	60	16.00	1,211	2+G	5-20P or L5-20P	N/A	N/A	N/A	
NR7240RSSV	N/A	71.75	7.50	Remote (DX)	Circuit #1	110-120	1	60	1.64	87	2+G	Leads Single	20.00	3391	3140	1,100
				Self-Contained (R290)	Circuit #1	208-240	1	60	16.00	2,804	2+G	6-20P or L6-20P	N/A	N/A	N/A	
				Self-Contained (R513A)	Circuit #1	208-240	1	60	11.16	1,640	2+G	6-15P or L6-15P	N/A	N/A	N/A	

\*\*\* Does not include electric defrost on freezer models.

**Regulatory Approvals:**

All Models	Accordance with AHRI Std 1200 ETL Listed to UL 471 ETL Listed to CAN/CSA 22.2 No. 120 ETL Sanitation to NSF/ANSI 7
------------	---



In Accordance with  
**AHRI Std 1200**

**DOE 2017**  
Energy Efficiency  
Compliant

**Important Notes:**

- 1) ELECTRICAL NOTE: If GFCI is required, a GFCI breaker MUST be used in lieu of a GFCI receptacle
- 2) Back side of counter must be open or vented the full length of the unit to allow proper ventilation for the refrigeration system.
- 3) Glass warranty only applicable to first point of delivery.
- 4) Compressor air intake from rear and out front panel at toe kick. Front panel cannot be blocked.

**⚠ WARNING:** This product can expose you to chemicals, including Urethane (Ethyl Carbamate), which are known to the State of California to cause cancer and birth defects or other reproductive harm. For more information go to [www.P65Warnings.ca.gov](http://www.P65Warnings.ca.gov).