

TECHNICAL DATA

Dimensions

Exterior Dimensions (WxDxH)	26.5" x 26.75" x 34.25"
Interior Dimensions (WxDxH)	22.5" x 23" x 16"
Net Volume (cu. ft.)	
Gross Weight	160lb
Packaging Dimensions (WxDxH)	30" x 32" x 42"
Electrical Cord Length	
Capacity	4.0 cu. ft.
# 12 oz. Bottle Cases	4.5
# 12 oz. Can Cases	6

Construction

Exterior Material	Stainless Steel Top, Black Vinyl Finish
Insulation Material	
Shelf Material	Coated steel
Shelf Load Capacity	

Cooling

Temperature Range	33° - 40° F
Refrigerant	R290
Maximum Ambient Temp	90° F
Maximum Humidity	65%
Defrosting	Automatic
Cooling System	
Temperature Display	
Temperature Controller	Electronic
H/P	1/6

Electrical

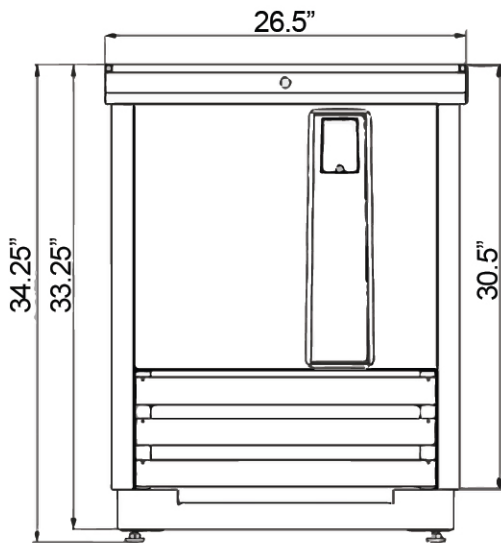
Voltage	115/60/1
Amps	2.04



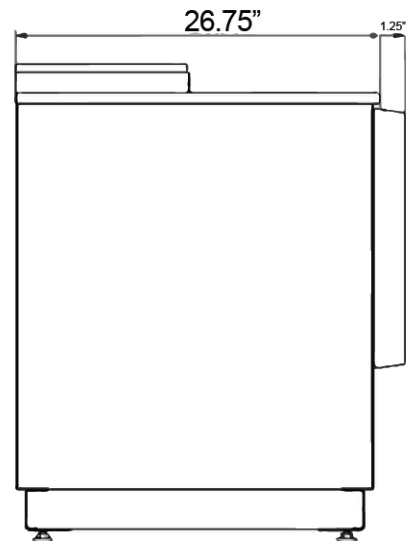
Intertek

COMPLIES WITH ANSI/NSF 7
FOR FOOD SERVICE

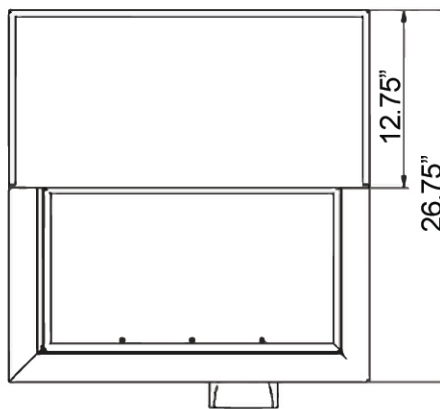
PLAN VIEW



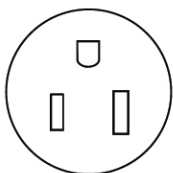
Front View



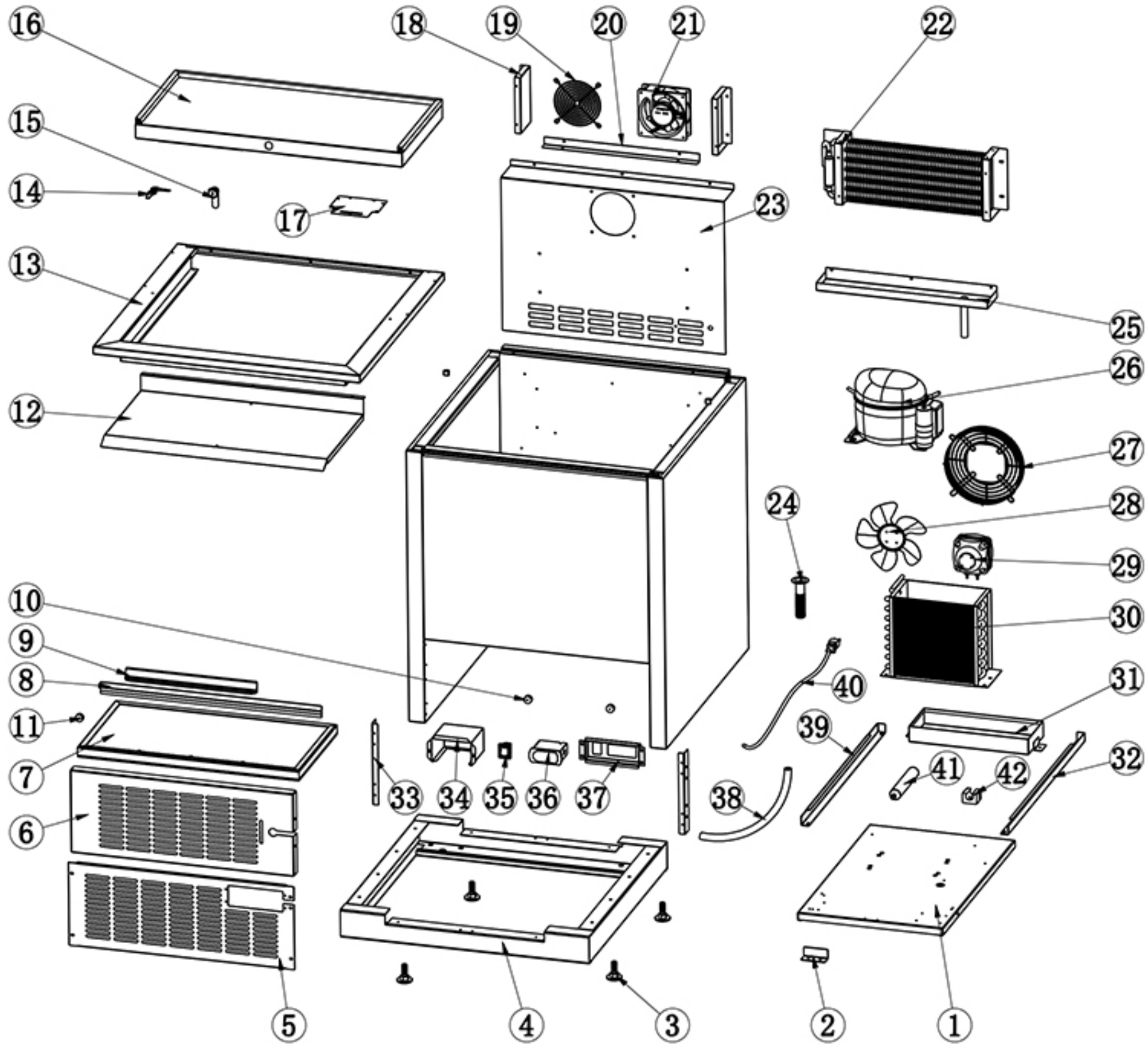
Side View



Top View



NEMA 5-15P



NO.	Part Name	Factory Part NO.	QTY
1	COMPRESSOR UNIT INSTALLATION BOARD		1
2	INSTALLATION BOARD LIMITED BLOCK		3
3	LEVELING FEET	12534030002	4
4	CABINET BASE		1
5	FRONT GRILL		1
6	BACK GRILL		1
7	DOOR		1
8	DOOR GASKET		1
9	DOOR HANDLE	16337030002	1
10	BACK LIMIT BLOCK	16363120001	2
11	DOOR LIMIT BLOCK		2
12	PANEL UNDER TABLE		1
13	UNDER TABLE COMPONENT		1
14	KEY	12546310002	1
15	LOCK	12546100952	1
16	TOP BOARD		1
17	BASE BOARD FOR LOCK		1
18	EPARORATOR FAN RIGHT AND LEFT BAFFLE		2
19	EVAPORATOR FAN MOTOR COVER	12504050115	1
20	EPARORATOR FAN BOTTOM BAFFLE		1
21	EVAPORATOR FAN MOTOR	1003001114715	1
22	EVAPORATOR	17402060350	1
23	EVAPORATOR COVER		1
24	INNER DRAIN PIPE	15810020901	1
25	INNER DRAIN PAN		1
26	COMPRESSOR	17202163113	1
27	CONDENSER FAN MOTOR COVER	22726010001	1
28	CONDENSER FAN BLADE	16381738052	1
29	CONDENSER FAN MOTOR	22752520003	1
30	CONDENSER	17303080201	1
31	OUTER DRAIN PAN	16316130006	1
32	RIGHT RAIL FOR INSTALLATION BOARD		1
33	FIXER FOR FRONT GRILL		2
34	THERMOSTAT WATER PROOF COVER	16351170004	1
35	POWER SWITCH	17749211297	1
36	THERMOSTAT	17505180005	1
37	THERMOSTAT INSTALLATION COVER		1
38	DRAIN TUBE	15818180020	1

39	LEFT RAIL FOR IN STALLATION BOARD		1
40	POWER CORD	17664640051	1
41	FILTER	17111250198	1
42	FILTER FIXER	16369690257	1

