

| | |
|--------------------------|------------|
| Project: _____ | AIA# _____ |
| Item #: _____ Qty: _____ | SIS# _____ |
| Model #: _____ | |

Low Profile Dry Storage Cabinet

| | |
|-------------|--|
| LPDS | LPDS24, LPDS40, LPDS48, LPDS60, LPDS72, LPDS80, LPDS96 |
|-------------|--|



LPDS24
with stainless steel door
and top

Configurable Options

Door Style & Finish (*specify per door section*):

- Black vinyl-clad
- Stainless steel
- Jeweled stainless
- Laminated
- Unlaminated

Top Style:

- No finished top
- Stainless top

Left and Right Side Finish:

- Black vinyl-clad
- Stainless steel

Door Hinge Location:

- Left or Right

Door Handle:

- Signature
- Pull-tab
- Tube



Intertek

4004503

Conforms to NSF/ANSI STD 2

Standard Features

- Locking door
- Galvanized steel interior
- One adjustable, coated-wire shelf
- Eco-friendly, foamed-in-place insulated sides and door (excluding 24" sides)
- Black vinyl-clad steel exterior front and sides
- LPDS24 includes 16 gauge galvanized shelves

To view underbar installation instructions, please visit: https://www.glastender.com/PDF/F-750-165_Underbar_Installation_Instructions.pdf
 To view cleaning and care instructions, please visit: https://www.glastender.com/PDF/F-423-011_ss_clean_care.pdf

| | |
|---|-----------------|
| Glastender, Inc. • 5400 N Michigan Rd • Saginaw, MI • 48604-9780 989.752.4275 • 800.748.0423 • Fax 989.752.4444 www.glastender.com | Approval/Notes: |
| <small>Specifications subject to change without notice. For current specifications please visit our website.</small> | |

Low Profile Dry Storage Cabinet

Specifications

| | | LPDS24 | LPDS40 | LPDS48 | LPDS60 | LPDS72 | LPDS80 | LPDS96 |
|-------------------------|--------------------|---|--------|--------|--------|--------|--------|--------|
| Dimensions | Length | 24" | 40" | 48" | 60" | 72" | 80" | 96" |
| | Number of Sections | 1 | 2 | 2 | 3 | 3 | 4 | 4 |
| | Door Opening | 21" | 16" | 20" | 16" | 20" | 16" | 20" |
| Weight Bearing Capacity | | Countertops and other accessories should not exceed 500 pounds per door | | | | | | |

Materials

- Stainless steel parts include: exterior sub-top (LPDS24 excluded), interior, front of cabinet, hinges, hinge and lock brackets, and optional legs
- Black vinyl-clad steel parts include: standard sides, doors and compressor cover
- Galvanized steel parts: interior
- Zinc plated CR steel parts include: leg sockets

Low Profile Dry Storage Cabinet

Drawings

PLAN VIEW

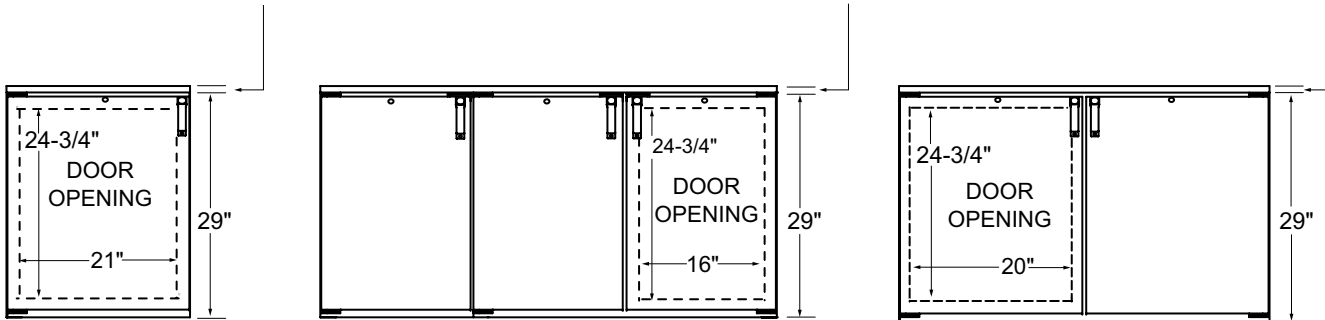


FRONT VIEW

ADD 1" TO HEIGHT FOR FACTORY INSTALLED TOP

ADD 1" TO HEIGHT FOR FACTORY INSTALLED TOP

ADD 1" TO HEIGHT FOR FACTORY INSTALLED TOP

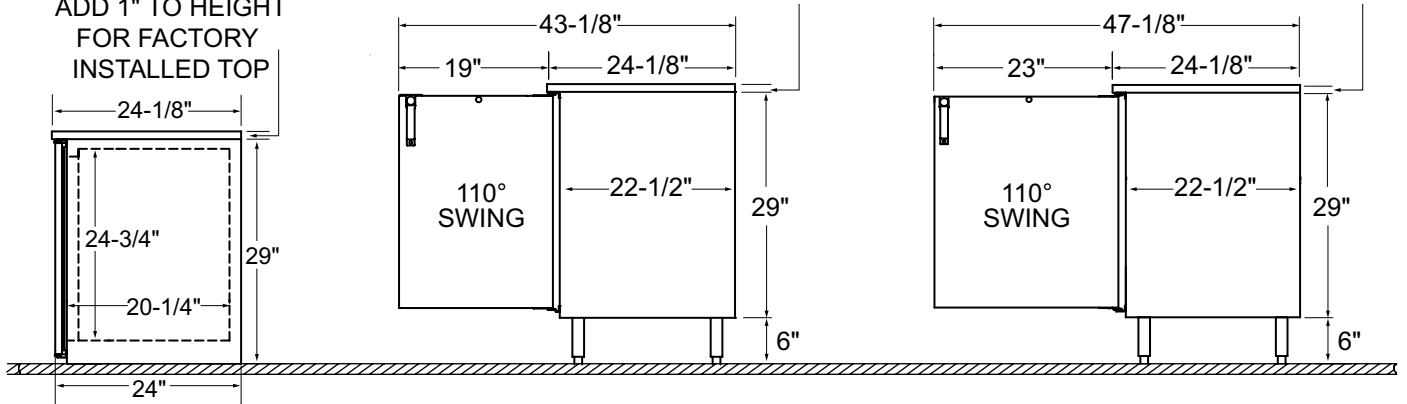


SIDE VIEWS

ADD 1" TO HEIGHT FOR FACTORY INSTALLED TOP

ADD 1" TO HEIGHT FOR FACTORY INSTALLED TOP

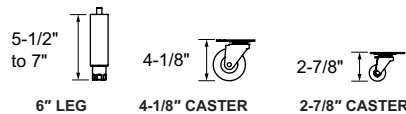
ADD 1" TO HEIGHT FOR FACTORY INSTALLED TOP



STANDARD CABINET

SHOWN WITH OPTIONAL 6" LEGS

OPTIONAL LEGS AND CASTERS



5400 N Michigan Rd • Saginaw, MI • 48604-9780
 989.752.4275 • 800.748.0423 • Fax 989.752.4444
www.glastender.com

Printed in USA