

# "EPT6R5-GSK" STAINLESS STEEL PREP TABLE W/SINK

## 16GA Top w/Galvanized Base & Adjustable Undershelf - 5" Riser

**FEATURES:**

- 16GA Stainless Steel Top w/5" Riser & Turndown
- Type 300 Stainless Steel With #4 Polish, Satin Finish
- 1-1/2" Stallion Edge On Front With Side Edges 90 Degree Bend Down For Table Line-Up
- (1) 16"x20"x12" Bowl
- Galvanized Steel Base With Adjustable Undershelf
- Adjustable Bullet Feet
- Shipped Knocked-Down, Easy-To-Assemble
- Includes (1) Deck Mounted Faucet 4" O/C w/10" Swing Spout (PBF-4DM-10LF)

**SPECIFICATIONS:**

- Top: Stainless Steel Tops Are TIG Welded, Exposed Welds Are Polished To Match Adjacent Surface
- Top: 16GA Stainless Steel Type 300 Stainless Steel With #4 Polish, Satin Finish
- Shelf: 18GA Galvanized Steel
- Legs: 1-5/8" Round O.D. 16GA Tubular Galvanized Steel
- Gussets: Galvanized Steel
- Feet: 1" Adjustable Galvanized Bullet Feet

**CERTIFICATIONS:**



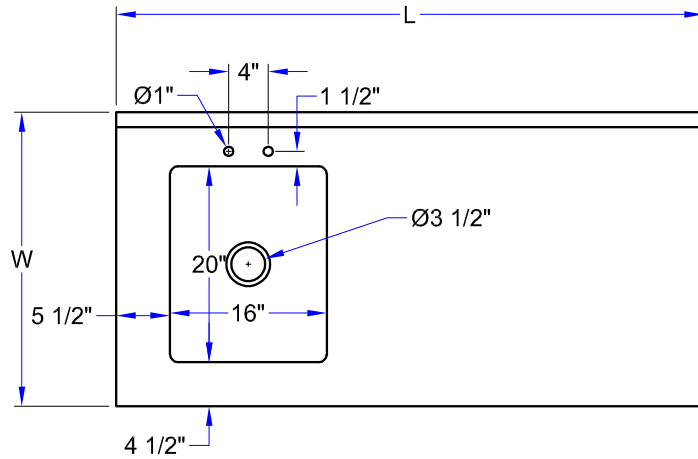
EPT6R5-3060GSK-R

### "EPT6R5-GSK" STAINLESS STEEL PREP TABLE W/SINK

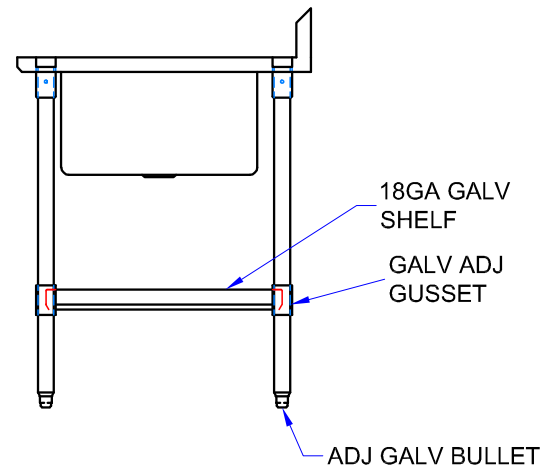
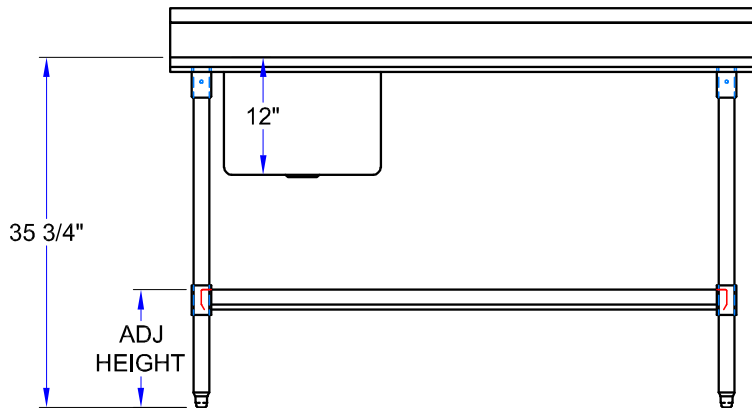
MODEL	SINK BOWL LOCATION	SIZE (L X W X H)	WEIGHT (LBS)
EPT6R5-3048GSK-L	Left	48"x30"x35-3/4"	96
EPT6R5-3048GSK-R	Right	48"x30"x35-3/4"	96
EPT6R5-3060GSK-L	Left	60"x30"x35-3/4"	171
EPT6R5-3060GSK-R	Right	60"x30"x35-3/4"	171
EPT6R5-3072GSK-L	Left	72"x30"x35-3/4"	202
EPT6R5-3072GSK-R	Right	72"x30"x35-3/4"	202

ALL DIMENSIONS ARE TYPICAL. TOLERANCE +/- .500". JOHN BOOS & CO. RESERVES THE RIGHT TO CHANGE SPECIFICATIONS WITHOUT NOTICE.

# DETAILED SPECIFICATIONS



Units 7 Ft. & Larger Are  
Furnished With Six Legs  
Shelf Length = Length Minus 4.875"  
Shelf Width = Width Minus 4.25"



## MODEL # STRUCTURE

30 = Width Of Work Surface  
5 = Ht. Of Riser w/Turndown  
R = Riser Top Work Table  
6 = 16GA Work Surface  
EPT = Economy Prep Table



60 = Length Of Work Surface  
GS = Galvanized Base & Shelf  
K = Ships Knocked Down  
L = Bowl Location

### "EPT6R5-GSK" STAINLESS STEEL PREP TABLE W/SINK

MODEL	SINK BOWL LOCATION	SIZE (L X W X H)	WEIGHT (LBS)
EPT6R5-3048GSK-L	Left	48"x30"x35-3/4"	96
EPT6R5-3048GSK-R	Right	48"x30"x35-3/4"	96
EPT6R5-3060GSK-L	Left	60"x30"x35-3/4"	171
EPT6R5-3060GSK-R	Right	60"x30"x35-3/4"	171
EPT6R5-3072GSK-L	Left	72"x30"x35-3/4"	202
EPT6R5-3072GSK-R	Right	72"x30"x35-3/4"	202

ALL DIMENSIONS ARE TYPICAL. TOLERANCE +/- .500". JOHN BOOS & CO. RESERVES THE RIGHT TO CHANGE SPECIFICATIONS WITHOUT NOTICE.