

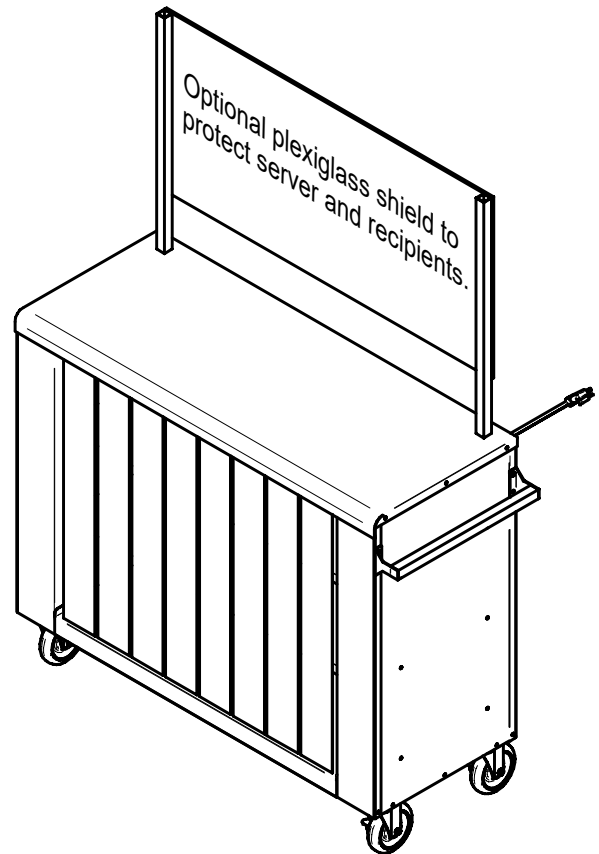
## QuikDelivery Cart - Hold & Serve MODEL QDC3

### FEATURES AND BENEFITS:

- Heated cabinet designed to hold, transport and serve packaged meals for quick delivery.
- Standard 1000 Watts, 120 Volts, 8.5 Amps; provides quick heat up to 140°F (60°C).
- Three thermostatically-controlled heated shelves for added versatility.
- Push/pull handle allows for easy maneuvering.
- Heavy duty 5" swivel casters, two with brakes; rear casters are fixed to provide stability during transport.
- Custom graphics available for top, back and sides.
- DIMENSIONS: Weight: 165 lb. Height 39-1/2", Depth 18.14", Width 48.6" (with a 5" caster)
- One year parts warranty.
- 90 day 100% money back guarantee.

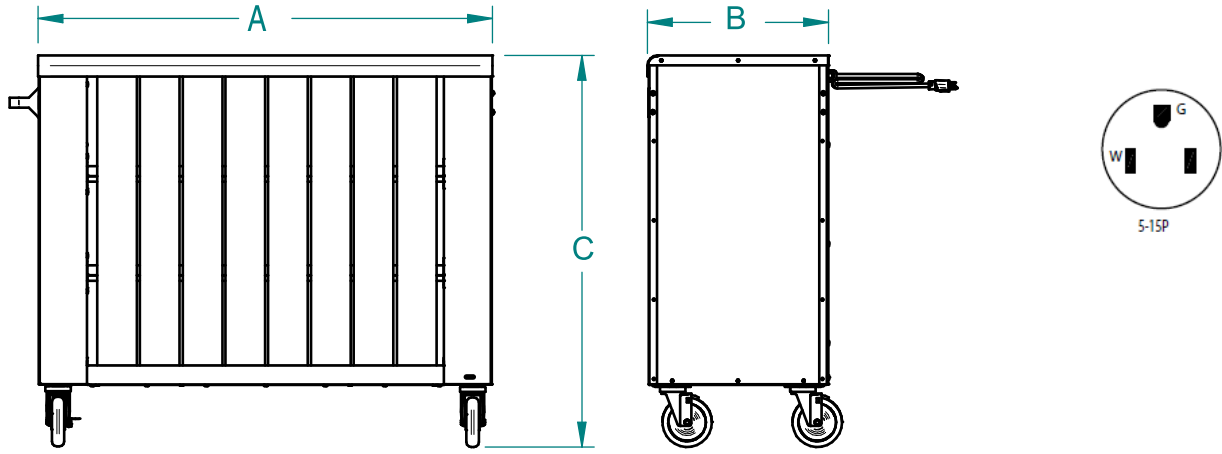
### ACCESSORIES AND OPTIONS:

- Optional plexiglass shield to protect server and recipients.
- Optional 8" Never Flat Casters



Model #QDC3

(Shown with optional 8" Never Flat Casters)



CRES COR MODEL NO.	NUMBER OF SHELVES		DIM "A"	DIM "B"	DIM "C"	INSIDE DIMENSIONS			WEIGHT ACT	
			WIDTH	DEPTH	HEIGHT	WIDTH	DEPTH	HEIGHT		
QDC3	3	IN	48-7/8"	18-1/4"	39-1/2"	35-7/8"	13-7/8"	8-3/8"	LBS	165
		MM	1241	464	1003	912	353	213	KG	75

NOTE: \*Inside height dimension is between shelves.

**CABINET:**

- Body: 20 ga. stainless steel.
- Insulation: Fiberglass, thermal conductivity (K factor) is .23 at 75°F. 1" shelves.
- Air tunnels/Shelves: 20 ga. stainless steel, (3) insulated horizontal shelves.
- Push/pull handle (1): Welded construction; fastened to cabinet.
- Optional breath shield extends to 65.5" off the ground.

**CASTERS:**

- Casters: 5" dia., swivel, 1-1/4" wide, load cap. 250 lbs. each, temp. range -45°F/+180°F. Delrin bearings. Front casters equipped with brakes.

**CURTAINS:**

- Vinyl Curtains (8): 4" Wide x 26" Long, clear.

**ELECTRICAL COMPONENTS:**

- Thermostat: (1) thermostat to control (3) shelves.
- Power cord: Permanent, 10 ft., 12/3 ga.
- Heater: (2) 150 Watt heaters per shelf, total of (6) heaters.
- Blower motor: (3) 115V blower motors.
- LED Light: (1) LED light strip.

**POWER REQUIREMENTS:**

- 1000 Watts, 120 Volts, 60 Hz., single phase, 8.5 Amps., 15 Amp. service.

**SHORT FORM SPECIFICATIONS**

Cres Cor Heated Stainless Steel Delivery Cabinet, QDC3, Thermostat controlled temperature, Cabinet 20 ga. stainless steel, Fiberglass insulation, 1" in shelves, 1000 Watt, 120 Volt power unit; adjustable heat, (1) LED light strip, 5" swivel casters, Delrin bearings, Load capacity 250 lbs, each.



Phone: 877/CRESCOR • Fax: 440/350-7267  
 www.crescor.com

© Crescent Metal Products, Inc. 2020 All rights reserved.

*In line with its policy to continually improve its products, CRES COR reserves the right to change materials and specifications without notice.*

Made in America Since 1936