

ITEM #: \_\_\_\_\_ QTY: \_\_\_\_\_  
 MODEL #: \_\_\_\_\_  
 PROJECT NAME: \_\_\_\_\_

080817

3601 S. Banker St. Effingham, IL 62401 • P.O. BOX 609 • Ph: (888) 431-2667 • Fax: (800) 433-2667

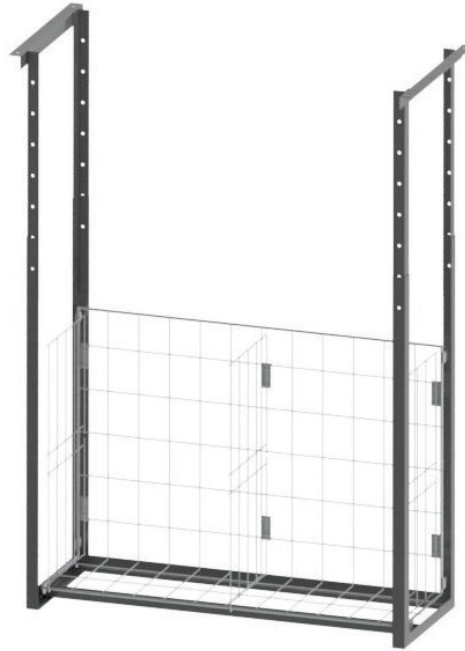
## **"MBRC" MEAT BOAT RACKS - STAINLESS STEEL** **W/ CEILING MOUNT**

### **FEATURES:**

- CEILING MOUNT
- STAINLESS STEEL CONSTRUCTION
- OPTIONAL DIVIDERS (MBR14)

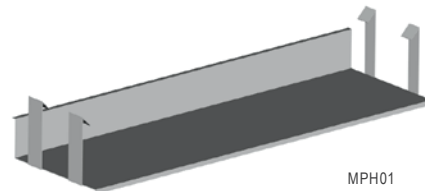
### **MATERIAL:**

- CEILING MOUNTS: 1-1/4" X 2 SQUARE STAINLESS STEEL ANGLE W/ #4 POLISH, SATIN FINISH
- WIRE CAGE: TYPE 300, ELECTRO POLISHED, 2" SQUARE WIRE MESH



### **MEAT BOAT RACKS - STAINLESS STEEL**

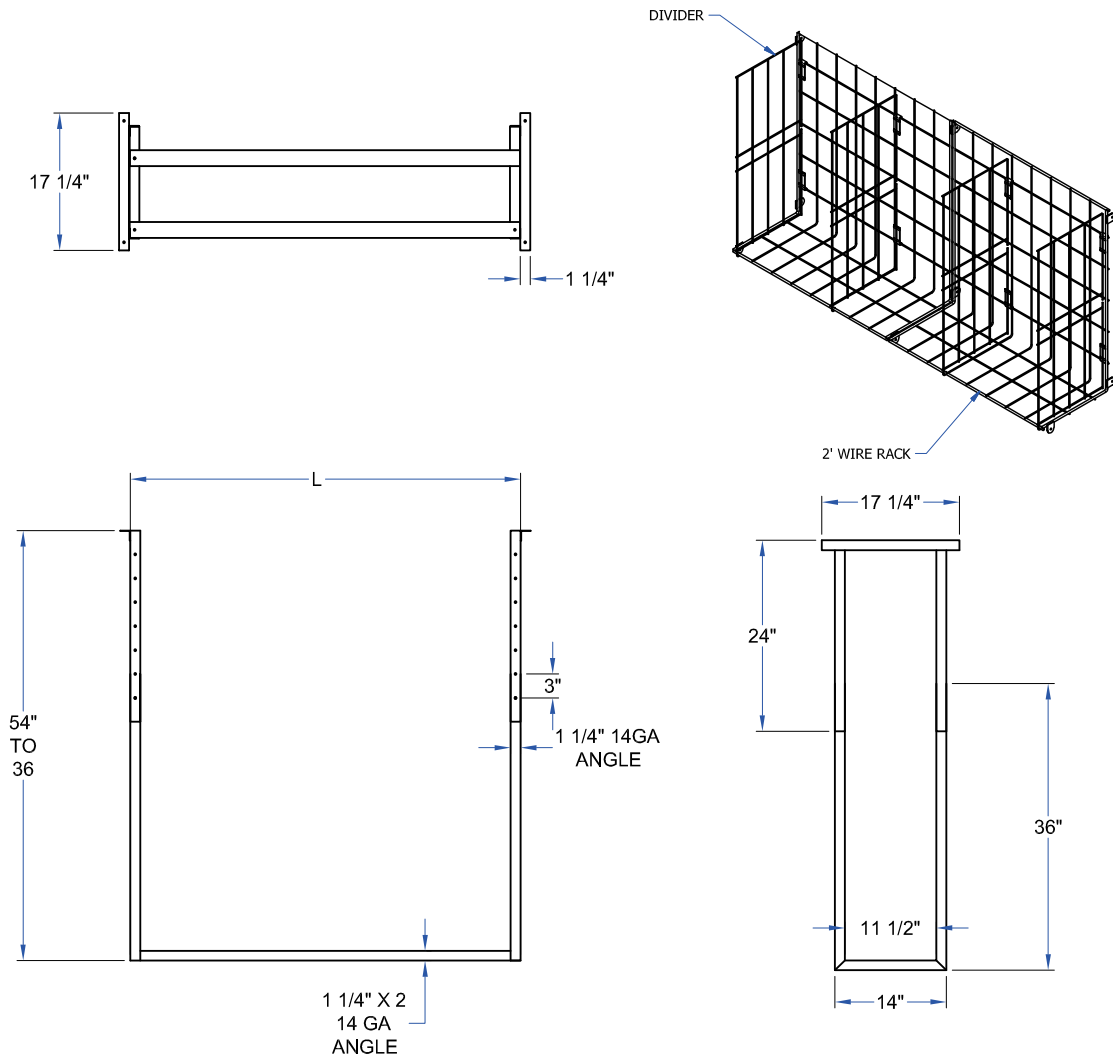
MODEL #	QTY
MBR15	
MBR15A	
MBR16	
MBR16A	
MBR17	
MBR17A	



### **OPTIONAL ACCESSORIES**

STAINLESS PAPER HOLDER	QTY
MPH01	

# DETAILED SPECIFICATIONS



## MEAT BOAT RACKS - STAINLESS STEEL

MODEL #	MOUNT TYPE	DESCRIPTION	SIZE (W X L X H)	WT. (LBS)
MBR15	CEILING	14 GAUGE 1-1/4" X 2" ANGLE, ADJUSTABLE HEIGHT	12" X 48" X 25"	37
MBR15A	CEILING	14 GAUGE 1-1/4" X 2" ANGLE, ADJUSTABLE HEIGHT	12" X 36" X 25"	28
MBR16	CEILING	14 GAUGE 1-1/4" X 2" ANGLE, ADJUSTABLE HEIGHT	12" X 72" X 25"	54
MBR16A	CEILING	14 GAUGE 1-1/4" X 2" ANGLE, ADJUSTABLE HEIGHT	12" X 60" X 25"	46
MBR17	CEILING	14 GAUGE 1-1/4" X 2" ANGLE, ADJUSTABLE HEIGHT	12" X 96" X 25"	71
MBR17A	CEILING	14 GAUGE 1-1/4" X 2" ANGLE, ADJUSTABLE HEIGHT	12" X 84" X 25"	63

SOME UNITS SHIP UNASSEMBLED FOR REDUCED SHIPPING COST. ALL DIMENSIONS ARE TYPICAL. TOLERANCE +/- .500"

John Boos & Co. is constantly engaged in a program of improving products and therefore reserves the right to change specifications without prior notice.



Boos  
lock

AQ AutoQuotes

3601 S. Banker St. • Effingham, IL 62401 • PO BOX 609 • quotes@johnboos.com

[www.johnboos.com](http://www.johnboos.com)

080817

825