

"PBMSHS-F" MULTISTATION HAND WASH SINKS

16GA - Free Standing

FEATURES:

- Standard 16GA Type 300 Stainless Steel With #4 Polish
- 5" Deep Bowls
- Bottom Of Bowls Formed For Drainage To 3-1/2" Diameter Die Stamped Opening
- 7" High Backsplash
- 4" On-Center Or Single, 1" Faucet Holes In Backsplash

SPECIFICATIONS:

- Top: Stainless Steel Sinks Are Tig Welded, Exposed Welds Are Polished To Match Adjacent Surface
- Base: Stainless Steel Bases, Freestanding, Knocked-Down
- Bowl: 16GA Type 300 Series Stainless Steel With #4 Polish, Satin Finish
- Legs: 1-5/8" Round O.D. Stainless Steel
- Bracing: 1-1/4" Round O.D. Stainless Steel
- Gussets: Stainless Steel
- Feet: 1" Adjustable Stainless Steel Flanged Foot With Holes Polish, Satin Finish



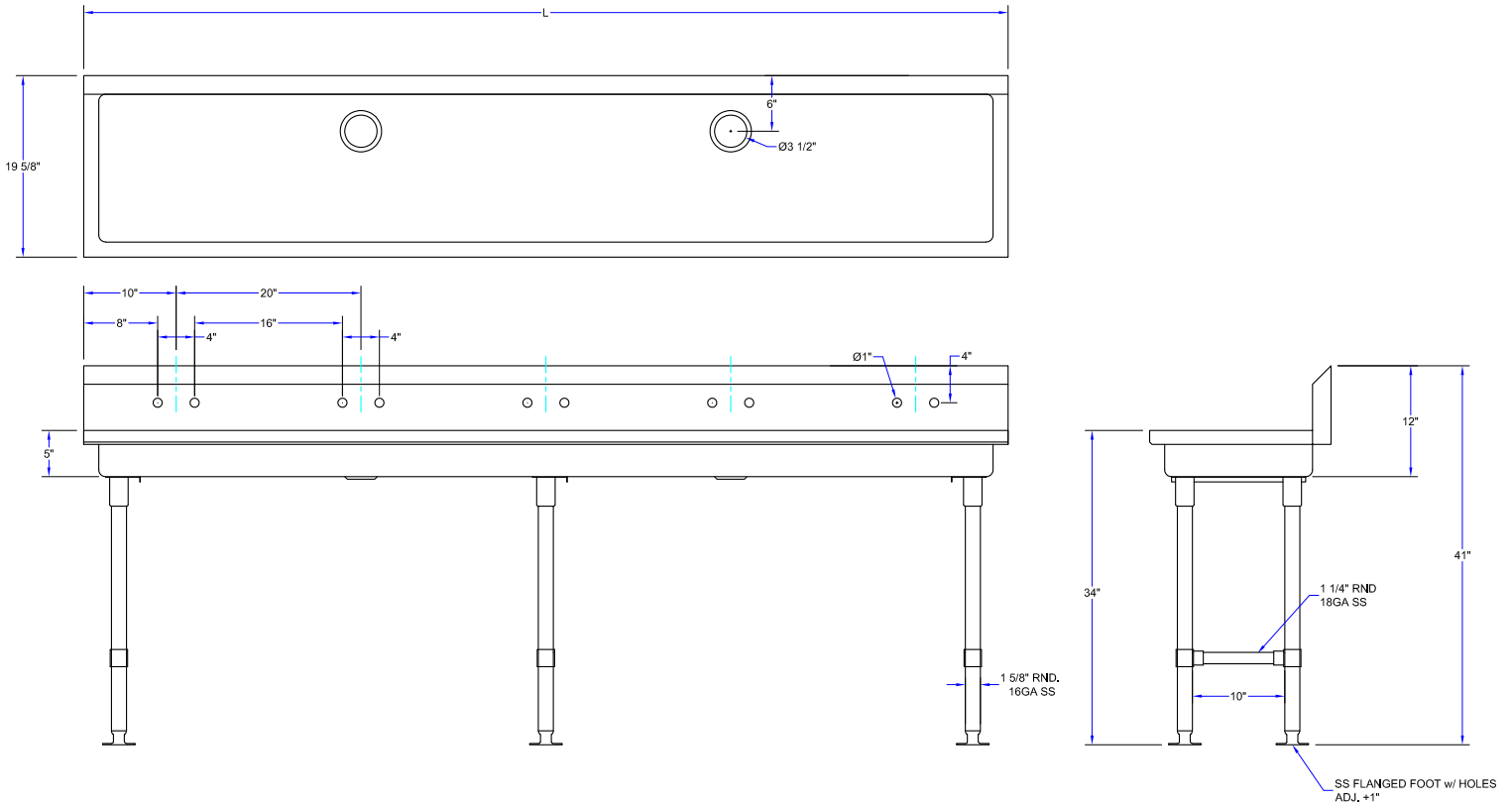
PBMSHS-F2-6020

"PBMSHS-F" MULTISTATION HAND WASH SINKS

| MODEL | SIZE (L X W X H) | DESCRIPTION | WEIGHT (LBS) |
|-----------------|------------------|--------------------------------|--------------|
| PBMSHS-F1-4020 | 40"x19-5/8"x41" | (2) SINGLE 1" FAUCET HOLES | 50 |
| PBMSHS-F2-4020 | 40"x19-5/8"x41" | 2 SETS OF 4" O.C. FAUCET HOLES | 50 |
| PBMSHS-F1-6020 | 60"x19-5/8"x41" | (3) SINGLE 1" FAUCET HOLES | 63 |
| PBMSHS-F2-6020 | 60"x19-5/8"x41" | 3 SETS OF 4" O.C. FAUCET HOLES | 63 |
| PBMSHS-F1-8020 | 80"x19-5/8"x41" | (4) SINGLE 1" FAUCET HOLES | 76 |
| PBMSHS-F2-8020 | 80"x19-5/8"x41" | 4 SETS OF 4" O.C. FAUCET HOLES | 76 |
| PBMSHS-F1-10020 | 100"x19-5/8"x41" | (5) SINGLE 1" FAUCET HOLES | 97 |
| PBMSHS-F2-10020 | 100"x19-5/8"x41" | 5 SETS OF 4" O.C. FAUCET HOLES | 97 |

ALL DIMENSIONS ARE TYPICAL. TOLERANCE +/- .500". JOHN BOOS & CO. RESERVES THE RIGHT TO CHANGE SPECIFICATIONS WITHOUT NOTICE.

DETAILED SPECIFICATIONS



"PBMSHS-F" MULTISTATION HAND WASH SINKS

| MODEL | SIZE (L X W X H) | DESCRIPTION | WEIGHT (LBS) |
|-----------------|------------------|--------------------------------|--------------|
| PBMSHS-F1-4020 | 40"x19-5/8"x41" | (2) SINGLE 1" FAUCET HOLES | 50 |
| PBMSHS-F2-4020 | 40"x19-5/8"x41" | 2 SETS OF 4" O.C. FAUCET HOLES | 50 |
| PBMSHS-F1-6020 | 60"x19-5/8"x41" | (3) SINGLE 1" FAUCET HOLES | 63 |
| PBMSHS-F2-6020 | 60"x19-5/8"x41" | 3 SETS OF 4" O.C. FAUCET HOLES | 63 |
| PBMSHS-F1-8020 | 80"x19-5/8"x41" | (4) SINGLE 1" FAUCET HOLES | 76 |
| PBMSHS-F2-8020 | 80"x19-5/8"x41" | 4 SETS OF 4" O.C. FAUCET HOLES | 76 |
| PBMSHS-F1-10020 | 100"x19-5/8"x41" | (5) SINGLE 1" FAUCET HOLES | 97 |
| PBMSHS-F2-10020 | 100"x19-5/8"x41" | 5 SETS OF 4" O.C. FAUCET HOLES | 97 |

ALL DIMENSIONS ARE TYPICAL. TOLERANCE +/- .500". JOHN BOOS & CO. RESERVES THE RIGHT TO CHANGE SPECIFICATIONS WITHOUT NOTICE.