



STAINLESS STEEL
HAND SINKS

12" WIDE SPACE-SAVER UNITS

Conforms To NSF 61/9 Lead Free Requirements



7-PS-22



7-PS-23



7-PS-53

WITH SOAP & TOWEL DISPENSERS



7-PS-84



7-PS-83



7-PS-73



7-PS-89

Item #:	Qty #:
Model #:	
Project #:	

FEATURES:

One piece 9" x 9" x 5" **Deep Drawn** sink bowl design.
All sink bowls have a large liberal radii with a minimum dimension of 1" and are square in design.
2" stainless steel drain with crumb basket.
Units with towel dispensers use standard C-fold towels.

Specific Features:

- 7-PS-22** - 4" O.C. K-22 deck mounted faucet with aerator.
- 7-PS-83** - 4" O.C. K-22 deck mounted faucet with aerator. Liquid soap & towel dispenser with hinged towel box.
- 7-PS-23** - 4" O.C. K-123 splash mounted faucet with aerator.
- 7-PS-84** - 4" O.C. K-123 splash mounted faucet with aerator. Liquid soap & towel dispenser with hinged towel box.
- 7-PS-53** - 4" O.C. K-175 splash mounted electronic faucet with aerator.
- 7-PS-73** - 4" O.C. K-123 splash mounted faucet with aerator. Liquid soap & towel dispenser with hinged towel box. 7 3/4" high Side Splashes (from top of deck).
- 7-PS-89** - 4" O.C. K-175 splash mounted electronic faucet with aerator. Liquid soap & towel dispenser with hinged towel box. 7 3/4" high Side Splashes (from top of deck).

CONSTRUCTION:

All TIG welded.
Welded areas blended to match adjacent surfaces and to a satin finish.
Die formed Countertop Edge with a No-Drip offset.
One sheet of stainless steel - No Seams.

MATERIAL:

Heavy gauge type 304 series stainless steel.
Wall mounting bracket is stainless steel and of offset design.
All fittings are brass / chrome plated unless otherwise indicated.

MECHANICAL:

Faucet supply is 1/2" IPS male thread hot and cold.
Faucet Flow Rate: 1.0 GPM/3.8 LPM aerator. 60 PSI.
Drains are 1-1/2" IPS.

⚠ WARNING:

Equipment that includes a faucet may expose you to chemicals, including lead, that are known to the State of California to cause cancer or birth defects or other reproductive harm. For more Info., visit www.p65warnings.ca.gov.



Customer Service Available To Assist You **1-800-645-3166** 8:30 am - 7:00 pm E.S.T.

For Orders & Customer Service:

Email: customer@advancetabco.com or Fax: 631-242-6900

For Smart Fabrication™ Quotes:

Email: smartfab@advancetabco.com or Fax: 631-586-2933

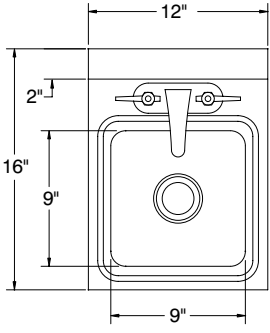
DIMENSIONS and SPECIFICATIONS

TOL Overall: ± .500" Interior: ± .250"

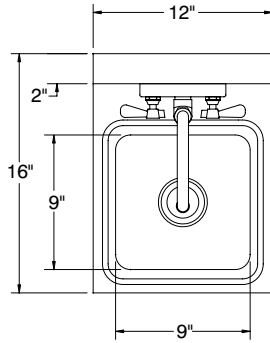
FITTINGS SUPPLIED AS SHOWN

ALL DIMENSIONS ARE TYPICAL

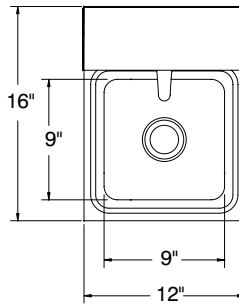
TOP VIEW FOR 7-PS-22



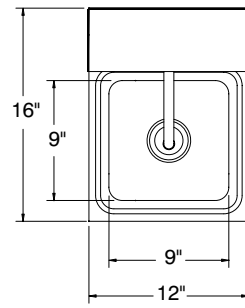
TOP VIEW FOR 7-PS-23



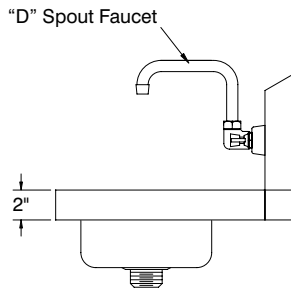
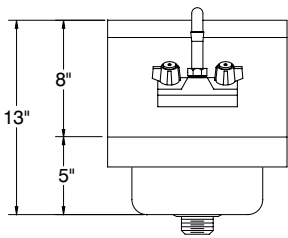
TOP VIEW FOR 7-PS-83



TOP VIEW FOR 7-PS-73/7-PS-84/7-PS-89

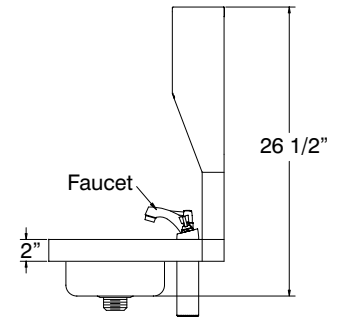
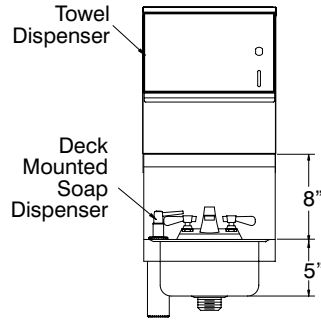


7-PS-23



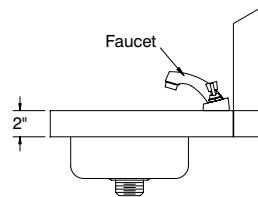
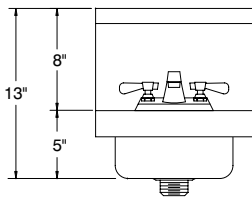
12 lbs.

7-PS-83



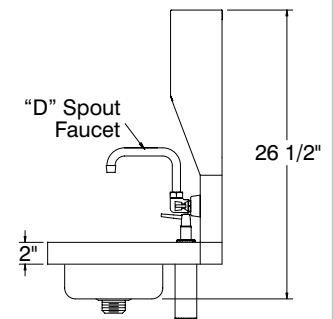
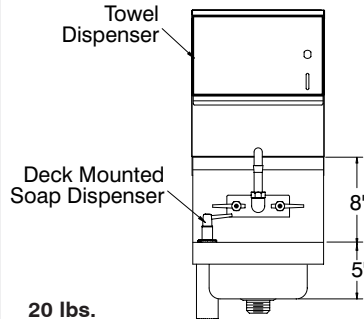
20 lbs.

7-PS-22



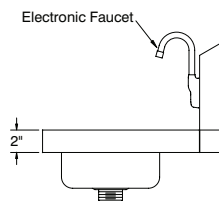
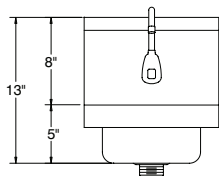
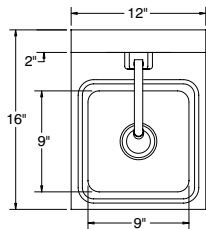
12 lbs.

7-PS-84



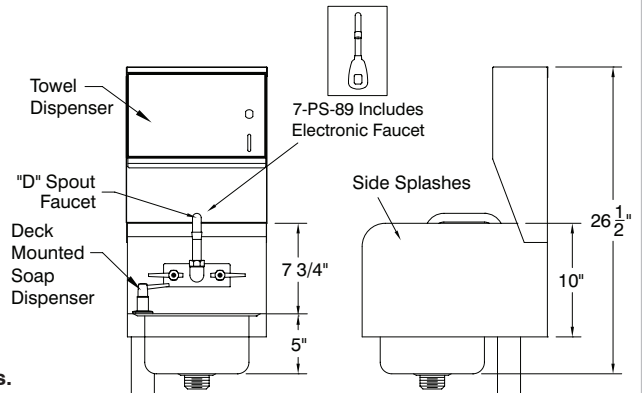
20 lbs.

7-PS-53



12 lbs.

7-PS-73/7-PS-89



31 lbs.

