

Project _____
Item _____
Quantity _____
CSI Section 11400
Approved _____
Date _____

Master Series Heavy Duty Even Heat Hot Top Range

Master Series Heavy Duty Even Heat Hot Top Range

Models

- MST46R
- MST46T
- MST46S-E
- MST46S
- MST46R-E
- MST46T-E



Model MST46R
(valve control panel not as depicted)
Two Section Even Heat
Hot Top Range

Standard Features

- Stainless steel front and sides.
- 6" (152mm) chrome steel adj. legs
- 7-1/2" (191mm) stainless steel front rail
- Two extra heavy even heat cast iron hot top sections with 3 "H" burners; 81,000 BTU (23.72 kW) total
- Heavy gauge aluminized steel radiation baffle system
- Separate control valves for each burner
- Stainless steel burner box bottom
- Storage base interior of aluminized steel
- Piezo spark ignition for oven
- 40,000 BTU (11.72 kW) natural gas, 35,000 BTU (10.25kW) propane gas cast iron oven burner
- Electric Spark ignition on all pilots Suffix -E models
- Sentry total flame failure protection for all burners

Options & Accessories

- Stainless steel main back
- Stainless steel common front rail up to 102" (2591mm) wide (2 or more units in a battery)
- Stainless steel oven interior
- Convection oven base, add C to Model No., e.g. MST46RC
- Additional oven rack
- Gas regulator 3/4" or 1-1/4"
- Rear gas connection, 3/4" or 1" NPT
- Gas shut off valve; 3/4", 1" or 1-1/4" NPT
- Gas flex hose & quick disconnect (3/4", 1" or 1-1/4" NPT x 5') w/ restraining device, please specify
- End caps and cover, (NC, specify)
- Polyurethane non-marking swivel casters (4) w/front brakes
- 6" (152mm) stainless steel adj. legs
- Dais base (not for use with "RC" oven)
- Storage base shelf of aluminized or stainless steel
- Stainless steel tubular high shelf, single or double deck
- Stainless steel backguard: 10" (354mm), 17" (432mm) or 33" (838mm)
- 230 volt, 50 cycle components, RC motor and/or electric ignition (export)
- Celsius dial for oven thermostat (NC)

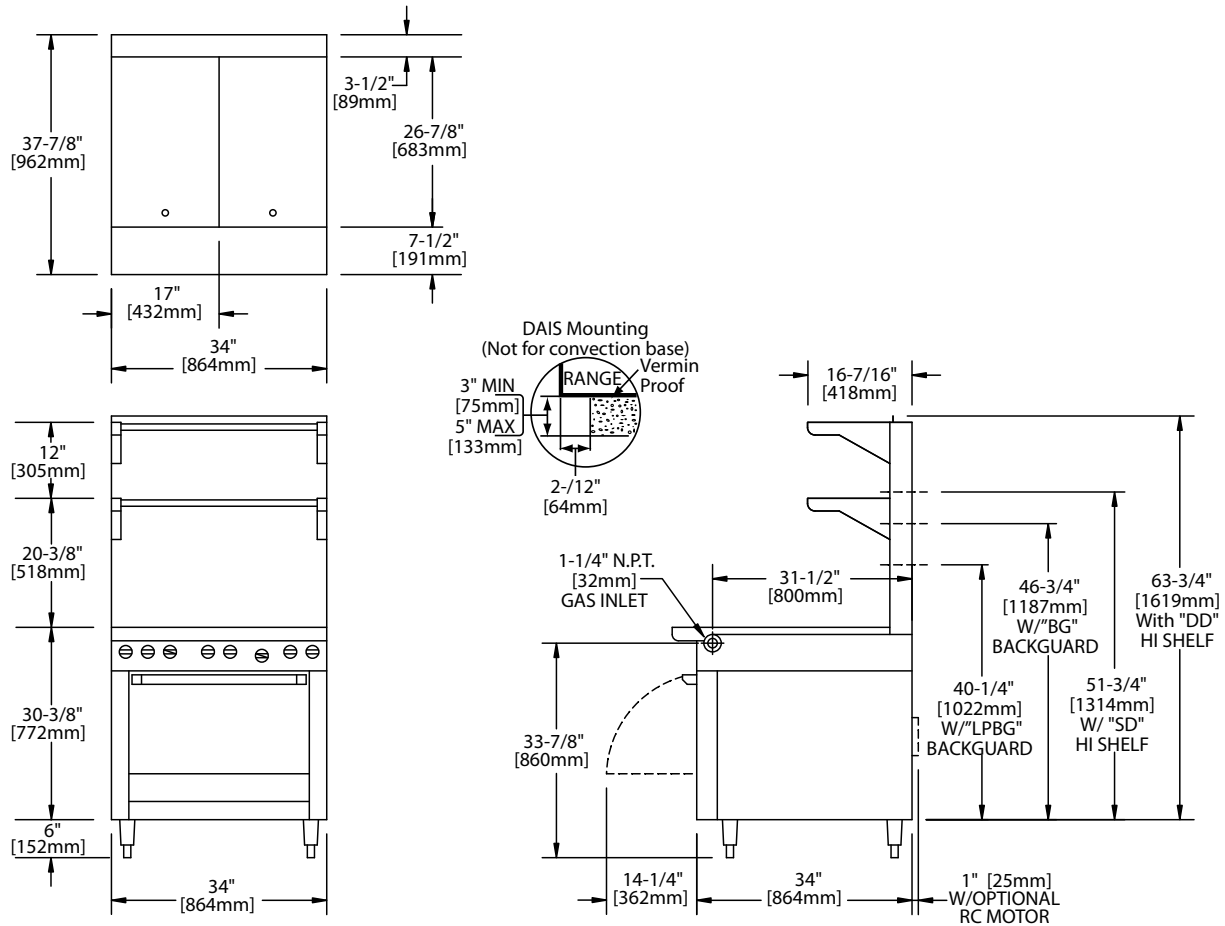
Specifications

Heavy duty gas range with oven, Model MST46R. Two (2) 17" (432mm) even heat hot tops, rated a total 81,000 BTU (23.72 kW) total. Sentry total flame failure protection for all burners. 34" (864mm) wide x 38" (965mm) deep, including 7-1/2" (191mm) deep stainless steel front rail. Porcelain enamel oven interior with 40,000 BTU (11.72 kW) cast iron oven burner. Stainless steel front and sides. 121,000 BTU (35.43 kW) total. Natural or propane gas available. Also available with storage base w/ doors, suffix S, and modular top, suffix T.

NOTE: Ranges supplied with casters must be installed with an approved restraining device.



Master Series Heavy Duty Even Heat Hot Top Range



Product	Width: In(mm)	Depth: In(mm)	Height: In(mm) (w/ NSF Legs)	Height: In(mm) (w/o NSF Legs)	Oven/Storage Base Interior: in(mm)		
					Width	Depth	Height
MST46R	34(864)	38(965)	36-3/8(924)	30-3/8(772)	26-1/4(667)	29(737)**	13-1/2(343)
MST46S	34(864)	38(965)	36-3/8(924)	36-3/8(924)	26(665)	30-1/2(773)	20-1/2(519)
MST46T	34(864)	38(965)	36-3/8(924) w/stand	9-1/2 (241) w/o stand*	N/A	N/A	N/A

*Modular top has 1-1/2" seating flanges. **RC oven is 25" (635mm) deep.

INPUT-BTU/hr (Natural Gas)	MST46R(C)	MST46S & MST46T	Gas input ratings shown here are for installations up to 2,000 ft. (610m) above sea level. Specify altitudes over 2,000 ft.
Top Section	81,000 (23.72kW)	81,000 (23.72kW)	
Oven***	40,000 (11.72kW)	N/A	
TOTAL	121,000(35.44kW)	90,000 (23.72kW)	

RC=Range w/Convection Oven R=Range w/Oven S=Range w/Storage Base T=Modular Top

*** Oven rated 35,000 BTU (10.25kW) for Propane Gas

Installation Notes			Shipping: Wt (Lb/Kg) - Cu Ft
Combustible Wall Clearances ¹	Entry Clearances	Operating Pressure	MST46R 450/205 - 50
Sides: 11" (279mm)	Crated: 39-1/4" (997mm)	Natural: 6" WC (15mbar)	MST46S 350/159 - 50
Back: 6" (152mm)	Uncrated: 34-1/4" (870mm)	Propane: 10" WC (25mbar)	MST46T 260/118 - 20

¹NOTE: Installation clearance reductions are applicable only where local codes permit.

Electrical characteristics: **Each RC oven** -1/3 HP motor, 120 VAC, single phase, 3.4 amps (c/w 6 ft. (1.8m) power cord with NEMA 5-15P plug). 230 VAC export is direct connect, single phase, 50 Hz. **Electrical Spark Ignition** (suffix "E") - 0.1 amps for 115V 60Hz 1 Phase (c/w NEMA 5-15P cord & plug on models with out RC oven) and 0.05 amps for 240C 50Hz 1 phase.

Please specify gas type when ordering.

Welbilt reserves the right to make changes to the design or specifications without prior notice.