

SaniServ®

MODEL 108HP



MADE IN USA



107
FROZEN
COCKTAILS/HR

GREAT FOR RESTAURANTS AND CONCESSIONAIRES

The SaniServ® model 108HP Frozen Beverage Freezer provides owners and operators everything they are asking for. Frozen beverage visibility merchandising in a consistent and reliable machine! The extra large 8 inch face plate design allows customers to view colorful frozen beverages being offered without the condensation and unreliable operation of traditional "bubble top" machines! The high frozen product visibility, along with increased production and reliability, results in increased sales and higher profits.

MODEL 108HP

HIGH PERFORMANCE

Job: _____

Item No. _____



DESIGNED FOR MEDIUM VOLUME APPLICATIONS

10 Gallons per Hour - 25 Quart Capacity

Use SaniServ® Model 108HP to Create



Dimensions: Width (16.6") Depth (28.5")
Height (37.1") Weight (210 lbs)

Electrical Requirements:

208-230/60/1 = 25 Amps
208-230/60/3 = 20 Amps

Serving Estimate:

Up to 107 Frozen Cocktails / hr

We reserve the right to change specifications and product designs without notice. Such revisions do not entitle the buyer to corresponding changes, improvements, additions, or replacements for previously purchased equipment.



About the 108HP Cooling Options



✓ SPACE SAVING - *Small Footprint Design*

SaniServ® model 108HP offers frozen product visibility in reliable, space saving equipment and design! Owners and operators can turn the countertop into a highly colorful profit center by providing the frozen beverages customers enjoy!

✓ EASY CLEANING AND OPERATION - *Fewer Parts = Simplified Cleaning*

SaniServ® equipment is designed and built with the fewest parts to be disassembled, cleaned and sanitized than any other machine in the industry.

✓ HIGH RETURN ON INVESTMENT - *Increased Profits*

SaniServ® machines combine affordable efficiency with consistent product quality and fast, quiet operation to insure customer satisfaction with high profit frozen beverages.

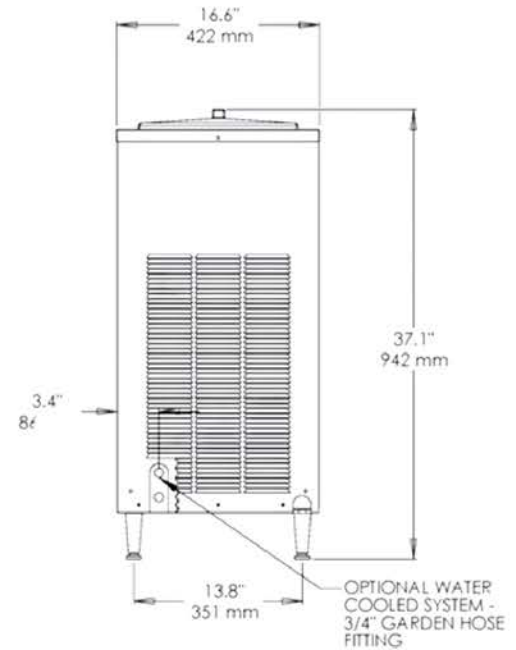
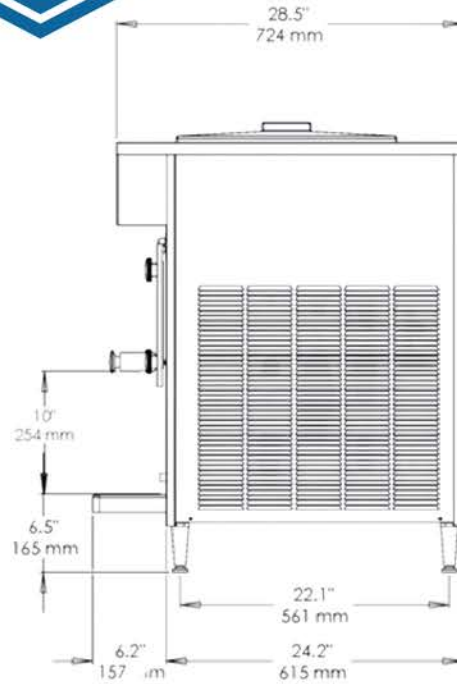
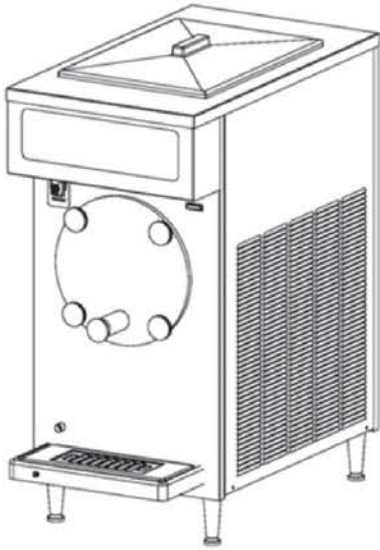
✓ QUALITY DESIGN - *Durability*

SaniServ® machines are built to achieve long and dependable life through simplicity of design. Every machine is shipped standard with a stainless steel exterior, durable steel interior frame construction, heavy-duty components and consistency systems.

MODEL 108HP

HIGH PERFORMANCE

Minimum Wall Clearance
Both Sides and Back
6 inches (152 mm)



ELECTRICAL				WIDTH	HEIGHT	DEPTH	WEIGHT	VOLUME
VOLTS	Hz	Ph.	Amps	INCHES (MM)	INCHES (MM)	INCHES (MM)	LBS. (Kg)	CU FT. (cu. m.)
208-230	60	1	25	16.6 (422)	37.1 (942)	28.5 (724)	210 (95)	
208-230	60	3	20					
Shipping Specifications				22.5 (572)	41 (1042)	34.5 (876)	285 (129)	18.5 (.53)

SPECIFICATIONS

Cooling System:

Air or Water

Dasher and Compressor

Motors:

1/2 HP Dasher

1 HP Compressor

Refrigerator Type:

R404A

Listings:

UL, cUL, NSF

FEATURES

Evaporator and Mix Reservoir

Capacity:

25 Quarts (23.6 liters)

Dasher:

Heavy-Duty Stainless Steel with low friction scraper blades.

Controls:

Automatic consistency controls for improved product consistency.

Solid State Audio/Visual Mix Out System

WARRANTY

Parts

1 year

Compressor

5 years

Evaporator

5 years

Options:

Tune Up Kit

Drink Spinner

Counter Top Mounting Pad

Machine Stand

Wash Out Kit - 3/8" Flare Fitting

Export Voltages