



STAINLESS STEEL CONCEALED SINK DRAWER 7-PS-47



Conforms To NSF 61/9 Lead Free Requirements

Take Back Your Countertop Space!



Item #:	_____	Qty #:	_____
Model #:	_____		
Project #:	_____		

FEATURES:

Easily installs into existing Advance Tabco work tables/countertops or integrates into custom fabrication.

Overall Size: 22 5/8" W x 19 7/8" L x 19 1/4"H.

10" X 14" x 5" deep sink bowl.

Pre-drilled holes in flanges for easy mounting.

Integral drawer slides for smooth operation.

"Safety Stop" tab.

K-50 Swing Spout Faucet.

1-1/2" Stainless Steel Sink Drain & Strainer Plate.

Drainage Pan with 1-1/2" Stainless Steel Drain & Strainer Plate (PVC Drain pipe included).

CONSTRUCTION:

All TIG welded.

Welded areas blended to match adjacent surfaces and to a satin finish.

MATERIAL:

16 gauge stainless steel interior.

18 gauge exterior.

MECHANICAL:

Integral Drawer Slides.

Faucet supply is 1/2" IPS male thread hot and cold.

1-1/2" Stainless Steel Drain with 1-1/2" IPS.

NOTE: Sink Drawer can not be installed in 24" Wide Tables.



Includes K-50
Swing Spout Faucet



Drawer Safety Stop Tab



Integral Drawer Slides
For Smooth Operation



Easily Mounts to
Advance Tabco Tables
(For mounting on other equipment,
use TA-90 Brackets)

WARNING: Equipment that includes a faucet may expose you to chemicals, including lead, that are known to the State of California to cause cancer or birth defects or other reproductive harm. For more info, visit www.p65warnings.ca.gov.



Customer Service Available To Assist You **1-800-645-3166** 8:30 am - 7:00 pm E.S.T.

For Orders & Customer Service:

Email: customer@advancetabco.com or Fax: 631-242-6900

For Smart Fabrication™ Quotes:

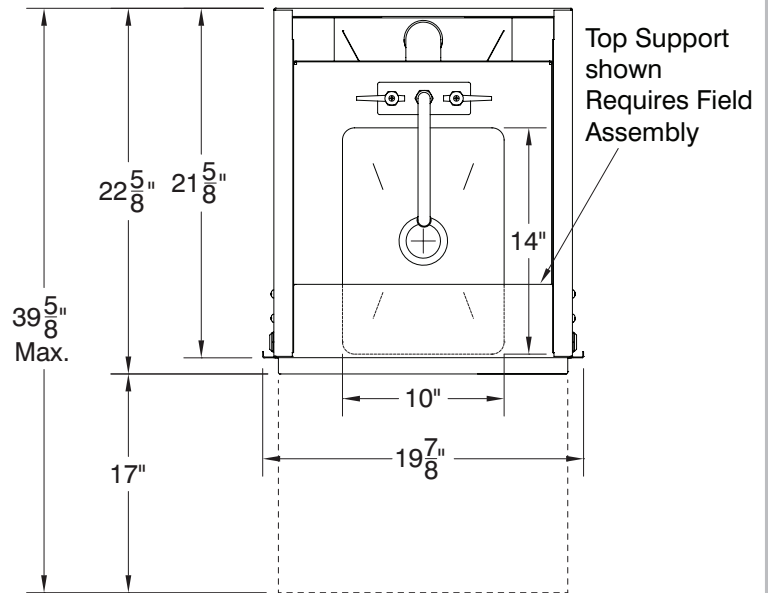
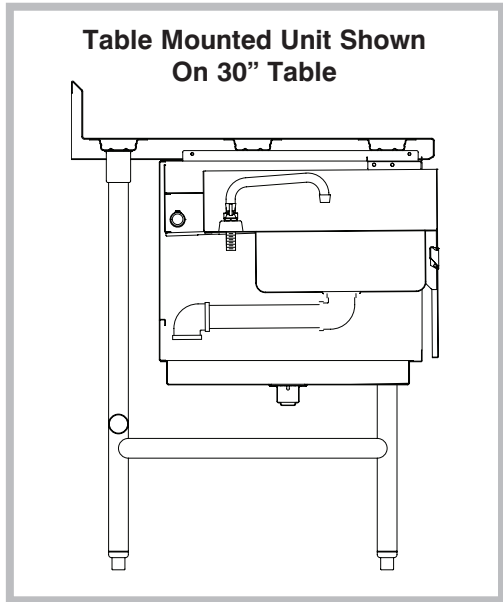
Email: smartfab@advancetabco.com or Fax: 631-586-2933

DIMENSIONS and SPECIFICATIONS

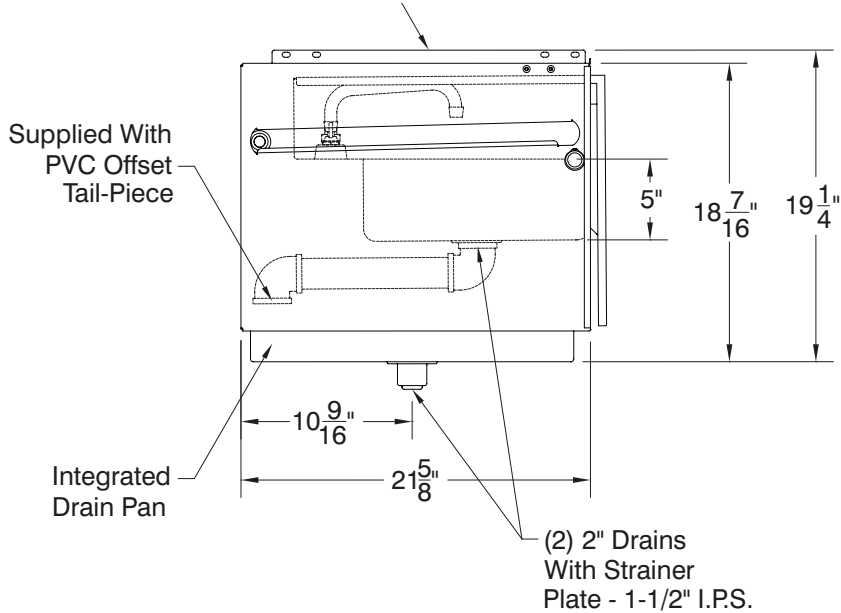
TOL ± .500"

ALL DIMENSIONS ARE TYPICAL

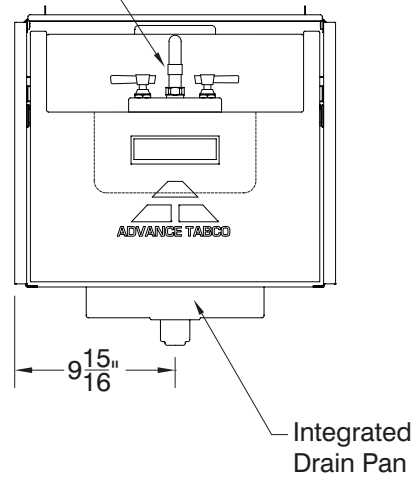
7-PS-47



Mounts To Existing Advance Tabco Tables
(For Other Equipment use TA-90 Brackets)



K-50
8" Swing Spout Faucet



70 lbs.

