

"CUCE" CUCINA AMERICANA COLLECTION *Maple Cucina Eleganté Carts - 1½" Thick Edge Grain Top*

FEATURES:

- Northern Hard Rock Maple
- Edge Grain Construction
- Soft-Close Drawer
- Includes Stainless Steel Towel Bar
- Food Service Grade Locking Casters
- Varnique Finish

CERTIFICATIONS:



NHLA



CUCE30
(WITH GRK10-8)



DROP LEAF



GALLEY RAILS (GRK10-8)



CUCE40-ND



CUCE50

ACCESSORIES

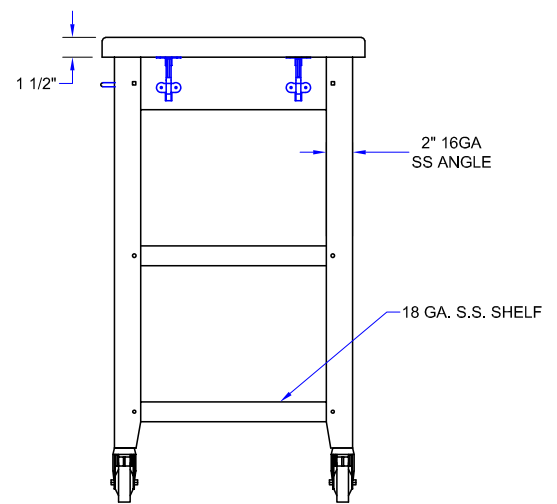
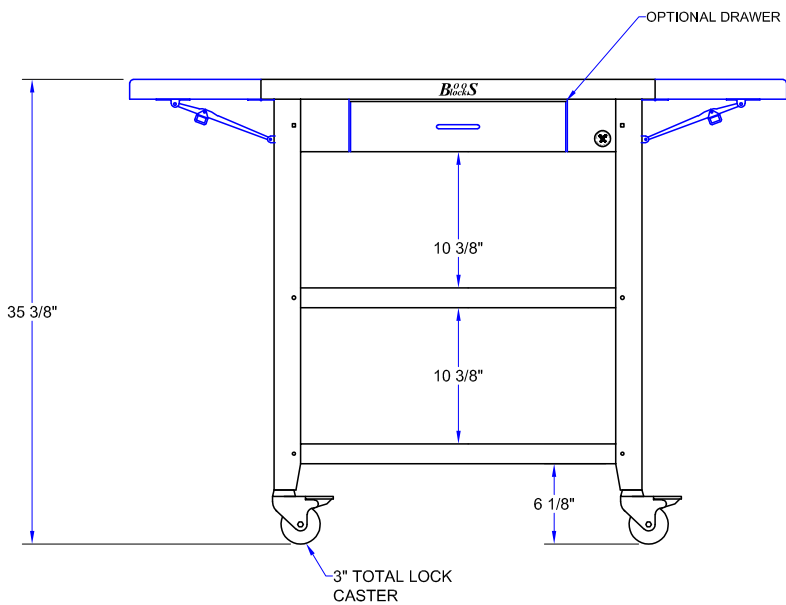
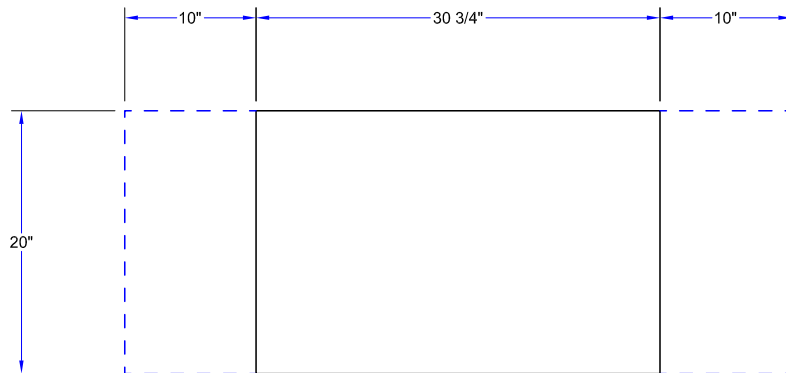
MODEL	DESCRIPTION
GRK10-8	Galley Rails - Set Of 8 (Hardware Included)

"CUCE" CUCINA ELEGANTÉ CARTS

WITH DRAWER	WT. (LBS)	NO DRAWER	WT. (LBS)	DESCRIPTION	TOP SIZE (L X W X H)	OVERALL HEIGHT
CUCE30	83	CUCE30-ND	73	No Drop Leaves	30-3/4"x20"x1-1/2"	35"
CUCE40	91	CUCE40-ND	79	(1) 10" Drop Leaf -LH	40-3/4"x20"x1-1/2"	35"
CUCE50	100	CUCE50-ND	88	(2) 10" Drop Leaves	50-3/4"x20"x1-1/2"	35"

ALL DIMENSIONS ARE TYPICAL. TOLERANCE +/- .500". JOHN BOOS & CO. RESERVES THE RIGHT TO CHANGE SPECIFICATIONS WITHOUT NOTICE.

DETAILED SPECIFICATIONS



"CUCE" CUCINA ELEGANTÉ CARTS

WITH DRAWER	WT. (LBS)	NO DRAWER	WT. (LBS)	DESCRIPTION	TOP SIZE (L X W X H)	OVERALL HEIGHT
CUCE30	83	CUCE30-ND	73	No Drop Leaves	30-3/4"x20"x1-1/2"	35"
CUCE40	91	CUCE40-ND	79	(1) 10" Drop Leaf -LH	40-3/4"x20"x1-1/2"	35"
CUCE50	100	CUCE50-ND	88	(2) 10" Drop Leaves	50-3/4"x20"x1-1/2"	35"

ALL DIMENSIONS ARE TYPICAL. TOLERANCE +/- .500". JOHN BOOS & CO. RESERVES THE RIGHT TO CHANGE SPECIFICATIONS WITHOUT NOTICE.