



STAINLESS STEEL  
**CORNER DISHTABLES**  
**WITH 3 COMPARTMENT FABRICATED SINKS**

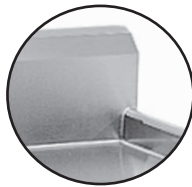


Item #: \_\_\_\_\_ Qty #: \_\_\_\_\_

Model #: \_\_\_\_\_

Project #: \_\_\_\_\_

**10-1/2" EXTRA LARGE**  
**Bold Looking Backsplash**  
**with 2" return and tile edge**



**FEATURES:**

3 Compartment 20" x 20" x 12" Sink Bowls.  
 Tile edge for ease of installation.  
 Sink bowls positioned to optimize maximum work surface area.

**CONSTRUCTION:**

All TIG welded.  
 16 Gauge Stainless Steel (For 14 Gauge Upgrade Add **DTA-49**).  
 Stainless Steel Adjustable Legs and Cross Bracing.  
 Stainless Steel Bullet Feet.  
 Gussets welded to Stainless Steel Channels.  
 Welded areas blended to match adjacent surfaces and to a satin finish.

**MECHANICAL:**

Faucet holes in splash punched on 8" centers. (Faucet not included)  
 Waste drains are 1 1/2" IPS and are included.

Model #	Length (L)	Bowl Size A X B X C	Drainboard Size (D)	E	F	G	Approx. Weight
DTC-3-K20-72LorR*	71"	20" x 20" x 12"	24"	20"	17"	23"	270 lbs.
DTC-3-K20-96LorR*	95"	20" x 20" x 12"	48"	20"	17"	23"	310 lbs.

\*Requires Two Faucets

**Prerinse Baskets with Welded Slide Bar  
 For Fabricated Bowls**

Model #	Fits Bowls	Wt.	Cu.
DTA-100	20" x 20" x 4"	12 lbs.	1



DTA-100  
Shown

**Twist Handle  
 Operated Drain**

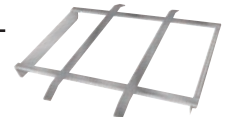


**Twist Handle  
 Support Bracket**



**Prerinse Slide Bars For Fabricated Bowls**

Model #	Fits Bowls	Wt.	Cu.
DTA-60	20" x 20"	9 lbs.	1



**Twist Handle Drain  
 with Overflow**



**Customer Service Available To Assist You 1-800-645-3166 8:30 am - 7:00 pm E.S.T.**

For Orders & Customer Service:

Email: customer@advancetabco.com or Fax: 631-242-6900

For Smart Fabrication™ Quotes:

Email: smartfab@advancetabco.com or Fax: 631-586-2933

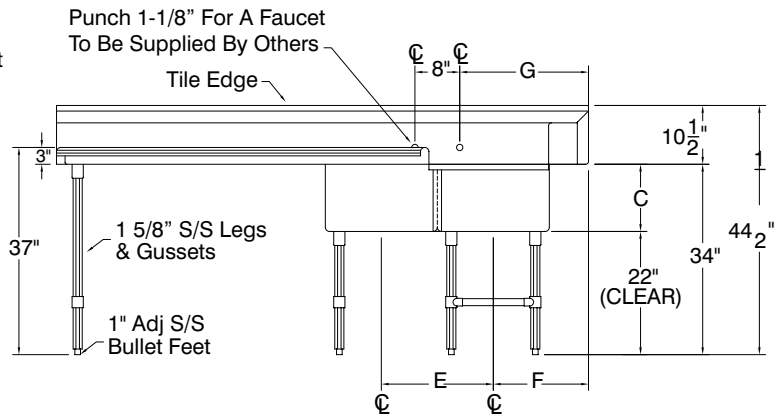
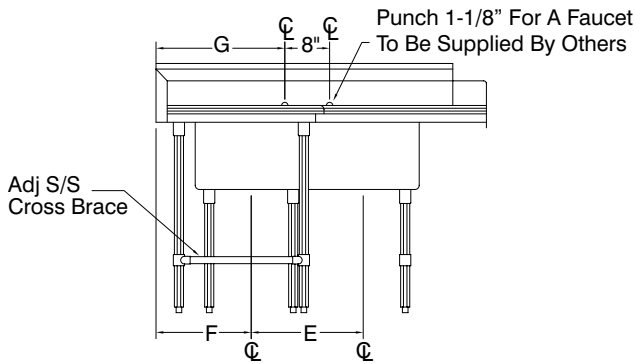
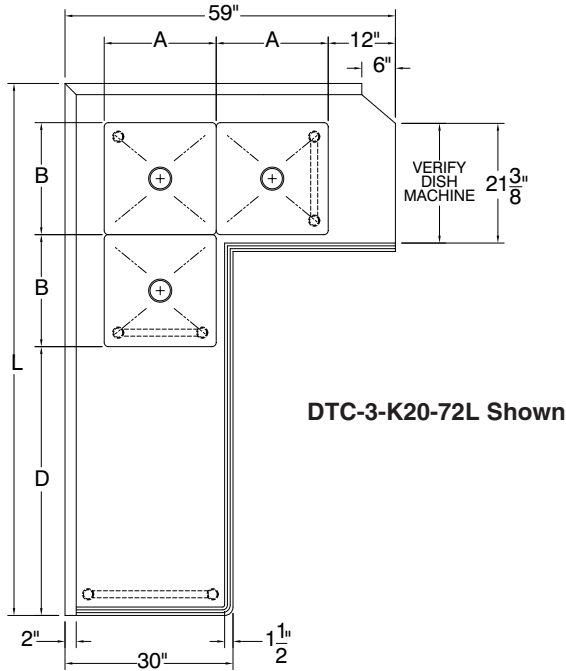
# DIMENSIONS and SPECIFICATIONS

ALL DIMENSIONS ARE TYPICAL

TOL ± .500"

**SEE DISH MACHINE COMPATIBILITY CHART TO ENSURE PROPER FIT**

Dish Machine Compatibility Chart can be found on our website at [www.advancetabco.com](http://www.advancetabco.com) under "Product Support"



**Must verify machine for Control Box or Drive Unit Interference.**

