

"TNS" WOOD TOP WORK TABLES

w/Stainless Steel Base & Shelf - 2 1/4" Thick Top

FEATURES:

- 2-1/4" Thick Northern Hard Rock Maple Top, Style "BKSC" Flat Top
- Maple Top w/Oil Finish w/Optional Varnique Finish
- Stainless Steel Base And Adjustable Undershelf
- Adjustable Bullet Feet
- Shipped Knocked-Down, Easy-To-Assemble

SPECIFICATIONS:

- Top: Northern Hard Rock Maple
- Legs: 1-5/8" Round O.D. 16GA Type 300 Tubular Stainless Steel w/#4 Polish, Satin Finish
- Shelf: 18GA Type 300 Tubular Stainless Steel w/ #4 Polish, Satin Finish
- Gussets: Stainless Steel
- Feet: 1" Adjustable Stainless Steel

CERTIFICATIONS:



ACCESSORIES

DESCRIPTION

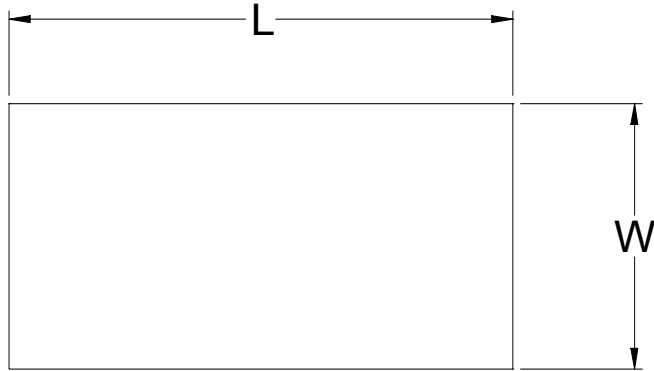
- Drawer
- Drawer Lock
- Casters
- Overshelves
- Pot Rack

"TNS" WOOD TOP WORK TABLES

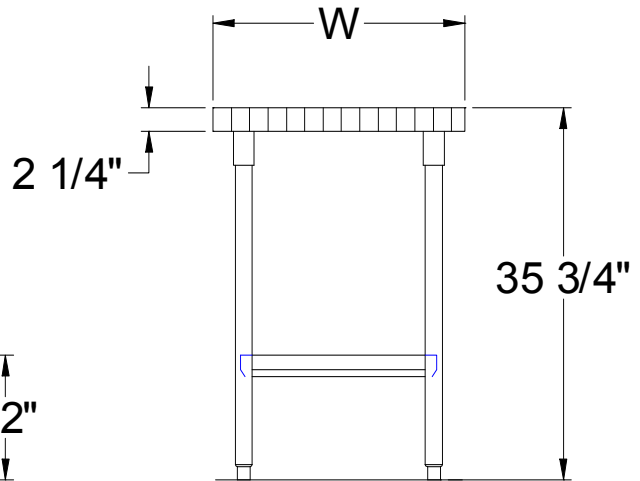
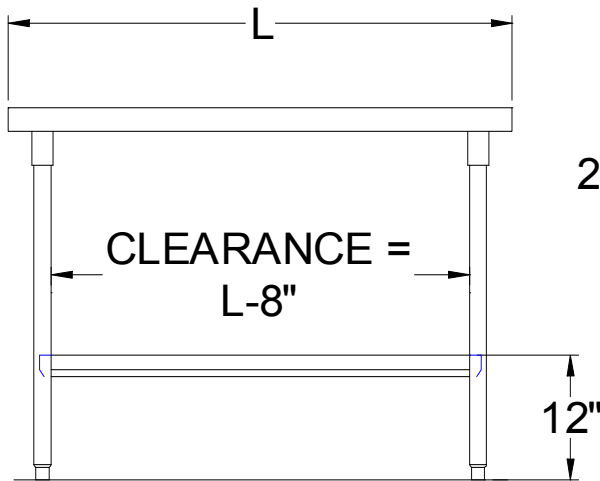
LENGTH	24" WIDE	WT (LBS)	30" WIDE	WT (LBS)	36" WIDE	WT (LBS)
36"	TNS01	90	TNS07	107	TNS13	122
48"	TNS02	112	TNS08	138	TNS14	158
60"	TNS03	136	TNS09	167	TNS15	192
72"	TNS04	165	TNS10	197	TNS16	227
84"	TNS04A	192	TNS10A	236	TNS16A	271
96"	TNS05	221	TNS11	267	TNS17	306
108"	TNS05A	240	TNS11A	293	TNS17A	338
120"	TNS06	264	TNS12	322	TNS18	372

ALL DIMENSIONS ARE TYPICAL. TOLERANCE +/- .500". JOHN BOOS & CO. RESERVES THE RIGHT TO CHANGE SPECIFICATIONS WITHOUT NOTICE.

DETAILED SPECIFICATIONS



Units 7 Ft. & Larger Are
Furnished With Six Legs
Shelf Length = Length Minus 4.875"
Shelf Width = Width Minus 4.25"



"TNS" WOOD TOP WORK TABLES

LENGTH	24" WIDE	WT (LBS)	30" WIDE	WT (LBS)	36" WIDE	WT (LBS)
36"	TNS01	90	TNS07	107	TNS13	122
48"	TNS02	112	TNS08	138	TNS14	158
60"	TNS03	136	TNS09	167	TNS15	192
72"	TNS04	165	TNS10	197	TNS16	227
84"	TNS04A	192	TNS10A	236	TNS16A	271
96"	TNS05	221	TNS11	267	TNS17	306
108"	TNS05A	240	TNS11A	293	TNS17A	338
120"	TNS06	264	TNS12	322	TNS18	372

ALL DIMENSIONS ARE TYPICAL. TOLERANCE +/- .500". JOHN BOOS & CO. RESERVES THE RIGHT TO CHANGE SPECIFICATIONS WITHOUT NOTICE.