



### Special Features:

- ✓ Standard Duty Work Tables
- ✓ Work Area: Stainless Flat Top 6-1/2ft<sup>2</sup> - 20ft<sup>2</sup>
- ✓ Sturdy 18-Gauge 304 Stainless Steel Work Area
- ✓ High Loading Capacity for Work Area & Undershelf
- ✓ Undershelf Material: 18-Gauge Galvanized Steel
- ✓ No Backsplash
- ✓ Galvanized Steel Hat Channel
- ✓ Galvanized Steel Legs With 1-5/8" Diameter
- ✓ Plastic Adjustable Bullet Feet

### About Empura Standard Duty Work Tables:

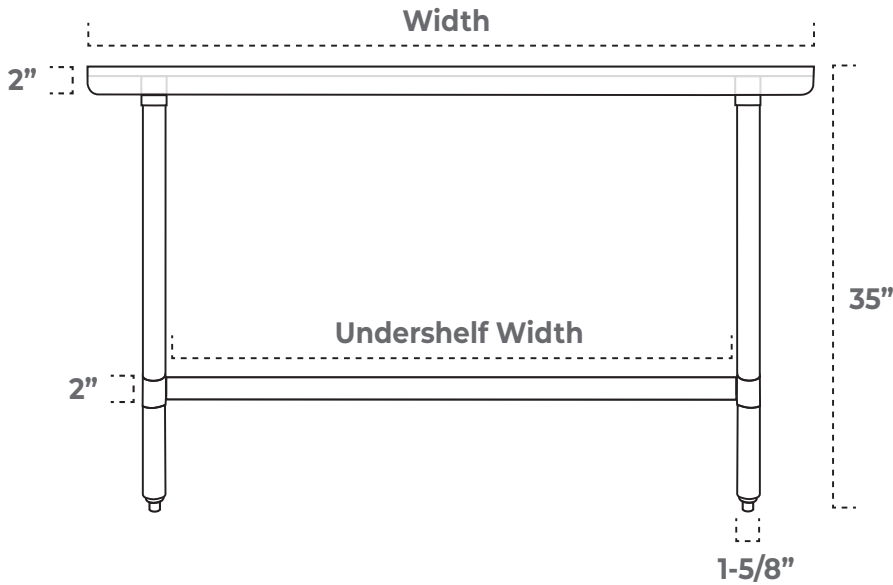
Empura work tables are an economical choice when looking to update, or expand your existing working and storage area. The heavy duty 18 gauge 304 stainless steel and 18 gauge galvanized construction, strong undershelf, easily adjustable feet, and 1-5/8" diameter legs makes these work tables the sturdy and dependable workhorse models that kitchen staff can rely on to provide unwavering stability and support for whatever task they need to accomplish.

### TECHNICAL SPECS

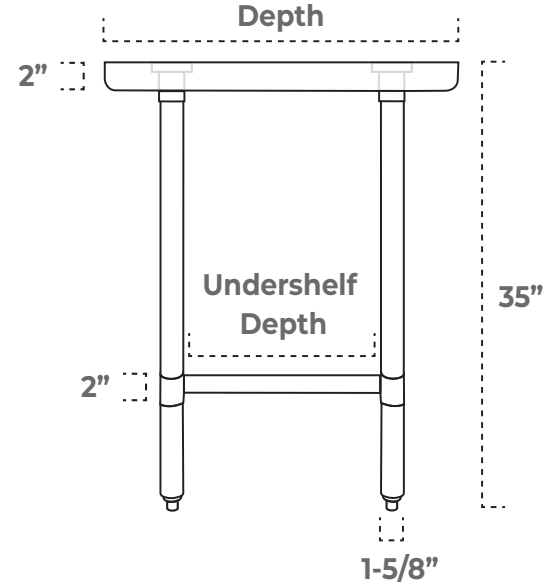
Model #	WT3030	WT3036	WT3048	WT3060	WT3072	WT3096
Overall Width	30"	36"	48"	60"	72"	96"
Overall Depth	30"	30"	30"	30"	30"	30"
Overall Height	35"	35"	35"	35"	35"	35"
Leg Diameter	1-5/8"	1-5/8"	1-5/8"	1-5/8"	1-5/8"	1-5/8"
Undershelf Width	24"	30"	42"	54"	66"	90"
Undershelf Depth	24"	24"	24"	24"	24"	24"
Shelf Thickness	2"	2"	2"	2"	2"	2"
Backsplash Height	N/A	N/A	N/A	N/A	N/A	N/A
Top Shelf Loading Capacity	440 lb.	470 lb.	500 lb.	520 lb.	540 lb.	560 lb.
Undershelf Loading Capacity	330 lb.	350 lb.	370 lb.	390 lb.	410 lb.	480 lb.
Shipping Weight	47.3 lb.	52.8 lb.	66 lb.	77 lb.	88 lb.	118.36 lb.
Top Shelf Material	304 SS	304 SS	304 SS	304 SS	304 SS	304 SS
Top Shelf Gauge	18 G	18 G	18 G	18 G	18 G	18 G
Undershelf Material	Galvanized Steel	Galvanized Steel	Galvanized Steel	Galvanized Steel	Galvanized Steel	Galvanized Steel
Undershelf Gauge	18 G	18 G	18 G	18 G	18 G	18 G
Hat Channel Material	Galvanized Steel	Galvanized Steel	Galvanized Steel	Galvanized Steel	Galvanized Steel	Galvanized Steel
Leg Material	Galvanized Steel	Galvanized Steel	Galvanized Steel	Galvanized Steel	Galvanized Steel	Galvanized Steel
Foot Material	Plastic	Plastic	Plastic	Plastic	Plastic	Plastic

## UNIT VIEW

Front View



Side View



Top View



**Intended For Commercial Use Only.** Empura assumes no liability for component failure, factory defects or any other damages for units installed in non-commercial foodservice or residential applications.

**Attention CA Residents:** This product can expose you to chemicals including lead, which are known to the State of California to cause cancer, birth defects, or other reproductive harm. For more information, go to [www.p65warnings.ca.gov](http://www.p65warnings.ca.gov).