



Special Features:

- ✓ 18-Gauge Type 430 Stainless Steel Shelves
- ✓ 20 Gauge Type 201 Stainless 1" Steel Tubing Legs
- ✓ 12" & 18" Depth Available
- ✓ Sturdy 1.5" Thick Shelf Deck
- ✓ Mounting Brackets Included
- ✓ All Seams Welded & Polished
- ✓ No Burrs or Sharp Edges
- ✓ Very Easy to Assemble
- ✓ NSF Listed



About Empura Table Mounted Overshelves:

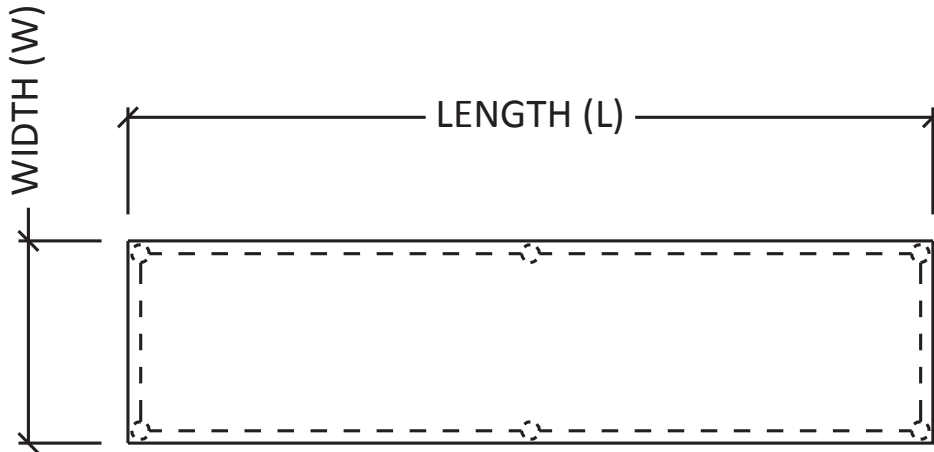
Empura overshelves are the perfect solution when looking to update or expand your in-reach storage options to streamline your cooking and prep stations. Made with heavy duty Type 430 18-gauge stainless steel these shelves can stand up to constant use day in and day out in a busy commercial kitchen. These shelves stand on sturdy legs made of 20-gauge type 201 stainless steel tubing that provide stability and support for safely storing items above table level.

TECHNICAL SPECS

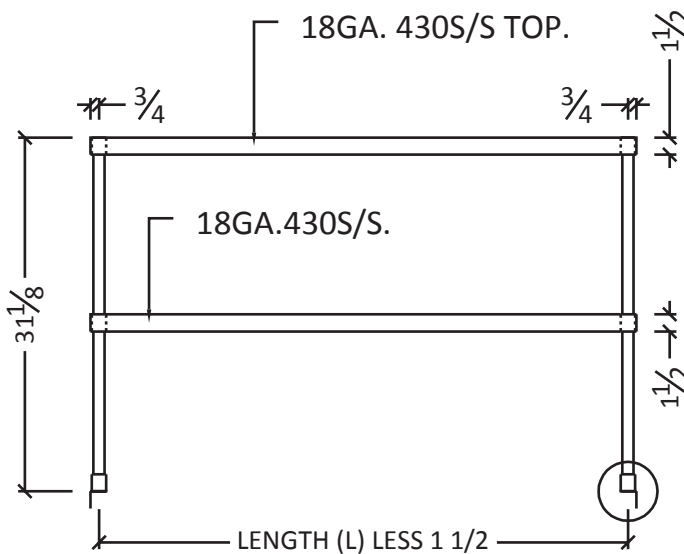
Model #	EDOS1236	EDOS1248	EDOS1260	EDOS1272	EDOS1836	EDOS1848	EDOS1860	EDOS1872
Shelf Width	36"	48"	60"	72"	36"	48"	60"	72"
Shelf Depth	12"	12"	12"	12"	18"	18"	18"	18"
Shelf Height	32"	32"	32"	32"	32"	32"	32"	32"
Number of Shelves	2	2	2	2	2	2	2	2
Shelf Thickness	1.5"	1.5"	1.5"	1.5"	1.5"	1.5"	1.5"	1.5"
Shelf Material	Stainless Steel	Stainless Steel	Stainless Steel	Stainless Steel	Stainless Steel	Stainless Steel	Stainless Steel	Stainless Steel
Shelf Material Type	Type 430	Type 430	Type 430	Type 430	Type 430	Type 430	Type 430	Type 430
Shelf Material Gauge	18G	18G	18G	18G	18G	18G	18G	18G
Orientation	Table Mount	Table Mount	Table Mount	Table Mount	Table Mount	Table Mount	Table Mount	Table Mount
Number of Legs	4	4	4	4	4	4	4	4
Leg Material	S/S Tube	S/S Tube	S/S Tube	S/S Tube	S/S Tube	S/S Tube	S/S Tube	S/S Tube
Leg Material Type	Type 201	Type 201	Type 201	Type 201	Type 201	Type 201	Type 201	Type 201
Leg Material Gauge	20	20	20	20	20	20	20	20
Leg Diameter	1"	1"	1"	1"	1"	1"	1"	1"
Mounting Brackets	Included	Included	Included	Included	Included	Included	Included	Included
Certification	NSF	NSF	NSF	NSF	NSF	NSF	NSF	NSF
Weight	28.9 lb	38.9 lb	49.01 lb	59.06 lb	22.2 lb	27.23 lb	32.25 lb	36.86 lb

TECHNICAL DRAWINGS

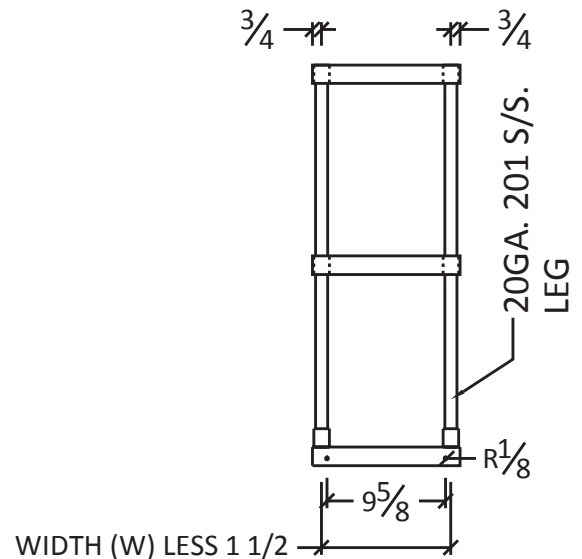
Top View



Front View



Side View



Intended For Commercial Use Only. Empura assumes no liability for component failure, factory defects or any other damages for units installed in non-commercial foodservice or residential applications.

Attention CA Residents: This product can expose you to chemicals including lead, which are known to the State of California to cause cancer, birth defects, or other reproductive harm. For more information, go to www.p65warnings.ca.gov.