



**LUCKY TOWERS**  
Century System



**4041-2B**  
*Drip pans sold separately*

JOB	
AREA	
ITEM NO.	
MODEL NO.	

MODELS		
4041-1B	4041-2B	4041-3B
4041GD-1B	4041GD-2B	4041GD-3B

The **Lucky Tower's** sleek, compact design fits a variety of spaces and the single hole mounting profile minimizes the use of valuable bar space.

**Quick Features:**

- Available with 1 to 3 faucets
- Choice of polished chrome or gold finish
- Coordinating drip pan available
- 304 stainless steel shanks ensure purity of flavor from keg to tap
- Faucets and faucet handles not included

MODEL NUMBERS - 4041-1B, 4041-2B, 4041-3B, 4041GD-1B, 4041GD-2B, 4041GD-3B



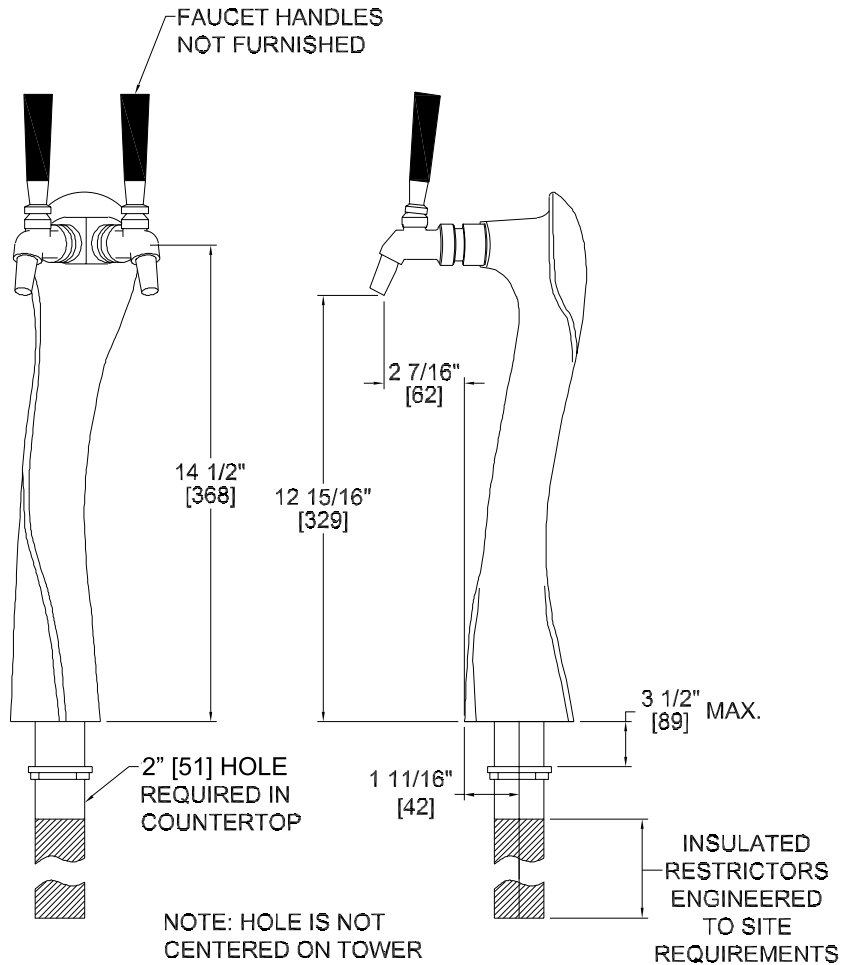
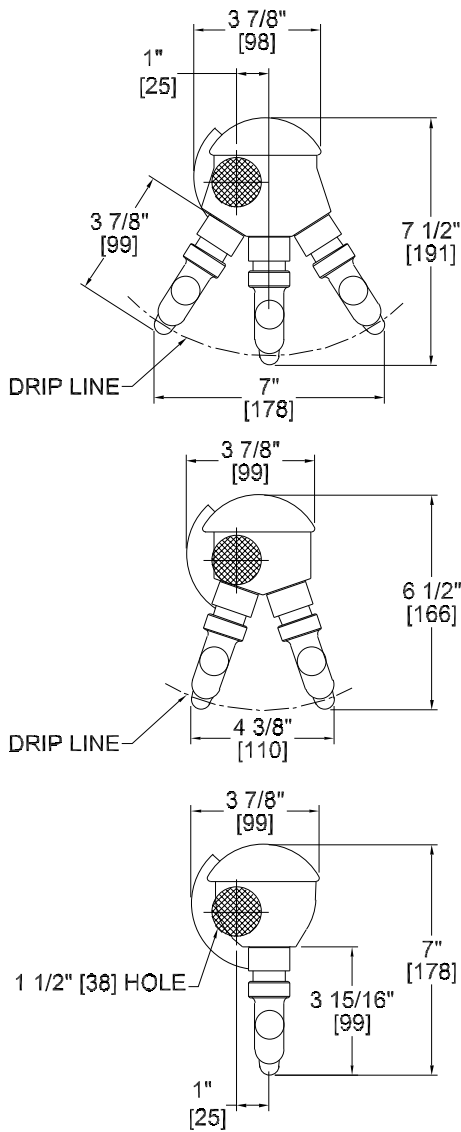
**LUCKY TOWERS**  
Century System

MODEL NOS.	POLISHED CHROME	4041-1B	4041-2B	4041-3B
	POLISHED GOLD	4041GD-1B	4041GD-2B	4041GD-3B
NUMBER OF FAUCETS		1	2	3
FAUCET HEIGHT		16-1/16"		
OVERALL HEIGHT		12-15/16"		

**OPTIONAL DRAIN PANS**

PART NOS.	DESCRIPTION	WIDTH	LENGTH
43839SS	Stainless	16"	16"
43840SS	Stainless	16"	23-7/8"
43840SS-R	Stainless w/ Glass Rinser	16"	23-7/8"
43839G	Gold	16"	16"
43840G	Gold	16"	23-7/8"
CM15722*	Gold w/ Glass Rinser	16"	23-7/8"

\*Please contact Perlick for pricing and lead times on custom modification parts  
Note: 2" holes for mounting towers must be field drilled



MODEL NUMBERS - 4041-1B, 4041-2B, 4041-3B, 4041GD-1B, 4041GD-2B, 4041GD-3B