

FEATURES:

Free-standing Corner Drainboard
 7" High X 1-3/4" Thick Backsplash.
 Removable perforated drainboard top
 Includes stainless steel legs with adjustable stainless steel bullet feet.

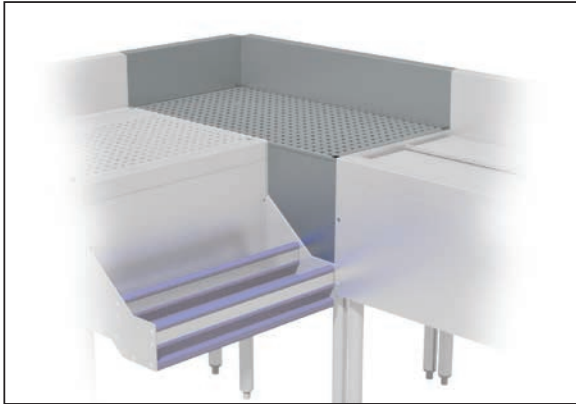
MECHANICAL:

1" IPS drain.
 Removable perforated drainboard top

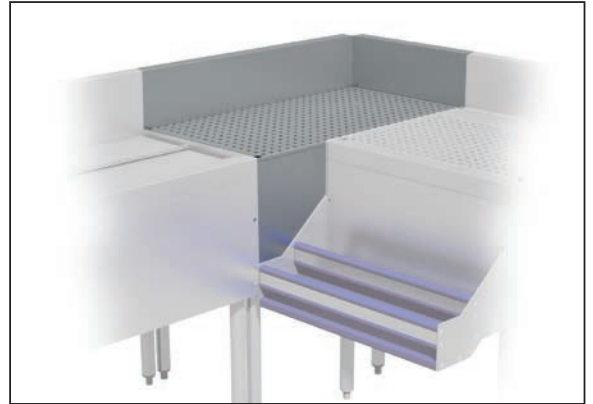
MATERIAL:

20 gauge, 300 stainless steel
Drainboard: 18 gauge, 300 stainless steel

Item #: _____	Qty #: _____
Model #: _____	
Project #: _____	

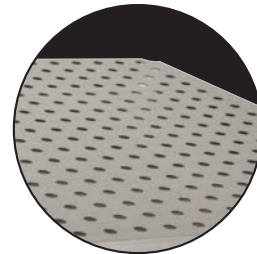


PRFD-3020

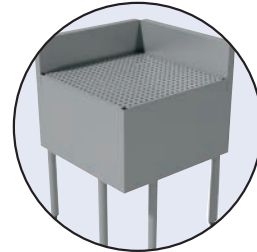


PRFD-2030

Model #	Size* (A) x (B)	Approx. Weight	Approx. Cu. Ft.
PRFD-2020	20" x 20"	68 lbs.	7
PRFD-2025	20" x 25"	72 lbs.	12
PRFD-2030	20" x 30"	78 lbs.	16
PRFD-2035	20" x 35"	82 lbs.	16
PRFD-2520	25" x 20"	69 lbs.	7
PRFD-2525	25" x 25"	73 lbs.	12
PRFD-2530	25" x 30"	79 lbs.	16
PRFD-2535	25" x 35"	83 lbs.	16
PRFD-3020	30" x 20"	78 lbs.	7
PRFD-3025	30" x 25"	79 lbs.	12
PRFD-3030	30" x 30"	82 lbs.	16
PRFD-3035	30" x 35"	86 lbs.	16
PRFD-3520	35" x 20"	82 lbs.	16
PRFD-3525	35" x 25"	83 lbs.	16
PRFD-3530	35" x 30"	86 lbs.	16
PRFD-3535	35" x 35"	90 lbs.	16



Features
 Removable Perforated
 Drainboard Top



Includes
 Stainless Steel Legs
 w/ Adjustable Stainless
 Steel Bullet Feet

PLEASE NOTE: FILLERS BUILT TO ORDER & CAN NOT BE RETURNED

CUSTOM SIZES AVAILABLE - Consult Factory For Details

DIMENSIONS and SPECIFICATIONS

TOL Overall: $\pm .500"$ Interior: $\pm .250"$

ALL DIMENSIONS ARE TYPICAL

PRFD Series

