



Profit from the Eagle Advantage®

Specification Sheet

Short Form Specifications

Eagle Spec-Master® Two-Compartment Sinks, model _____ . Unit constructed of 14 gauge 300 series, 18-8 stainless steel throughout. Sink bowls covered with a full 5/8" radius, and shall have a 14" water level. Drainboards, when required, shall be "V" creased for positive drainage. 9 1/2" high backsplash with 1" upturn and tile edge. Legs to be 1 1/2" O.D., stainless steel, with stainless steel gussets, stainless steel crossbracing and adjustable stainless steel bullet feet.



2-compartment sink (faucet not included)

Options / Accessories

- Lever drain
- Lever drain with overflow
- Twist handle drains
- Overflow hole
- Sink kits
- Faucets
- Polyboard sink covers
- Stainless steel sink covers
- Skirted front panel

Assembly:

- Entire assembly is fuse-welded and planished, providing a one-piece seamless sink unit.
- Welded areas are high-speed belt blended to match adjacent surfaces with continuity of satin finish.
- All outside corners of assembly are bullnosed to provide safe, clean edges.
- Water supply is 1/2" (13mm) NPS for hot and cold lines.

EAGLE GROUP

100 Industrial Boulevard, Clayton, DE 19938-8903 USA
Phone: 302-653-3000 • Fax: 302-653-2065
www.eaglegrp.com

Foodservice Division: Phone 800-441-8440

MHC/Retail Display Divisions: Phone 800-637-5100

For custom configuration or fabrication needs, contact our SpecFAB® Division.

Phone: 302-653-3000 • Fax: 302-653-2065 • e-mail: quotes@eaglegrp.com

Item No.: _____
 Project No.: _____
 S.I.S. No.: _____

Spec-Master® FN Series Coved Corner Two-Compartment Sinks

MODELS:

- FN2032-2-*
- FN2036-2-*
- FN2040-2-*
- FN2448-2-*
- FN2840-2-*

* See table on back for complete model numbers.

Top:

- Drainboards, backsplash and rolled rims are 14 gauge 300 series stainless steel.
- Drainboards, when provided, are integrally welded.
- All rolled edges are highlighted for enhanced appearance.
- 9 1/2" high backsplash with 1" upturn and tile edge.
- 1 1/8" (29mm) faucet holes punched on 8" (203mm) centers.

Base:

- Legs: 1 1/2" (41mm)-diameter stainless steel tubing with stainless steel gussets and fully adjustable stainless steel bullet feet.
- Crossbracing: Adjustable, 1 1/4" (32mm)-diameter stainless steel; running left-to-right and front-to-back.
- Leg locations fall directly under sink bowls*, providing increased stability and maximum weight support.
- Leg gussets welded to a die-cut heavy-gauge stainless steel reinforcing corner plate.
- Legs are crossbraced on all sides for increased stability.

Sink Bowls:

- 14 gauge 300 series stainless steel.
- 14" (356mm) water level, 17" (432mm) flood level.
- Sink compartments are coved on a full 5/8" (41mm) radius and constructed using state-of-the-art seamless welding techniques.
- Basket-type waste drain fits sink bowls' 3 1/2" (89mm) opening and features 1 1/2" (38mm) outlet.

* On sinks with drainboard(s) 30" or longer, legs are located underneath the outer end of drainboard(s).

Certifications / Approvals



AutoQuotes



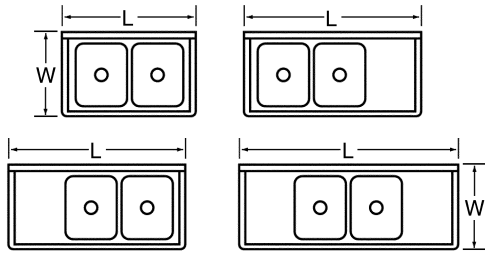
Spec sheets available for viewing, printing or downloading from our online literature library at www.eaglegrp.com



Profit from the Eagle Advantage®

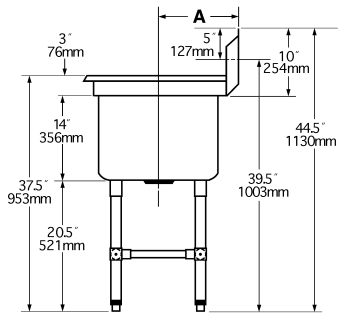
Item No.: _____
 Project No.: _____
 S.I.S. No.: _____

Spec-Master® FN Series Coved Corner Two-Compartment Sinks



Drain location for rough-in

bowl width	bowl length	Dimension A	
in. mm	in. mm	in.	mm
20" 508	16" 406	14"	356
20" 508	18" 457	14"	356
20" 508	20" 508	14"	356
24" 610	24" 610	16"	406
28" 711	20" 508	18"	457



model #	BOWL DIMENSIONS				quantity	DRAINBOARD		OVERALL DIMENSIONS				weight	
	width		length			length		width		length		lbs.	kg
	in.	mm	in.	mm		in.	mm	in.	mm	in.	mm		
FN2032-2-14/3	20"	508	16"	406	0	-	27"	686	39"	991	77	34.9	
FN2032-2-18R or L-14/3	20"	508	16"	406	1	18"	457	27"	686	55½"	1410	96	43.6
FN2032-2-18-14/3	20"	508	16"	406	2	18"	457	27"	686	72"	1829	115	52.2
FN2032-2-24R or L-14/3	20"	508	16"	406	1	24"	610	27"	686	61½"	1562	102	46.3
FN2032-2-24-14/3	20"	508	16"	406	2	24"	610	27"	686	84"	2134	127	57.6
FN2032-2-30R or L-14/3	20"	508	16"	406	1	30"	762	27"	686	67½"	1715	107	48.5
FN2032-2-30-14/3	20"	508	16"	406	2	30"	762	27"	686	96"	2438	137	62.1
FN2032-2-36R or L-14/3	20"	508	16"	406	1	36"	914	27"	686	73½"	1867	112	50.8
FN2032-2-36-14/3	20"	508	16"	406	2	36"	914	27"	686	108"	2743	147	66.7
FN2036-2-14/3	20"	508	18"	457	0	-	27"	686	43"	1092	82	37.2	
FN2036-2-18R or L-14/3	20"	508	18"	457	1	18"	457	27"	686	59½"	1511	101	45.8
FN2036-2-18-14/3	20"	508	18"	457	2	18"	457	27"	686	76"	1930	120	54.4
FN2036-2-24R or L-14/3	20"	508	18"	457	1	24"	610	27"	686	65½"	1664	107	48.5
FN2036-2-24-14/3	20"	508	18"	457	2	24"	610	27"	686	88"	2235	132	59.9
FN2036-2-30R or L-14/3	20"	508	18"	457	1	30"	762	27"	686	71½"	1816	112	50.8
FN2036-2-30-14/3	20"	508	18"	457	2	30"	762	27"	686	100"	2540	142	64.4
FN2036-2-36R or L-14/3	20"	508	18"	457	1	36"	914	27"	686	77½"	1969	117	53.1
FN2036-2-36-14/3	20"	508	18"	457	2	36"	914	27"	686	112"	2845	152	68.9
FN2040-2-14/3	20"	508	20"	508	0	-	27"	686	47"	1194	86	39.0	
FN2040-2-18R or L-14/3	20"	508	20"	508	1	18"	457	27"	686	63½"	1613	105	47.6
FN2040-2-18-14/3	20"	508	20"	508	2	18"	457	27"	686	80"	2032	124	56.2
FN2040-2-24R or L-14/3	20"	508	20"	508	1	24"	610	27"	686	69½"	1763	111	50.3
FN2040-2-24-14/3	20"	508	20"	508	2	24"	610	27"	686	92"	2337	136	61.7
FN2040-2-30R or L-14/3	20"	508	20"	508	1	30"	762	27"	686	75½"	1918	116	52.6
FN2040-2-30-14/3	20"	508	20"	508	2	30"	762	27"	686	104"	2642	146	66.2
FN2040-2-36R or L-14/3	20"	508	20"	508	1	36"	914	27"	686	81½"	2070	121	54.9
FN2040-2-36-14/3	20"	508	20"	508	2	36"	914	27"	686	116"	2946	156	70.8
FN2448-2-14/3	24"	610	24"	610	0	-	31"	787	55"	1397	91	41.3	
FN2448-2-18R or L-14/3	24"	610	24"	610	1	18"	457	31"	787	71½"	1816	110	49.9
FN2448-2-18-14/3	24"	610	24"	610	2	18"	457	31"	787	88"	2235	129	58.5
FN2448-2-24R or L-14/3	24"	610	24"	610	1	24"	610	31"	787	77½"	1969	116	52.6
FN2448-2-24-14/3	24"	610	24"	610	2	24"	610	31"	787	100"	2540	141	64.0
FN2448-2-30R or L-14/3	24"	610	24"	610	1	30"	762	31"	787	83½"	2121	121	54.9
FN2448-2-30-14/3	24"	610	24"	610	2	30"	762	31"	787	112"	2845	151	68.5
FN2448-2-36R or L-14/3	24"	610	24"	610	1	36"	914	31"	787	89½"	2273	126	57.2
FN2448-2-36-14/3	24"	610	24"	610	2	36"	914	31"	787	124"	3150	161	73.0
FN2840-2-14/3	28"	711	20"	508	0	-	35"	889	47"	1194	96	43.6	
FN2840-2-18R or L-14/3	28"	711	20"	508	1	18"	457	35"	889	63½"	1613	115	52.2
FN2840-2-18-14/3	28"	711	20"	508	2	18"	457	35"	889	80"	2032	134	60.8
FN2840-2-24R or L-14/3	28"	711	20"	508	1	24"	610	35"	889	69½"	1763	121	54.9
FN2840-2-24-14/3	28"	711	20"	508	2	24"	610	35"	889	92"	2337	146	66.2
FN2840-2-30R or L-14/3	28"	711	20"	508	1	30"	762	35"	889	75½"	1918	126	56.7
FN2840-2-30-14/3	28"	711	20"	508	2	30"	762	35"	889	104"	2642	156	70.8
FN2840-2-36R or L-14/3	28"	711	20"	508	1	36"	914	35"	889	81½"	2070	131	59.4
FN2840-2-36-14/3	28"	711	20"	508	2	36"	914	35"	889	116"	2946	166	75.3

EAGLE GROUP
 100 Industrial Boulevard, Clayton, DE 19938-8903 USA
 Phone: 302-653-3000 • Fax: 302-653-2065
 www.eaglegrp.com

Foodservice Division: Phone 800-441-8440
 MHC/Retail Display Divisions: Phone 800-637-5100

Printed in U.S.A.
 ©2018 by Eagle Group

Rev. 02/18

Spec sheets available for viewing, printing or downloading from our online literature library at www.eaglegrp.com

Although every attempt has been made to ensure the accuracy of the information provided, we cannot be held responsible for typographical or printing errors. Information and specifications are subject to change without notice. Please confirm at time of order.