



Project:

Item Number:

Quantity:

MODULAR INDUCTION DRY WELL HOT DROP-INS



ITEMS

Item No.	Description
FC-6IH-01120	One Well, 120V
FC-6IH-01208	One Well, 208-240V
FC-6IH-02120	Two Well, 120V
FC-6IH-02208	Two Well, 208-240V
FC-6IH-03120	Three Well, 120V
FC-6IH-03208	Three Well, 208-240V
FC-6IH-04208	Four Well, 208-240V
FC-6IH-05208	Five Well, 208-240V
FC-6IH-06208	Six Well, 208-240V

FEATURES

- Eliminates the need for water, which reduces maintenance during operation.
- Eliminates the need for drain installation.
- Induction technology provides more efficient and effective temperature control, resulting in less food waste and better food consistency.
- Temperature control 140°- 190°F (60°- 88°C) and three power levels (low, medium, high).
- Individual power and heat control for each well.
- Accommodates full-size and half-size Vollrath induction-ready pans, 2 ½" (6.4 cm) or 4" (10.2 cm) deep.
- Two induction capsules per well creates two warming zones per well.
- Zones can operate independently or be synced.
- Different depth pans can be used in each zone.
- Stainless steel well and top flange blend seamlessly with other commercial food service equipment.
- No drains. Sealed-well design prevents leaks from spilling into cabinet/base.
- Master power button comes standard on two through six well drop-ins to quickly turn all wells on/off with a single push.
- Vollrath induction-ready pans required.
- Includes gasket for under flange.
- Includes standard mounting clips for use on counters up to 3" (7.6 cm) thick for easy installation.
- Same cutout dimensions as other Vollrath modular hot-drop-ins for easy retro-fit.
- Includes 6' (1.8 m) cord with plug. Does not require hard-wiring.
- Control panel cable: 55" (1.4 meters) cable.
- Master power button to control panel cable: 11" (28 cm).

DESCRIPTION

Vollrath's modular induction dry well drop-ins use induction technology to deliver superior hot food holding and precise temperature control in a waterless well.

SHORT DESCRIPTION

Modular induction, dry well hot drop-in, individual well controls, two heat zones per well, master power switch, temperature (°F and °C) and three power levels, flange and full-size wells are 300 series stainless steel, cord with plug, mounting clips.

Note: Orders for drop-ins cannot be canceled or returned.

WARRANTY

All models shown come with Vollrath's standard warranty against defects in materials and workmanship. For full warranty details, please refer to www.Vollrath.com.

CLEARANCE AND ENVIRONMENT REQUIREMENTS

- Drop-in requires: 2" (5.1 cm) of clear space on the long and short sides, and 6" (15.2 cm) below, measured from the bottom of the rating plate. See Operator View drawing on back page for details.
- Requires unrestricted intake and exhaust air ventilation for proper operation of the controls. The maximum intake temperature must not exceed 110°F (43.3°C). Temperatures are measured in ambient air while all appliances are in operation.
- Indoor use only. Room temperature and HVAC can effect performance temperatures.

AGENCY LISTINGS



Due to continued product improvement, please consult www.vollrath.com for current product specifications.

ACCESSORIES

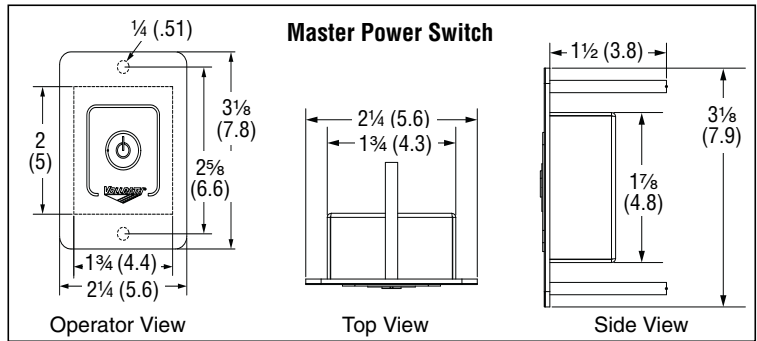
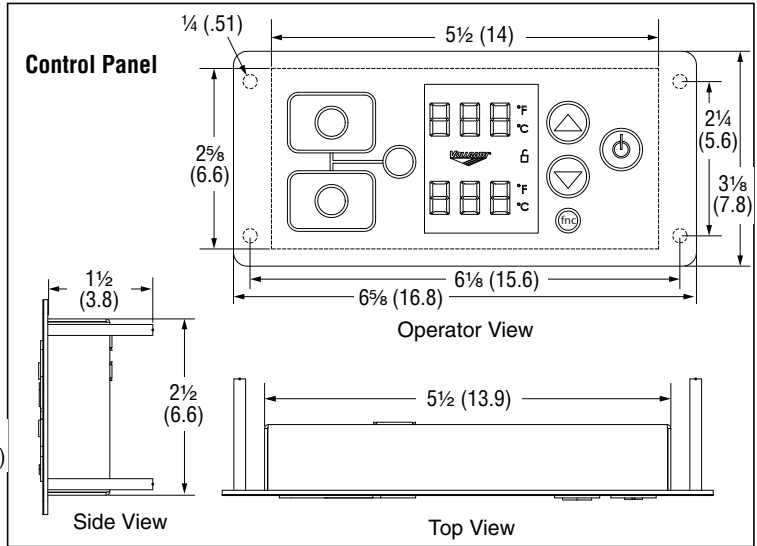
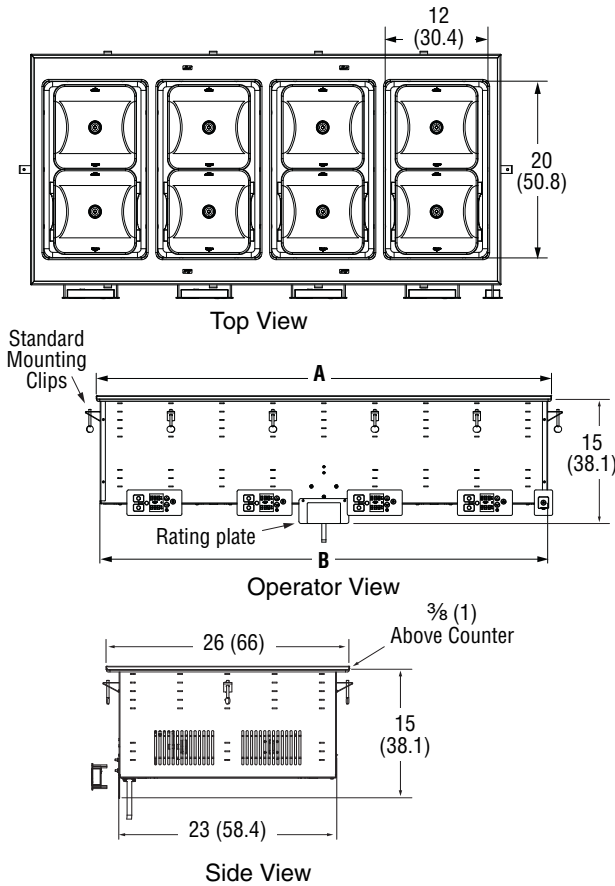
- 5IPF40** Vollrath Induction-ready pan, full-size 4" (10.2 cm) deep
- 5IPF25** Vollrath Induction-ready pan, full-size 2 ½" (6.4 cm) deep
- 5IPH40** Vollrath Induction-ready pan, half-size 4" (10.2 cm) deep
- 5IPH25** Vollrath Induction-ready pan, half-size 2 ½" (6.4 cm) deep

Approvals	Date



MODULAR INDUCTION DRY WELL HOT DROP-INS

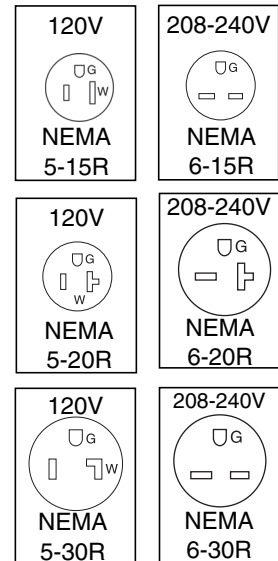
DIMENSIONS (Shown in inches (cm))



SPECIFICATIONS

Item Numbers	No of Wells	Dimensions IN (CM)			Electrical				
		(A) Overall	(B) Drop-in	Cutout	Voltage	Amps	Total Watts	Hz	Plug
FC-6IH-01120	One	15 (38.1)	14 (35.6)	14 1/4 x 25 1/4 (36.2 x 64.1)	120	6.6	800	60	NEMA 5-15P
FC-6IH-01208					208-240	3.3			NEMA 6-15P
FC-6IH-02120	Two	28 3/4 (71.8)	27 1/4 (69.2)	27 1/2 x 25 1/4 (69.9 x 64.1)	120	13.2	1590	60	NEMA 5-20P
FC-6IH-02208					208-240	6.6			NEMA 6-15P
FC-6IH-03120	Three	41 1/2 (105.4)	40 1/2 (102.8)	40 3/4 x 25 1/4 (103.5 x 64.1)	120	19.8	2380	60	NEMA 5-30P
FC-6IH-03208					208-240	9.9			NEMA 6-15P
FC-6IH-04208	Four	54 3/4 (139)	53 3/4 (136.5)	54 x 25 1/4 (137.2 x 64.1)	208-240	13.2	3180	60	NEMA 6-20P
FC-6IH-05208	Five	68 (172.7)	67 (170.2)	67 1/4 x 25 1/4 (170.8 x 64.1)	208-240	16.5	3980	60	NEMA 6-30P
FC-6IH-06208	Six	81 1/4 (206.4)	80 1/4 (203.8)	80 1/2 x 25 1/4 (204.5 x 64.1)	208-240	19.8	4760	60	NEMA 6-30P

Straight Blade Receptacles



Notice: This equipment requires a dedicated electrical circuit.

Notice: Do NOT modify the cord or plug on the drop-in. Modification may damage the drop-in or cause injury, and will void the warranty.



The Vollrath Company, L.L.C.
1236 North 18th Street
Sheboygan, WI 53081-3201 U.S.A.
Customer Service: 800.628.0830
Canada Customer Service: 800.695.8560
Main Fax: 800.752.5620 or 920.459.6573

Technical Services: 800.628.0832
Technical Services Fax: 920.459.5462