



**John  
BOOS**  
Since 1887

ITEM #: \_\_\_\_\_ QTY: \_\_\_\_\_  
 MODEL #: \_\_\_\_\_  
 PROJECT NAME: \_\_\_\_\_

080318

3601 S. Banker St. Effingham, IL 62401 • P.O. BOX 609 • Ph: (888) 431-2667 • Fax: (800) 433-2667

## "DT3PB" CLEAN DISHTABLE/POT SINKS



### FEATURES:

- 16GA STAINLESS STEEL
- TYPE 300 STAINLESS STEEL WITH #4 POLISH, SATIN FINISH
- 14" DEEP BOWLS
- ALL CORNERS, BOTH VERTICAL AND HORIZONTAL, COVED AT 3/4" RADIUS
- BOTTOMS OF BOWLS FORMED FOR DRAINAGE TO 3-1/2" DIAMETER DIE STAMPED OPENING
- FULL LENGTH **10" HIGH BOXED BACKSPLASH**, WITH 2" RETURN TO WALL AT 45 DEGREE AND 1" TURNED DOWN REAR LIP
- 8" ON-CENTER WITH 1" FAUCET HOLES IN BACKSPLASH
- ALL OUTSIDE CORNERS OF ASSEMBLY ARE BULLNOSED TO PROVIDE SAFE, CLEAN, AND POLISHED EDGE
- STANDARD STAINLESS STEEL LEGS 1-5/8" DIAMETER
- LEGS LOCATED DIRECTLY UNDER SINK BOWLS, PROVIDING INCREASED STABILITY AND MAX WEIGHT SUPPORT

### CONSTRUCTION:

- TOP: STAINLESS STEEL SINKS ARE TIG WELDED, EXPOSED WELDS ARE POLISHED TO MATCH ADJACENT SURFACE
- BASE: STAINLESS STEEL BASES ARE MIG WELDED

### MATERIAL:

- BOWLS & TOP: 16GA TYPE 300 STAINLESS STEEL WITH #4 POLISH, SATIN FINISH
- LEGS: 1-5/8" ROUND O.D. STAINLESS STEEL
- BRACING: 1-1/4" ROUND O.D. STAINLESS STEEL
- GUSSETS: STAINLESS STEEL
- FEET: 1" ADJUSTABLE STAINLESS STEEL BULLET FEET



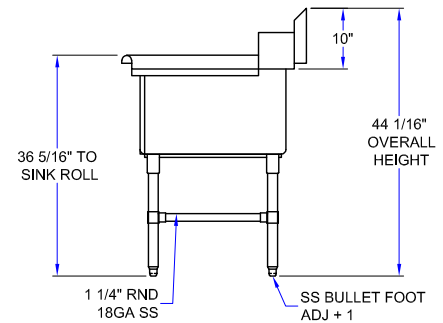
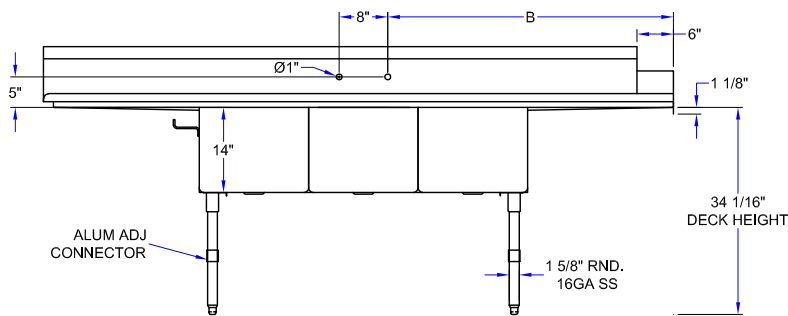
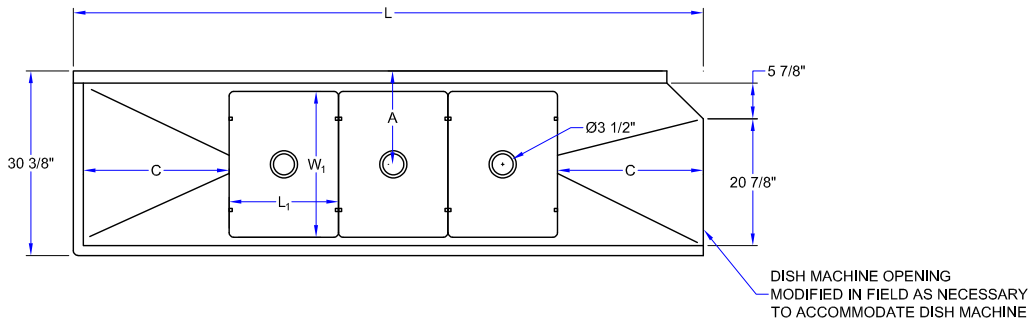
### **STANDARD 16GA "DT3PB" SINK**

| MODEL            | BOWL SIZE (LxWxD) | QTY |
|------------------|-------------------|-----|
| DT3PB18244-2D18L | 18" X 24" X 14"   |     |
| DT3PB18244-2D18R | 18" X 24" X 14"   |     |
| DT3PB18244-2D24L | 18" X 24" X 14"   |     |
| DT3PB18244-2D24R | 18" X 24" X 14"   |     |
| DT3PB244-2D24L   | 24" X 24" X 14"   |     |
| DT3PB244-2D24R   | 24" X 24" X 14"   |     |

### **OPTIONAL ACCESSORIES**

| DESCRIPTION     | QTY |
|-----------------|-----|
| FAUCETS         |     |
| ADD-A-FAUCETS   |     |
| PRE-RINSE UNITS |     |
| LEVEL WASTE     |     |
| OVERSHELVES     |     |
| POT RACK        |     |

# DETAILED SPECIFICATIONS



## STANDARD 16GA "DT3B" "B" SINK

| MODEL            | L        | L1  | W1  | A       | B   | C   |
|------------------|----------|-----|-----|---------|-----|-----|
| DT3PB18244-2D18L | 91-5/8"  | 18" | 24" | 15-3/8" | 41" | 18" |
| DT3PB18244-2D18R | 91-5/8"  | 18" | 24" | 15-3/8" | 41" | 18" |
| DT3PB18244-2D24L | 103-5/8" | 18" | 24" | 15-3/8" | 47" | 24" |
| DT3PB18244-2D24R | 103-5/8" | 18" | 24" | 15-3/8" | 47" | 24" |
| DT3PB244-2D24L   | 121-5/8" | 24" | 24" | 15-3/8" | 56" | 24" |
| DT3PB244-2D24R   | 121-5/8" | 24" | 24" | 15-3/8" | 56" | 24" |

SOME UNITS SHIP UNASSEMBLED FOR REDUCED SHIPPING COST. ALL DIMENSIONS ARE TYPICAL. TOLERANCE +/- .500"  
John Boos & Co. is constantly engaged in a program of improving products and therefore reserves the right to change specifications without prior notice.



3601 S. Banker St. • Effingham, IL 62401 • PO BOX 609 • quotes@johnboos.com

07262018



www.johnboos.com

339