



A family company manufacturing in the USA

[www.glastender.com](http://www.glastender.com)



CIWA-15



**Intertek**

4004503

Conforms to ANSI/NSF STD 2

### Specifications

**Drain**

- 1/2" welded tailpiece drain

**Materials**

- 20 gauge stainless steel

Project: _____	AIA# _____
Item #: _____ Qty: _____	SIS# _____
Model #: _____	

## Corner Inside Wedge Drainboards

**CIW**

CIWA-5, CIWA-10, CIWA-15, CIWA-30, CIWA-45, CIWA-60, CIWA-75, CIWB-5, CIWB-10, CIWB-15, CIWB-20, CIWB-25, CIWB-30, CIWB-45, CIWB-60, CIWB-75

### Standard Features

- All stainless steel
- Designed to mount between two adjacent pieces of Glastender underbar equipment (unless optional legs are used, see configurable options)
- Drain pan with separate perforated insert for better air circulation (5° and 10° models excluded)
- 1/4" radius work surface corners for easy cleaning

### Configurable Options

- Leg set for one side mounting (5° and 10° models excluded)

To view underbar installation instructions, please visit:

[https://www.glastender.com/PDF/F-750-165\\_Underbar\\_Installation\\_Instructions.pdf](https://www.glastender.com/PDF/F-750-165_Underbar_Installation_Instructions.pdf)

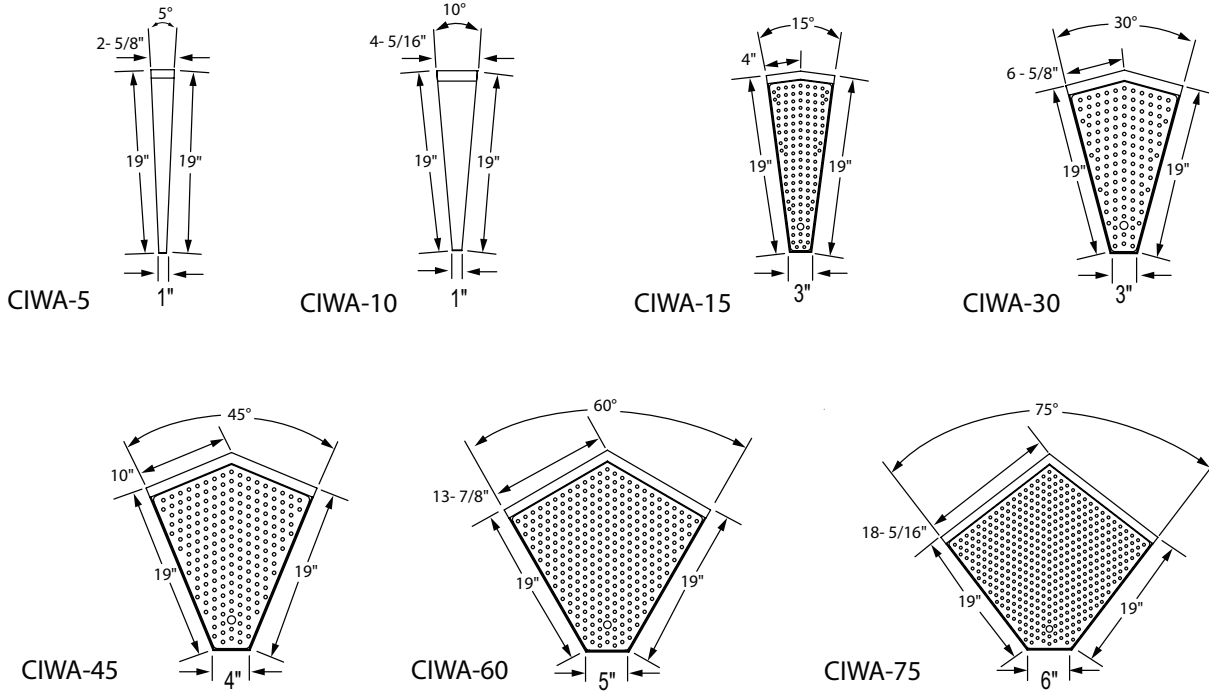
To view cleaning and care instructions, please visit: [https://www.glastender.com/PDF/F-423-011\\_ss\\_clean\\_care.pdf](https://www.glastender.com/PDF/F-423-011_ss_clean_care.pdf)

<p><b>Glastender, Inc.</b> • 5400 N Michigan Rd • Saginaw, MI • 48604-9780          989.752.4275 • 800.748.0423 • Fax 989.752.4444  <a href="http://www.glastender.com">www.glastender.com</a></p>	<p>Approval/Notes:</p>
<p>Specifications subject to change without notice. For current specifications please visit our website.</p>	

# Corner Inside Wedge Drainboards

## Dimensional Information

### "A" Depth-19" Deep: Plan Views



### "B" Depth-24" Deep: Plan Views

