

STORE: Webstaurant Pastry Case Options

LOCATION:

DWG. #

QUOTE. #



REVISION:	DATE	BY
A		
B		
C		
D		

CASEWORK:	DPP-27-35-M-807695
APPROVAL DATE:	
APPROVAL BY:	

DATE:	05.08.2023
SCALE:	N/A
DRAWN BY:	AA
SALES:	Kelly McCombs

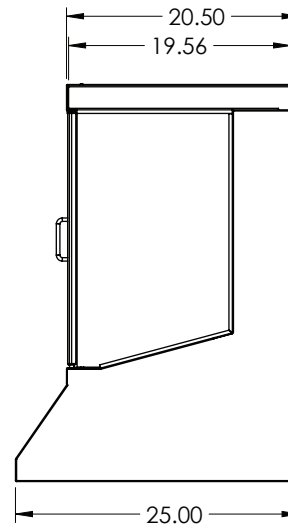
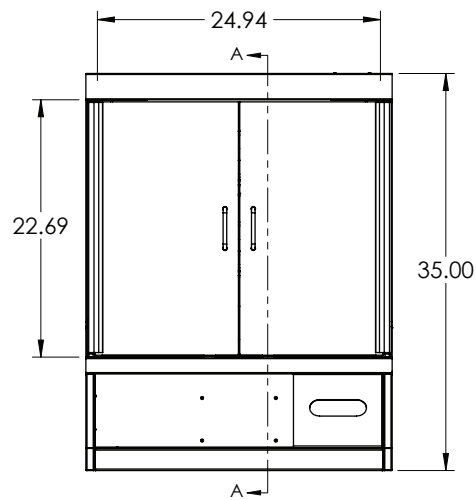
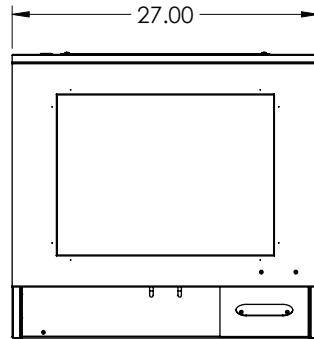
HUSSMANN®
DESIGN SERVICES GROUP
MCFARLAND, WI 53558

STORE: Webstaurant Pastry Case Options

LOCATION:

DWG. #

QUOTE. #



REVISION:	DATE	BY
A		
B		
C		
D		

CASEWORK:	DPP-27-35-M-807695
APPROVAL DATE:	
APPROVAL BY:	

DATE:	05.08.2023
SCALE:	N/A
DRAWN BY:	AA
SALES:	Kelly McCombs

HUSSMANN[®]
DESIGN SERVICES GROUP
MCFARLAND, WI 53558