

STORE: Webstaurant Pastry Case Options

LOCATION:

DWG. #

QUOTE. #



REVISION:	DATE	BY
A		
B		
C		
D		

CASEWORK:	DPPT-48-40M-31665
APPROVAL DATE:	
APPROVAL BY:	

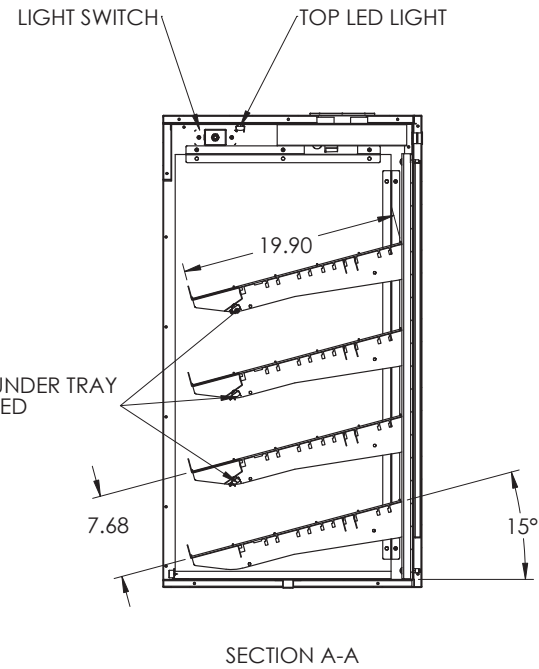
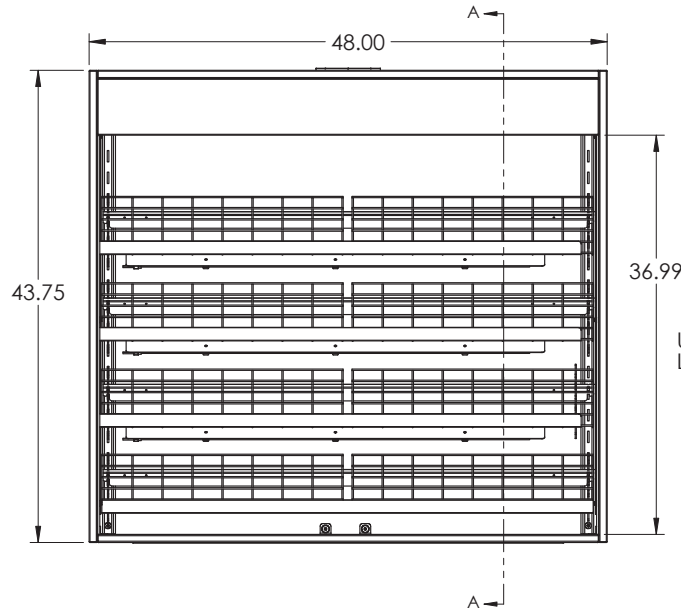
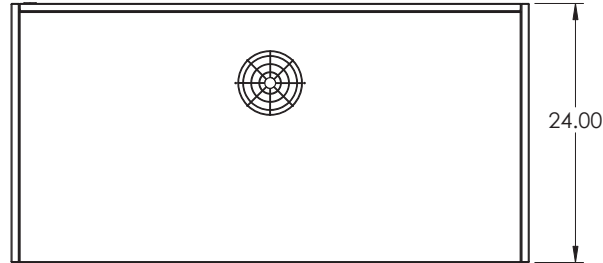
DATE:	05.08.2023
SCALE:	N/A
DRAWN BY:	AA
SALES:	Kelly McCombs

**HUSSMANN®**  
 DESIGN SERVICES GROUP  
 MCFARLAND, WI 53558

STORE: Webstaurant Pastry Case Options  
 LOCATION:

DWG. #

QUOTE. #



REVISION:	DATE	BY
A		
B		
C		
D		

CASEWORK:	DPPT-30-40-M-31808
APPROVAL DATE:	
APPROVAL BY:	

DATE:	05.08.2023
SCALE:	N/A
DRAWN BY:	AA
SALES:	Kelly McCombs

**HUSSMANN®**  
 DESIGN SERVICES GROUP  
 MCFARLAND, WI 53558