



Profit from the Eagle Advantage®

Specification Sheet

Item No.:	_____
Project No.:	_____
S.I.S. No.:	_____

SPEC AIR® Ventilation Hood Accessories

MODELS:

- | | | |
|---------------------------------|-------------------------------|-------------------------------|
| <input type="checkbox"/> 331677 | <input type="checkbox"/> E155 | <input type="checkbox"/> E164 |
| <input type="checkbox"/> 332493 | <input type="checkbox"/> E156 | <input type="checkbox"/> E165 |
| <input type="checkbox"/> 332494 | <input type="checkbox"/> E157 | <input type="checkbox"/> E166 |
| <input type="checkbox"/> 361269 | <input type="checkbox"/> E158 | <input type="checkbox"/> E167 |
| <input type="checkbox"/> E150 | <input type="checkbox"/> E159 | <input type="checkbox"/> E168 |
| <input type="checkbox"/> E151 | <input type="checkbox"/> E160 | <input type="checkbox"/> E169 |
| <input type="checkbox"/> E152 | <input type="checkbox"/> E161 | <input type="checkbox"/> E170 |
| <input type="checkbox"/> E153 | <input type="checkbox"/> E162 | <input type="checkbox"/> E174 |
| <input type="checkbox"/> E154 | <input type="checkbox"/> E163 | <input type="checkbox"/> E175 |



bullet light



grease filter



grease cups

SPEC AIR® ventilation hoods come standard with many accessories that most other manufacturers offer as options, with extra charge.

However, should you need additional accessories, please select from the charts on the back page. If you require an accessory not listed, please contact the factory for assistance.

To order vent hood accessories or options...

Include quantity and model number of each desired accessory or option with the model number of the ventilation hood ordered. Example: a "HEB96-48" hood (see spec sheet #EG55.00), when accompanied with "E161," indicates an exhaust-only hood with optional angle trim strip on the front.

EAGLE GROUP
100 Industrial Boulevard, Clayton, DE 19938-8903 USA
Phone: 302-653-3000 • Fax: 302-653-2065
www.eaglegrp.com

Foodservice Division: Phone 800-441-8440
MHC/Retail Display Divisions: Phone 800-637-5100

For custom configuration or fabrication needs, contact our **SpecFAB® Division**.
Phone: 302-653-3000 • Fax: 302-653-3091 • e-mail: specfab@eaglegrp.com



EG55.05 Rev. 12/08

Spec sheets available for viewing, printing or downloading from our online literature library at www.eaglegrp.com



Profit from the Eagle Advantage®

Item No.: _____
 Project No.: _____
 S.I.S. No.: _____

SPEC AIR® Vent Hood Accessories

(#1) Extra Bullet Lights

Vapor-proof.

model #
E170

(#2) 3" (76mm) Air Space on Sides

For vent hoods placed in corners, or near neighboring front walls.

model #	description
E150	on front side of unit
E151	on left side of unit
E152	on right side of unit

(#3) Insulated Back

Reduces condensation.

model #	description
E153	on front side of unit
E154	on back side of unit
E155	on left side of unit
E156	on right side of unit

(#4) Furring Channel

Stainless steel. Used primarily for display signs, menus, etc.

model #	description
E157	on front side of unit
E158	on back side of unit
E159	on left side of unit
E160	on right side of unit

(#5) Enclosure Panels

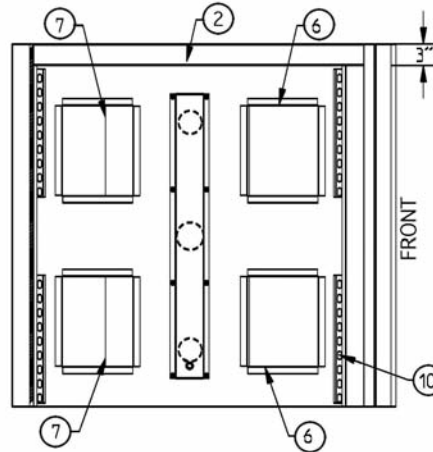
Up to 24" (610mm) height. Seals off ceiling and/or walls. Includes upper and lower tracks.

model #
E174

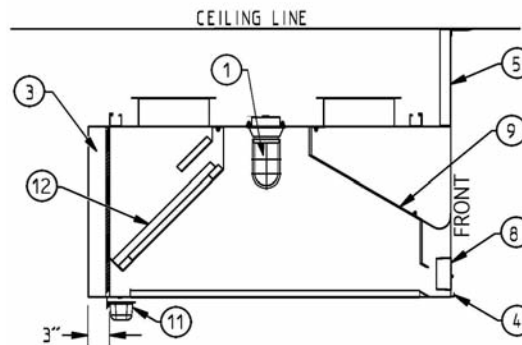
(#6) Additional Collars

Used with more efficient systems. Allows for more ducts per hood.

model #	description
E165	extra exhaust collar
E166	extra supply collar



TOP VIEW



SIDE VIEW

(#7) Additional Supply Fire Damper

Fusible link. Used mainly for internal vent hoods. (See catalog sheet #EG55.02)

model #
E167

(#8) Light Switch

Flush Mounted. 115 VAC. Field wiring required.

model #
E169

(#9) Insulated Make-up Air Plenum

Reduces condensation.

model #
E175

(#10) Extra Mounting Channel

1 1/8" (41mm) square. 12 gauge galvanized steel. Single strut. Slotted.

model #
361269

(#11) Extra Grease Cups

model #
331677

(#12) Extra Grease Filters

20" x 20" (508 x 508mm), baffle type.

model #	description
332493	aluminum
332494	stainless steel

Accessories not included in illustrations above:

Filter Frames

(Maryland, Virginia, Washington D.C. Code) Stainless steel.

model #
E168

Trim Strips

Stainless steel. Seals off ceiling and/or walls.

model #	description
E161	on front side of unit
E162	on back side of unit
E163	on left side of unit
E164	on right side of unit

EAGLE GROUP

100 Industrial Boulevard, Clayton, DE 19938-8903 USA

Phone: 302-653-3000 • Fax: 302-653-2065

www.eaglegrp.com

Foodservice Division: Phone 800-441-8440

MHC/Retail Display Divisions: Phone 800-637-5100

Printed in U.S.A.
 ©2008 by Eagle Group

Rev. 12/08

Spec sheets available for viewing, printing or downloading from our online literature library at www.eaglegrp.com

Although every attempt has been made to ensure the accuracy of the information provided, we cannot be held responsible for typographical or printing errors. Information and specifications are subject to change without notice. Please confirm at time of order.