

Project: _____

Item: _____

Quantity: _____

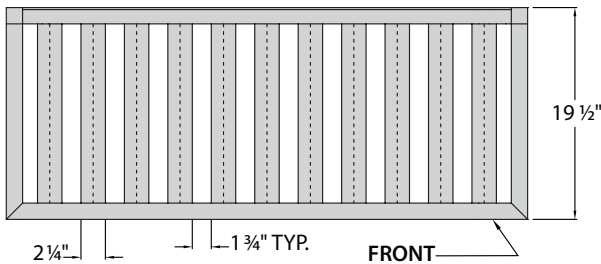
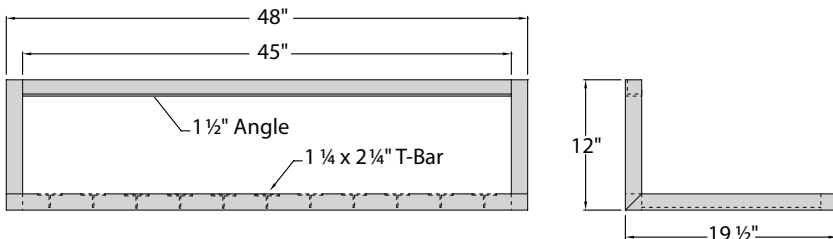
Wall Shelves -Inverted



97286

These shelves are ideal for maximizing storage and organization above sinks, stoves, tables, etc... Designed with solid strip brackets that allow for infinite installation capabilities.

- Framework is constructed of 1½" x 1½" x .070" wall tubing.
- Laterals are constructed out of 1¼" x 2¼" x .100" wall T-Bar.
- Lifetime Guarantee against rust and corrosion
- Five-Year Guarantee against workmanship and material defects.



97286

► Wall Shelves

Model No.	Size D-L	Weight Capacity	Ship Lbs.
Inverted Shelves - T-Bar			
97285	20" x 36"	500 lbs.	11
97286	20" x 48"	500 lbs.	14
97287	20" x 60"	500 lbs.	16

Wall Fastening Devices Are Not Provided.

 **Weight Capacity = Determined by installation method and type of wall**



New Age Industrial Corp., Inc. || NewAgeIndustrial.com || Made in the USA 

PO Box 520 • 16788 US Hwy 36 • Norton, Kansas 67654 || Phone: (800) 255-0104 • (785) 877-5121 || Fax: (877)-877-7687 • (785) 877-2616

This information is for general sales and engineering use only. New Age Industrial reserves the right to modify or make changes at any time, without notice, to materials and specifications.

Project: _____

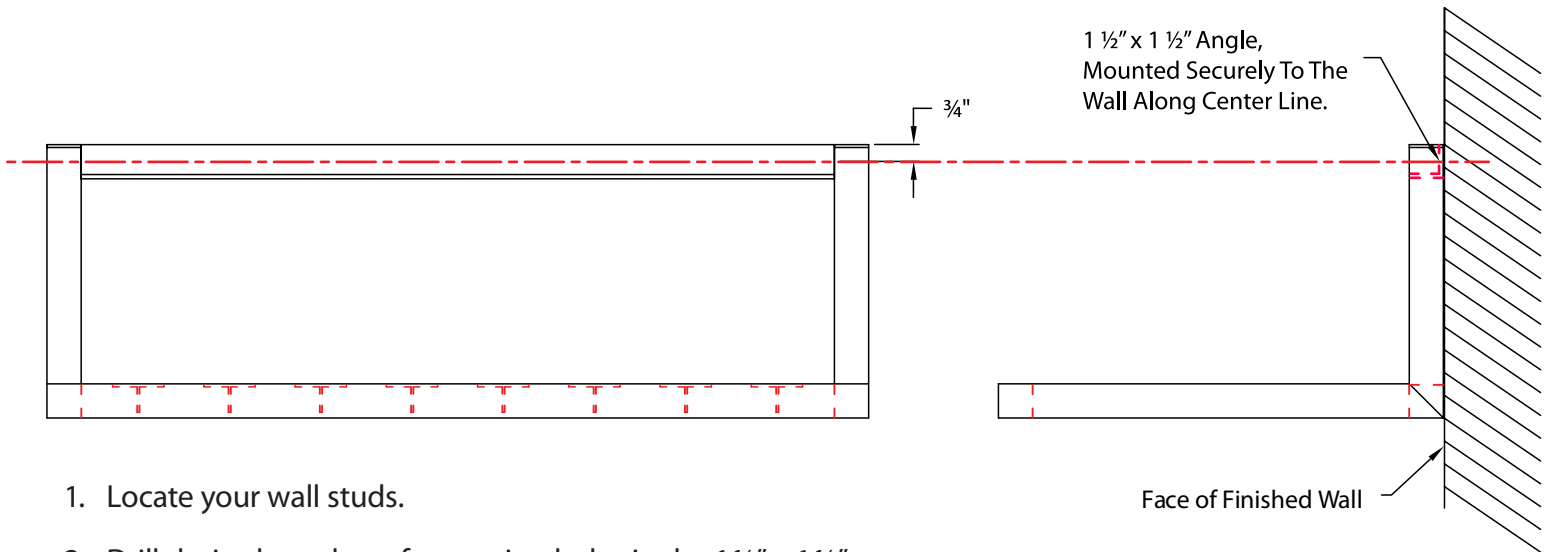
Item: _____

Quantity: _____

Wall Shelves

-Inverted

Installation Instructions:



1. Locate your wall studs.
2. Drill desired number of mounting holes in the 1 1/2" x 1 1/2" rear angle to align with wall studs.
3. Mount shelving to wall with fastening devices that are suitable for your wall surface and are large enough to support the desired load.

Wall Fastening Devices Are Not Provided

► Wall Shelves

Model No.	Size D-L	Weight Capacity	Ship Lbs.
Inverted Shelves - T-Bar			
97285	20" x 36"	500 lbs.	11
97286	20" x 48"	500 lbs.	14
97287	20" x 60"	500 lbs.	16

Wall Fastening Devices Are Not Provided.



Weight Capacity = Determined by installation method and type of wall

New Age Industrial Corp., Inc. || NewAgeIndustrial.com || Made in the USA

PO Box 520 • 16788 US Hwy 36 • Norton, Kansas 67654 || Phone: (800) 255-0104 • (785) 877-5121 || Fax: (877)-877-7687 • (785) 877-2616

This information is for general sales and engineering use only. New Age Industrial reserves the right to modify or make changes at any time, without notice, to materials and specifications.