



Item No. _____

Project _____

Quantity _____

LEGEND™ Heavy-Duty Gas Stock Pot Stoves

SP2035 or SP2053



Model SP2053

MODEL GUIDE			
✓	Model No.	Burners	BTU Input
	SP2035	1	35,000
	SP2053	1	53,000

AGENCY APPROVALS

- NSF Listed
- ETL Design Certified to ANSI Z83.11 • CSA 1.8

SHORT/BID SPECIFICATION

Stock Pot Range shall be a Montague **Legend** Heavy Duty Model:

- SP20__** [Specify: **35**(35,000) or **53**(53,000) BTU/hr]...gas-fired unit with one heavy-duty banjo-burner (35) or a two-ring burner (53) with manual control valve and standing pilot; heavy cast iron top grate with machined top surface; stainless steel front, sides and 6" (152mm) legs; plus all the features listed and options/accessories checked:

BURNERS & CONTROLS:

- **SP2035** — One 35,000 BTU/hr cast iron banjo-type burner
- **SP2053** — One 53,000 BTU/hr cast iron two-ring burner
- Individually raised burner ports to prevent clogging
- Dependable manual gas control valve [two for ring burner]
- Standing pilot for automatic ignition

STANDARD CONSTRUCTION FEATURES:

- Satin finish stainless steel front, sides and back
- Heavy-Duty one piece, cast iron top grate with surface-ground raised ribs
- Other surfaces painted black with electrolytic zinc undercoating
- 6-1/2" (165mm) high stainless steel legs with height-adjustable feet
- 1/2" NPT rear gas connection



HDS-55 [Rev. 2/17]

Item No. _____

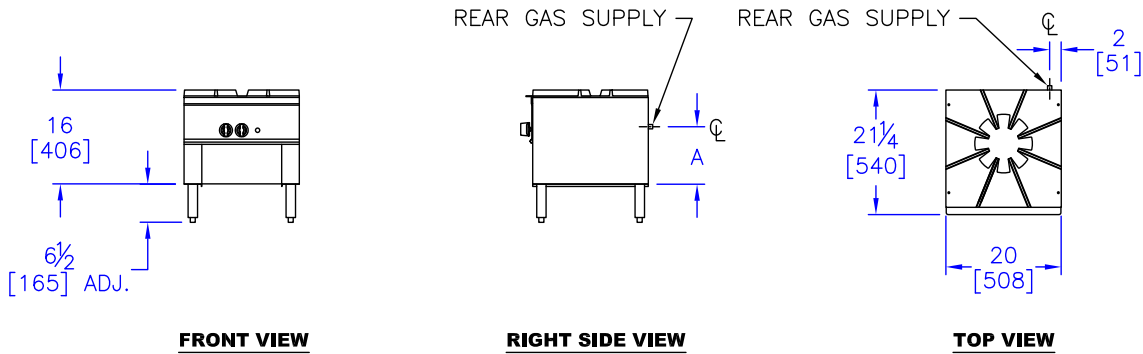
Project _____

Quantity _____

LEGEND™ Heavy -Duty Gas Stock Pot Stoves

SP2035 or SP2053

Dimensions in brackets are millimeters



OPTIONS GUIDE:

General:

Black with stainless steel valve panel

Note: Not available with casters

International Approvals:

Canadian Approval

INSTALLATION REQUIREMENTS & SHIPPING INFORMATION

1. Ranges must be installed in accordance with local codes or in their absence with the National Fuel Gas Code: ANSI Z223.1; CAN/CGA-B149.1 Natural Gas and Propane Installation Code as applicable. Compliance with codes is the responsibility of the Owner and Installer.
2. An adequate ventilation system is required. Refer to National Fire Protection Association No. 96, Standard for Ventilation Control and Fire Protection of Commercial Cooking Operations.
3. This appliance is intended for commercial use by professionally trained personnel. NOT intended for Residential Use.
4. Specify installation elevation: _____ if above 2000 feet (610m).
5. GAS INLET SIZE (All Models): 1/2" NPT right-rear gas inlet. 1/2" NPT gas pressure regulator is provided and must be installed (by others) when unit is connected to gas supply.
6. The incoming gas line pressure into the regulator should be 8"-14" w.c. for natural gas, and 12"-14" w.c. for propane gas.

Minimum Clearances	Combustible Construction	Noncombustible Construction
From Back Wall	6" (152mm)	0
Left & Right Side	6" (152mm)	0
With 6" (152mm) Legs		Suitable for installation on combustible floors

Models:	Burners	Specify Type of Gas:		Shipping Weight	Shipping Class	Cube (Crated) ft³/m³
		<input type="checkbox"/> Natural	<input type="checkbox"/> Propane			
		Manifold Pressure:	6.0" WC	10.0" WC		
			BTU/hr (kW)	BTU/hr (kW)		
SP2035	1		35,000 (10.3)	35,000 (10.3)	84 lbs (38 kg)	7/.2
SP2053	1		53,000 (15.5)	53,000 (15.5)	90 lbs (41 kg)	7/.2

Entry clearance 20" (610mm) uncrated



THE MONTAGUE COMPANY
 1830 Stearman Avenue, Hayward, CA 94545
 800 345-1830 • Fax: 510 785-3342
www.montaguecompany.com

Due to continuous product improvements, specifications are subject to change without notice.



HDS-55 [Rev.2/17]