



### ADVANTAGES

The natural refrigerant bunker case solution!

- Dual temperature cases can be utilized for either frozen or refrigerated food applications
- Environmentally-friendly R-290 natural refrigerant
- Self-contained 'Plug 'n Play' allows for quick setup and adaptation to floor plan changes



### KEY POINTS

- Available in 5', 6', 7' and 8' lengths
- 120V electrical requirement
- Sound level is less than 55 dB
- Available in a variety of exterior colors



# ARCH SERIES BUNKERS

Hussmann and the Arch Series Self-Contained Bunker merchandisers are helping our customers meet ever-changing regulations and store designs.

Arch Series Bunker merchandisers are part of the Hussmann microSC™ portfolio, which consists of self-contained merchandisers that utilize propane (R-290). Merchandisers are available for low- and medium-temperature applications. These propane-powered systems are easy to install and maintain and are future-proof in terms of meeting new energy and environmental regulations.

## SUSTAINABILITY

- R-290 has zero Ozone Depletion Potential (ODP) and a Global Warming Potential of just 3
- Energy efficient design

## MERCHANDISING FLEXIBILITY

- Self-contained and versatile – standalone, back-to-back, and island configurable designs
- Available in a variety of exterior colors: black, white, light gray, and dark gray

## DUAL TEMPERATURE

- Quick settings change allows for either frozen or refrigerated food products

## STORE CONDITIONS

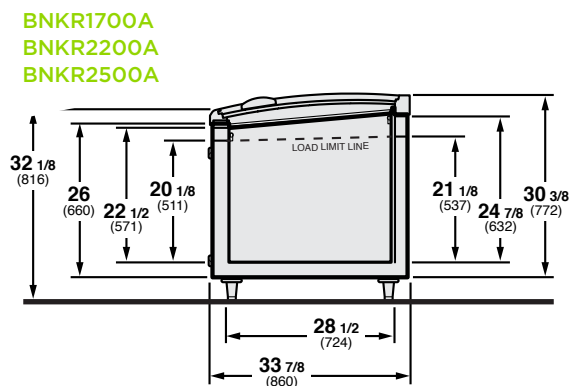
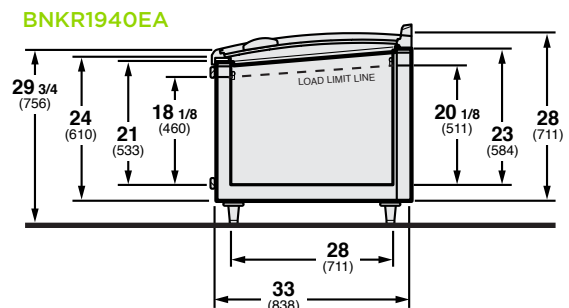
- NSF Type II Certified
- UL EPH Certification

## TECHNICAL INFORMATION



Scan the QR code with your mobile device to access technical data sheet on [hussmann.com](http://hussmann.com)

Available in 5', 6', 7', and 8' lengths.



Hussmann refrigerated merchandisers configured for sale for use in the United States meet or surpass the requirements of the DOE 2017 energy efficiency standards.

NOTE: These merchandisers are designed for use in stores when temperature and humidity do not exceed 75°F and 55% R.H. We reserve the right to change or revise specifications and product design in connection with any feature of our products. Such changes do not entitle the buyer to corresponding changes, improvements, additions, or replacements for equipment previously sold or shipped. For additional resources, contact your representative or visit [www.hussmann.com](http://www.hussmann.com).



**Hussmann Corporation**  
12999 St. Charles Rock Rd.  
Bridgeton, MO 63044-2483  
Ph: 800.592.2060

[www.hussmann.com](http://www.hussmann.com)