

"CUCT-ED" CUCINA AMERICANA COLLECTION *Cucina Technica Cart - 2 1/4" Thick Edge Grain Top*

FEATURES:

- Northern Hard Rock Maple
- Edge Grain Construction
- Food Service Grade Stainless Steel Base & Shelf
- Includes Stainless Steel Towel Bar
- Commercial Grade 3" Locking Casters
- Boos Block Cream With Beeswax Finish
- Shipped Knocked Down

CERTIFICATIONS:



NHLA



CUCT34-D



INCLUDED TOWEL BAR



PERFORATED LOWER SHELF



CUCT34

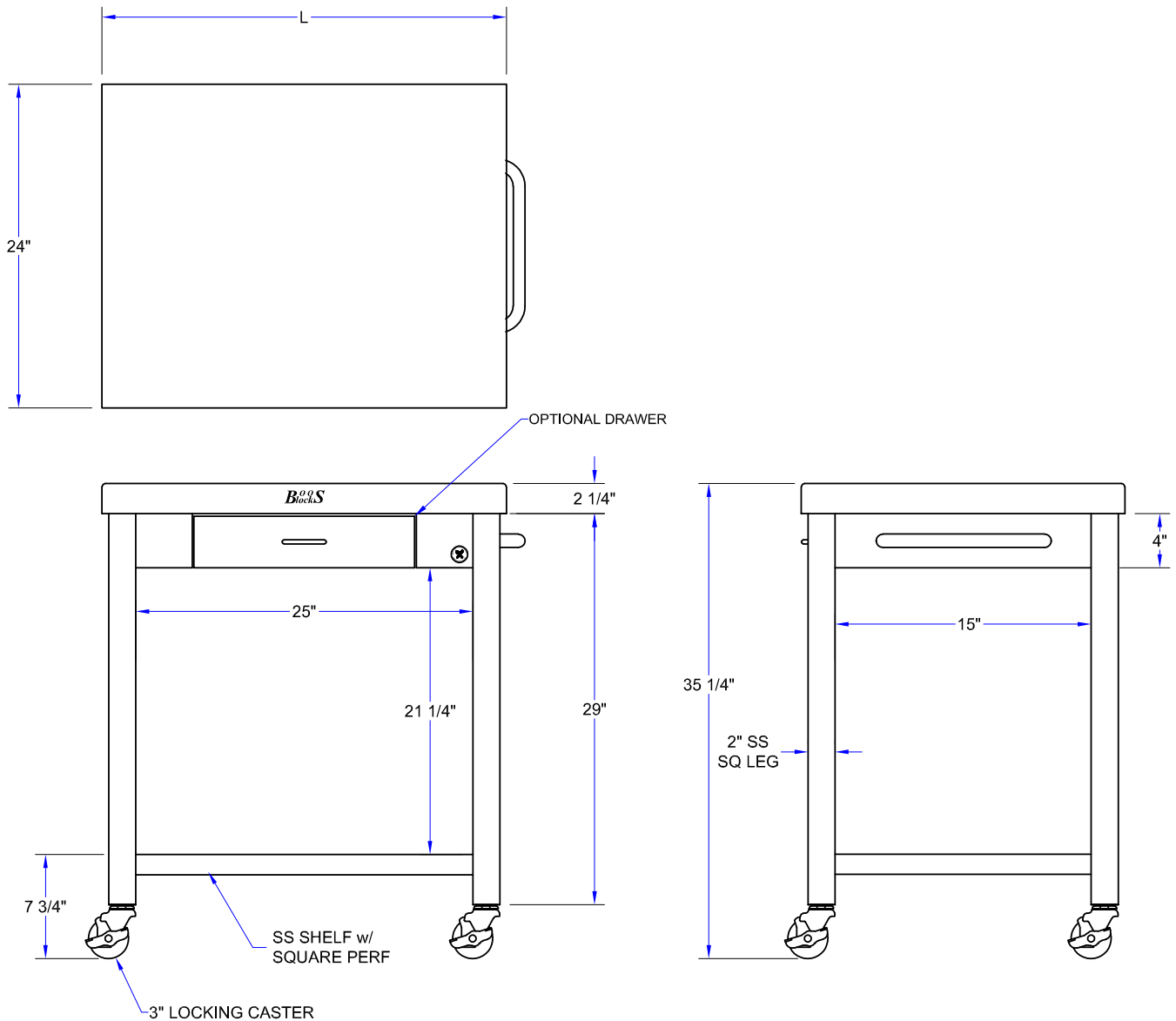
"CUCT-ED" CUCINA TECHNICA CARTS

| MODEL | TOP SIZE (L X W X H) | OVERALL HEIGHT | WT. (LBS) |
|----------|----------------------|----------------|-----------|
| CUCT04 | 24"x24"x2-1/4" | 35" | 77 |
| CUCT34 * | 30"x24"x2-1/4" | 35" | 100 |

*NOTE: For Optional Drawer, Add Suffix "-D"

ALL DIMENSIONS ARE TYPICAL. TOLERANCE +/- .500". JOHN BOOS & CO. RESERVES THE RIGHT TO CHANGE SPECIFICATIONS WITHOUT NOTICE.

DETAILED SPECIFICATIONS



"CUCT-ED" CUCINA TECHNICA CARTS

| MODEL | TOP SIZE (L X W X H) | OVERALL HEIGHT | WT. (LBS) |
|-----------------|----------------------|----------------|-----------|
| CUCT04 | 24"x24"x2-1/4" | 35" | 77 |
| CUCT34 * | 30"x24"x2-1/4" | 35" | 100 |

***NOTE: For Optional Drawer, Add Suffix "-D"**

ALL DIMENSIONS ARE TYPICAL. TOLERANCE +/- .500". JOHN BOOS & CO. RESERVES THE RIGHT TO CHANGE SPECIFICATIONS WITHOUT NOTICE.