

# Dutchess

Bakers' Machinery Company, Inc.

A subsidiary of Superior-Lidgerwood-Mundy Corp

Item No.

---

**Model DUT/S-80**

**70 Liter Floor Model Spiral Mixer**



## Standard Features:

- ◆ 70 Liter Stainless Steel Mixing Bowl
- ◆ 55 lbs. of flour
- ◆ 88 lbs. of dough
- ◆ Bowl dimensions 21" x 14"
- ◆ 2 speeds Spiral and Bowl drive
- ◆ 2 timers to program the working cycle
- ◆ Stainless Steel Security Guard & Spiral Hook
- ◆ Bowl motor: 3.5 HP
- ◆ Electricity: 208/230V / 3 phase
- ◆ NET Weight 827 lbs.
- ◆ Dimensions 39" x 23" x 42.5"
- ◆ Industry Leading, 3-Year Limited Parts Warranty
- ◆ 1-Year Full Parts and Labor Warranty
- ◆ Heavy-duty construction & powerful 2-motor system
- ◆ Mounted on casters for extra mobility



**Dutchess Bakers' Machinery Company**

302 Grand Avenue, PO Box 39

Toll Free: 800-777-4498

Phone: 715-394-4444

E-mail: [sales@dutchessbakers.com](mailto:sales@dutchessbakers.com)

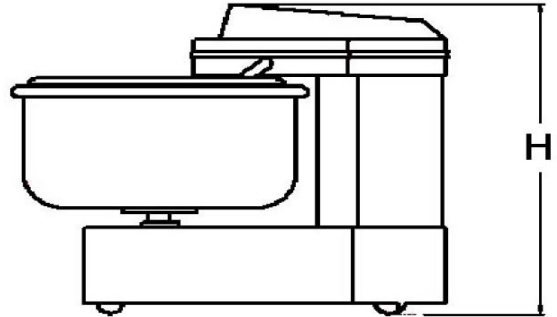
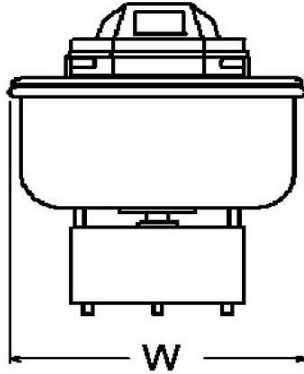
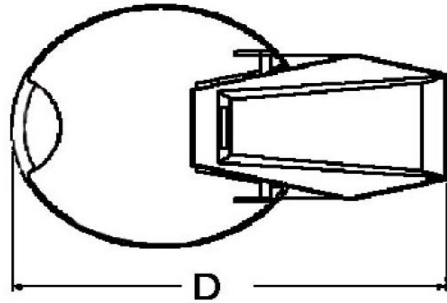
Web: [www.dutchessbakers.com](http://www.dutchessbakers.com)

# Model DUT/S-80 Floor Model Spiral Mixer

**D = 42.5"**

**W = 23"**

**H = 39"**



## **Electrical:**

3.5 hp Heavy Duty Motor 208-230v / 60hz / 3-phase,

Overload Relay to Protect Motor - Auto Shut-Off when Bowl Guard Opened.

Emergency Stop Button for Safe Operation

## **Dimensions:**

23" Wide x 39" High x 42.5" Depth

## **Weight:**

827 lbs. Net Weight, 950 lbs Shipping Weight.

## **Features:**

- ◆ 70 Liter Stainless Steel Mixing Bowl - Bowl dimensions 21" x 14"
- ◆ Reversible Mixing Action
- ◆ 2 speeds Spiral and Bowl drive
- ◆ 2 timers to program the working cycle
- ◆ Stainless Steel Security Guard & Spiral Hook
- ◆ Bowl motor: 3.5 HP
- ◆ Heat Treated Enamel Coating Resistant to Rust, Dents & Scratches.

## **Warranty:**

- ◆ 3-Year Limited Parts
- ◆ 1-Year Standard Parts and Labor

DUTCHESS BAKERS' MACHINERY COMPANY, INC. 302 GRAND AVENUE, SUPERIOR, WI 54880-0039

TOLL FREE: 800-777-4498 - PH: 715-394-4444 - FAX: 715-394-2406