



# RANGER® COUNT 4000

Counting Scales



## *Top-of-the-Line Counting Scales for Even the Toughest Industrial Weighing Conditions*

Ranger Count 4000 is the ideal tool for tough industrial counting jobs that require durability and accuracy at a great value. Portable with die-cast metal housing and a rechargeable battery, this scale is equipped with weighing, parts counting, check counting, and accumulation functions, and can produce results for a variety of industrial weighing, counting, and measurement needs.

### *Standard Features:*

- Sturdy metal housing and slip-resistant rubber feet provide the protection, stability and long product life needed for tough industrial weighing.
- Accurate weighing and counting performance is assured with 1:1,500,000 internal counting resolution and auto-optimization software that reduces errors.
- Easy-to-operate with SmarText™ software, a centrally located count display and dedicated Sample and Tare keys.

# RANGER® COUNT 4000 *Counting Scales*

## Metal Housing Ensures Protection

With die-cast sealed metal housing and slip-resistant rubber feet, Ranger Count 4000 was built to maximize product life and withstand heavy duty use and ensure accurate operation in industrial environments.

## Precise Counting and Weighing Performance

The high resolution Ranger Count 4000 has a 1:30,000 display resolution and 1:1,500,000 internal counting resolution. It also features advanced auto-optimization software which recalculates the average piece weight as the overall weight increases, ensuring accuracy and minimizing counting errors.

Ranger Count 4000 also offers a 30 item library data storage function that can store 12-digit part numbers, average piece weights, checkcounting or checkweighing parameters, tare weights and accumulated counts or weights for quick and simple retrieval of frequently used data.

## Intuitive Software Supports Simple Navigation

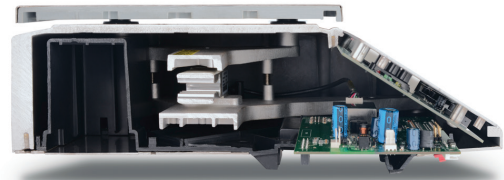
The inviting display and navigation make Ranger Count 4000 extremely simple to use. The three-window backlit LCD display includes a centrally-located count display as well as weight and piece weight displays. Eight function keys, including dedicated Sample and Tare keys, and full numeric keypad make setup and input operations simple and straightforward.

## More Connectivity Options

Ranger Count 4000 can be integrated into systems and connected to multiple peripheral devices through its standard RS232 with optional Ethernet, second RS232, or USB. Ranger Count 4000 can also support two-scale counting through the optional 2<sup>nd</sup> platform to support weighing jobs that require a higher capacity platform or additional platform space. Whether your data transfer requirements are simple or complex, Ranger Count 4000 offers the necessary functionality to meet your needs.

## Application Modes

- **Weighing**—Determine the weight of items in the selected unit of measure.
- **Parts Counting**—Count samples of uniform weight.
- **Check Weighing/Counting**—Compare the weight/count of a sample against target limits.
- **Accumulation**—Totalization of weight and count. Calculates total accumulated weight and count of separate items



## Rapid Stabilization

Ranger Count 4000 produces accurate results within one second. The rapid stabilization virtually eliminates your wait time and allows you to move at a pace determined by you and not your weighing equipment. Work efficiently and with confidence to ensure accurate results. Maximize your throughput without sacrificing accuracy with the Ranger Count 4000.

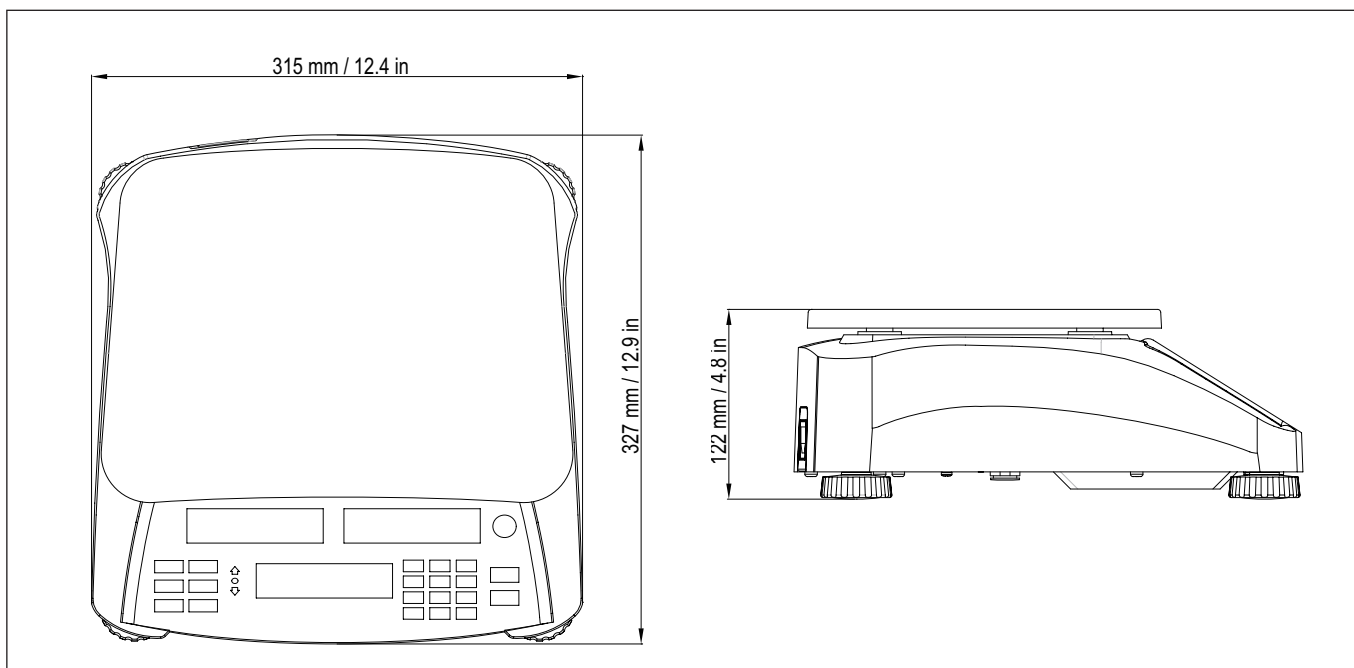
## Internal Power Supply and Rechargeable Battery

Say goodbye to being restricted to working only near power outlets! Ranger Count 4000 is equipped with a rechargeable lead acid battery that can provide power for more than 210 hours! It can also be powered through the easy connect power cord that takes up minimal space and automatically adapts to different power line voltages and frequencies, eliminating disruptions in workflow due to power outages and shortages.

## Metrology

The Ranger Count 4000 meets the Class III requirements of OIML R76, NIST Handbook 44 and Canada Weights and Measures Regulations.

## Outline Dimensions



# RANGER® COUNT 4000 *Counting Scales*

Models:	RC41M3	RC41M6	RC41M15	RC41M30
Capacity × Readability	3 × 0.0001 kg 3,000 × 0.1 g 6 × 0.0002 lb 96 × 0.005 oz	6 × 0.0002 kg 6,000 × 0.2 g 15 × 0.0005 lb 240 × 0.01 oz	15 × 0.0005 kg 15,000 × 0.5 g 30 × 0.001 lb 480 × 0.02 oz	30 × 0.001 kg 30,000 × 1 g 60 × 0.002 lb 960 × 0.05 oz
Certified Capacity × Readability	3 × 0.001 kg 3,000 × 1 g 6 × 0.002 lb 96 × 0.05 oz	6 × 0.002 kg 6,000 × 2 g 15 × 0.005 lb 240 × 0.1 oz	15 × 0.005 kg 15,000 × 5g 30 × 0.01 lb 480 × 0.2 oz	30 × 0.01 kg 30,000 × 10 g 60 × 0.02 lb 960 × 0.5 oz
Min. Recommended Sample Weight	2 g / 0.004 lb	4 g / 0.01 lb	10 g / 0.02 lb	20 g / 0.04 lb
Min. Recommended APW	0.01 g / 0.00002 lb	0.02 g / 0.00005 lb	0.05 g / 0.0001 lb	0.1 g / 0.0002 lb
Max. Internal Counting Resolution	1:1,500,000			
Maximum Displayed Resolution	1:30,000			
Certified/Approval Resolution	1:3,000			
Construction	Stainless steel platform, Die cast aluminum housing			
Weighing Units	kg, g, lb, oz, lb:oz			
Application Modes	Weighing, Parts Counting, Checkweighing, Checkcounting, Accumulation			
Display	3-Window LCD display with white backlight, 0.8 in/20.5mm high digits			
Checkweighing Indicators	3 LED (yellow, green, red) with configurable operation and alert beeper			
Memory	30 item library			
Keyboard	8 function, 12 numeric mechanical keys			
Zero Range	4 % or 20 % of full scale capacity			
Tare Range	Full capacity by subtraction			
Stabilization Time	1 second			
Auto-Zero Tracking	Off, 0.5, 1 or 3 divisions			
Safe Overload Capacity	150 % of capacity			
Power	100 - 240 VAC / 50 - 60 Hz internal universal power supply, internal rechargeable lead acid battery			
Battery Life	210 hours continuous use with 12 hour recharge time			
Calibration	External, with user-selectable calibration weight			
Interface	Built-in RS232, optional 2 <sup>nd</sup> platform, 2 <sup>nd</sup> RS232, USB, Ethernet			
Operating Temperature Range	14 °F to 104 °F / - 10 °C to 40 °C			
Platform Size (W × L)	11.8 × 8.9 in / 300 mm × 225 mm			
Scale Dimensions (W × L × H)	12.4 × 12.9 × 4.8 in / 315 × 327 × 122 mm			
Shipping Dimensions (W × L × H)	15.6 × 17.6 × 7.7 in / 397 × 447 × 195 mm			
Net Weight	13 lb / 5.9 kg			
Shipping Weight	15.9 lb / 7.2 kg			

## Other Standard Features and Equipment

Stainless steel platform, sealed front panel, menu lockswitch, up front level indicator, adjustable leveling feet, selectable environmental and auto-print settings, stability indicator, overload and underload indicators, low battery indicator, auto shut-off, auto tare

## Compliance

- **Metrology:** OIML R76 (R76/2006-NL1-15.21); NTEP (CC 13-022); Measurement Canada (AM-5907C)
- **Product Safety:** IEC/EN 60950-1; CAN/CSA C22.2 60950-1; UL 60950-1
- **Electromagnetic Compatibility:** IEC/EN 61326-1 Class B, Basic environments; FCC Part 15 Class B; Industry Canada ICES-003 Class B
- **Other:** WEEE/ROHS

## Accessories

2 <sup>nd</sup> Platform Kit .....	30037446
Ethernet Kit.....	30037447
Second RS232 Kit .....	30037448
USB Kit .....	30037449
In Use Cover .....	30240697

**OHAUS CORPORATION**  
7 Campus Drive  
Suite 310  
Parsippany, NJ 07054 USA

Tel: 800.672.7722  
973.377.9000  
Fax: 973.944.7177

[www.ohaus.com](http://www.ohaus.com)

*The management system governing the manufacture of this product is ISO 9001:2015 certified.*

