

Fusion

GP Combination Prep Case Remote

Structural Concepts®

DELIVERING FRESH. ALWAYS.™

- **GP441RR** 51"L x 52-1/4"D x 55-1/2"H
- **GP641RR** 75-3/8"L x 52-1/4"D x 55-1/2"H

Included

- Remote DX refrigeration
- LED top & shelf lights
- One year parts & labor warranty
- Refrigerated rear storage
- Sanalite® cutting board
- Stainless steel rear exterior
- Warmest average product temperature of 40°F or less



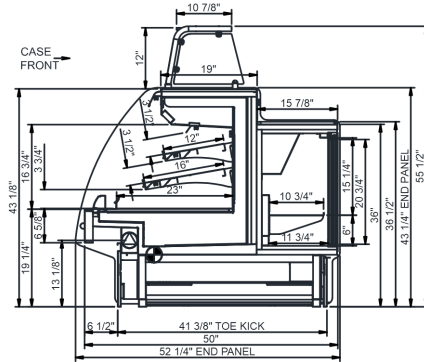
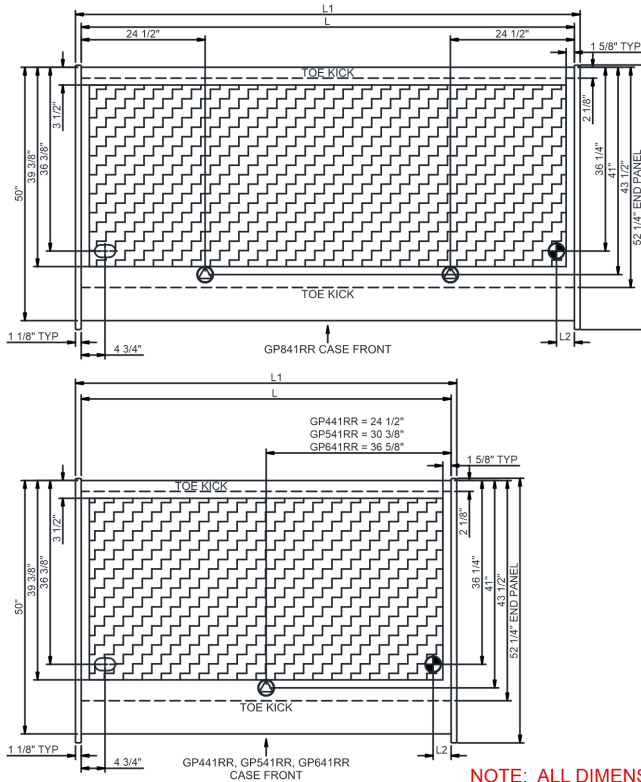
GP441RR

Specify	Standard Features	Additional Options
EXTERIOR COLOR	• Laminate (stock colors)	• Laminate (non-stock colors) • Powder coated (stock/non-stock colors) • Powder coated Silversan Black • Stainless steel
INTERIOR COLOR	• Powder coated Silversan Black	• Stainless steel
LOWER FRONT PANEL COLOR	• Powder coated Silversan Black	• Powder coated (stock/non-stock colors) • Stainless steel
BASE SUPPORT	• Rail system for shims (remote)	
BUMPER FRONT	• 1" Boston bumper (specify color)	• 1" Stainless steel plate rail bumper
END PANEL PROFILE	• Curved	• Flat angled
END PANELS	• Full w/stainless steel mirror interior	• None (specify per line-up)
CONDIMENT PANS	• None	• 1/6 size stainless steel pans w/ lids
PRICE TAG MOLDING	• None	• 1" Price tag molding (black or silver) • Universal price tag molding (clear w/ open top)
SHELVING	• 16" Solid shelf	• 12" & 16" Solid shelving
SNEEZE GUARD	• Clear glass w/ stainless steel ADM posts	• Frameless clear glass
LIGHTS	• LED 3500K w/ frosted lens	• LED 4000K w/ frosted lens
NOSE LIGHTS	• None	• LED nose light
ELECTRICAL CONNECTION	• Electrical leads (remote)	
REFRIGERATION	• Remote DX refrigeration	• Remote w/thermostat, solenoid & TXV
SENSOR	• None	• CPC discharge air sensor (remote)
ACCESSORIES		• Drain strainer • Night curtain, retractable, non-locking • Removable wire security cover, locking

Intended Environment: Type I - Designed to operate in ambient conditions of 75°F with 55% relative humidity unless noted otherwise in system information below.		
Zone	Intended Product To Be Displayed	Warmest Avg Prod Temp ° F
1	Packaged / unpackaged refrigerated products	40

PLAN VIEW

SIDE VIEW



NOTE: ALL DIMENSIONS APPROXIMATE

- ELECTRICAL JUNCTION BOX (SUPPLIED WITH 6" LEADS OR POWER CORD).
- REFRIGERATION LINE CONNECTION.
- SELF-CONTAINED CASE SERVICE ACCESS AREA.
- LOCATION OF DRAIN TUBE FOR REMOTE REF. ONLY (SUPPLIED WITH 3/4" OR 1 1/2" PVC TUBE).
- REMOTE FLOOR SINK & UTILITIES ACCESS AREA.
- DRY CASE SERVICE ACCESS AREA.

Model Technical Specifications																
Model	L"	L1"	L2"	System Circuit Volts		Phs	Freq	Amps ***	Watts	Wires	NEMA Plug	SST	Conv. Rack BTUH	Para. Rack BTUH	Est Wt	
GP441RR	48.75	51.00	3.50	Remote (DX)	Circuit #1	110-120	1	60	3.45	288	2+G	Leads Multiple	20.00	4450	4120	1,200
				Remote (GLYCOL 35%)	Circuit #1	110-120	1	60	3.45	288	2+G	Leads Multiple	20.00	4450	4120	
GP641RR	73.13	75.38	3.50	Remote (DX)	Circuit #1	110-120	1	60	6.37	557	2+G	Leads Multiple	20.00	5486	5080	1,600
				Remote (GLYCOL 35%)	Circuit #1	110-120	1	60	5.57	552	2+G	Leads Multiple	20.00	5486	5080	

*** Does not include electric defrost on freezer models.

Regulatory Approvals:

All Models
 Accordance with AHRI Std 1200
 ETL Listed to UL 471
 ETL Listed to CAN/CSA 22.2 No. 120
 ETL Sanitation to NSF/ANSI 7



In Accordance with
AHRI Std 1200

DOE 2017
 Energy Efficiency
 Compliant

Important Notes:

- 1) ELECTRICAL NOTE: If GFCI is required, a GFCI breaker MUST be used in lieu of a GFCI receptacle
- 2) 55" minimum door entry clearance required (without shipping skid).
- 3) Units must be shimmed during installation to ensure the unit is level and plumb.

⚠ WARNING: This product can expose you to chemicals, including Urethane (Ethyl Carbamate), which are known to the State of California to cause cancer and birth defects or other reproductive harm. For more information go to www.P65Warnings.ca.gov.