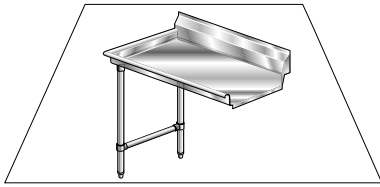


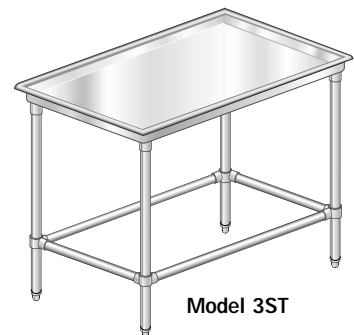
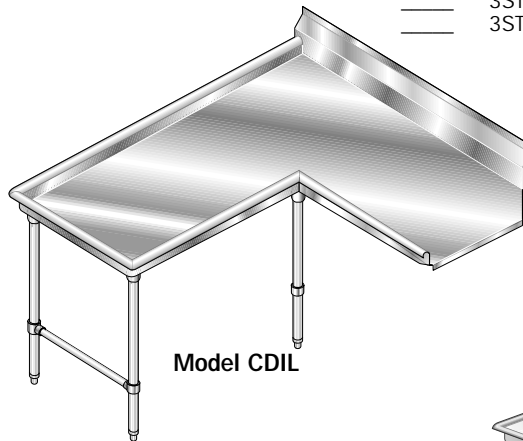
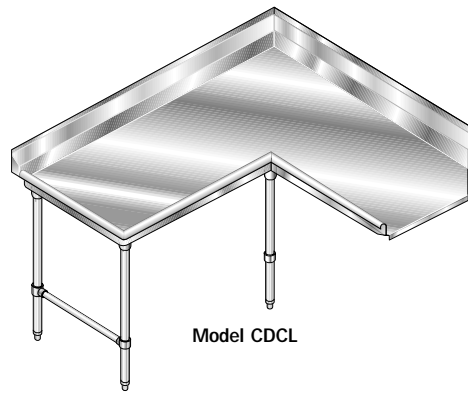
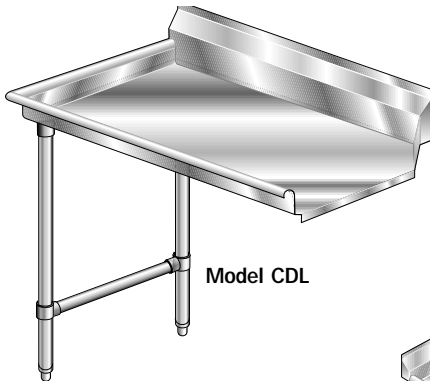


# CLEAN, LEFT HAND DISHTABLES

CDL/CDCL/CDIL/ST SERIES



Item# \_\_\_\_\_ Project \_\_\_\_\_



## CLEAN, STRAIGHT DISHTABLES

Quantity	DELUX Model #	AEROSPEC Model #
_____	3CD-L-24	2CD-L-24
_____	3CD-L-30	2CD-L-30
_____	3CD-L-36	2CD-L-36
_____	3CD-L-48	2CD-L-48
_____	3CD-L-60	2CD-L-60
_____	3CD-L-72	2CD-L-72
_____	3CD-L-84	2CD-L-84
_____	3CD-L-96	2CD-L-96
_____	3CD-L-120	2CD-L-120
_____	3CD-L-144	2CD-L-144

## CLEAN, CORNER DISHTABLES

_____	3CDC-L-48	2CDC-L-48
_____	3CDC-L-60	2CDC-L-60
_____	3CDC-L-72	2CDC-L-72
_____	3CDC-L-84	2CDC-L-84
_____	3CDC-L-96	2CDC-L-96
_____	3CDC-L-120	2CDC-L-120
_____	3CDC-L-144	2CDC-L-144

## CLEAN, ISLAND DISHTABLES

_____	3CDI-L-48	2CDI-L-48
_____	3CDI-L-60	2CDI-L-60
_____	3CDI-L-72	2CDI-L-72
_____	3CDI-L-84	2CDI-L-84
_____	3CDI-L-96	2CDI-L-96
_____	3CDI-L-120	2CDI-L-120
_____	3CDI-L-144	2CDI-L-144

## SORTING TABLE, NO SPLASH

_____	3ST-48
_____	3ST-60
_____	3ST-72
_____	3ST-84

### MATERIAL DISHTABLE

- 3CD - 16 gauge 304 stainless steel.
- 2CD - 14 gauge 304 stainless steel.

### LEGS

- 1 1/4" O.D. 16 gauge 304 series stainless steel tubing, complete with 1" adjustable, impact resistant, white metal feet.

### CROSSBRACING

- 1 1/4" O.D. 16 gauge 304 series stainless steel crossbracing, 1 1/8" I.D. aluminum castings at all leg intersections

### DESIGN FEATURES

- All dishtables have a 3/4" radius at all intersecting planes (consultant's spec).
- All dishtables fully cartoned.

### EXCLUSIVE AERO SAFETY EDGE

- Table hemmed to eliminate cuts from rough edges.

### CONSTRUCTION

- Plated gusset is machine welded 360 deg. to a stainless steel triangular plate.
- Gusset plate is fully welded directly underneath the sink for support.
- Polished to a #4 blended finish.

### SORTING TABLE includes:

- 16 gauge 304 stainless steel top.
- 3" high rolled rim 4 sides.
- Stainless steel crossbraced legs 4 sides.

### OPTIONS

- T-129 set of 4" HD Casters.
- D-1 3 1/2" drainhole.

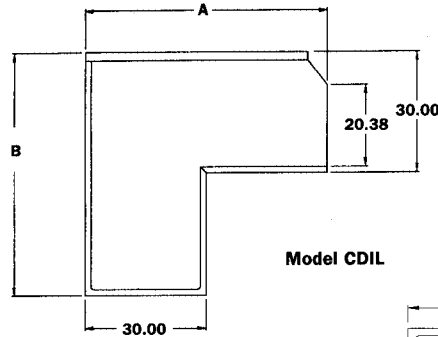
**CUSTOM SIZES AVAILABLE • BUILT TO LAST A LIFETIME**

email - sales@aeromfg.com

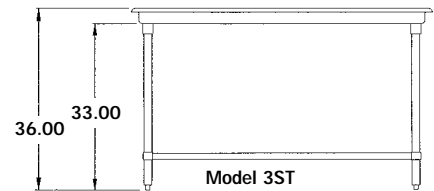
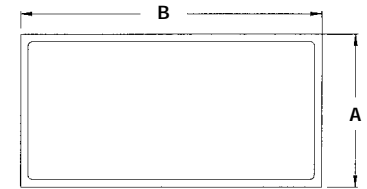
AERO MANUFACTURING COMPANY • 310 ALLWOOD ROAD, CLIFTON, NEW JERSEY 07012 • VOICE 973.473.5300 FAX 973.473.3794

# DIMENSIONAL SPECIFICATIONS

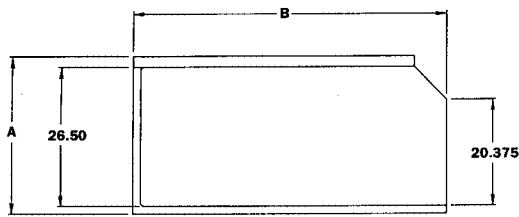
CDL/CDCL/CDIL/ST SERIES



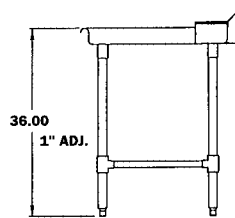
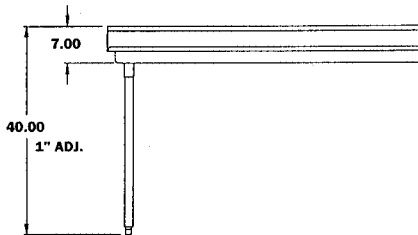
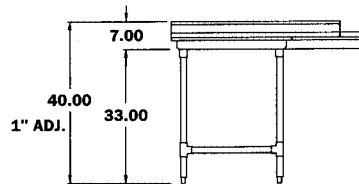
Model CDIL



Model 3ST



Model CDL



A	B	DELUX	AEROSPEC	Ship	Cubic
Width	Length	16GA 304	14GA 304	Weight	Feet
		Model #	Model #		

## CLEAN, STRAIGHT DISHTABLES

30	24	3CD-L-24	2CD-L-24	40	8
30	30	3CD-L-30	2CD-L-30	46	10
30	36	3CD-L-36	2CD-L-36	51	12
30	48	3CD-L-48	2CD-L-48	61	15
30	60	3CD-L-60	2CD-L-60	71	19
30	72	3CD-L-72	2CD-L-72	85	22
30	84	3CD-L-84	2CD-L-84	100	26
30	96	3CD-L-96	2CD-L-96	105	28
30	120	3CD-L-120	2CD-L-120	115	31
30	144	3CD-L-144	2CD-L-144	125	35

## CLEAN, CORNER DISHTABLES

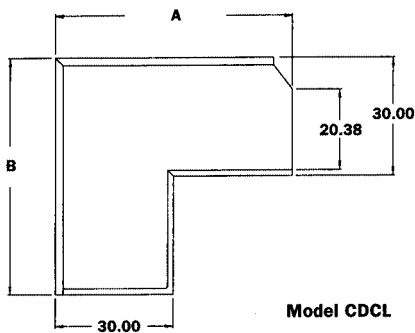
60	48	3CDC-L-48	2CDC-L-48	120	30
60	60	3CDC-L-60	2CDC-L-60	130	37
60	72	3CDC-L-72	2CDC-L-72	140	44
60	84	3CDC-L-84	2CDC-L-84	150	51
60	96	3CDC-L-96	2CDC-L-96	160	58
60	120	3CDC-L-120	2CDC-L-120	170	65
60	144	3CDC-L-144	2CDC-L-144	180	72

## CLEAN, ISLAND DISHTABLES

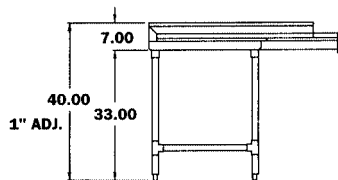
60	48	3CDI-L-48	2CDI-L-48	120	30
60	60	3CDI-L-60	2CDI-L-60	130	37
60	72	3CDI-L-72	2CDI-L-72	140	44
60	84	3CDI-L-84	2CDI-L-84	150	51
60	96	3CDI-L-96	2CDI-L-96	160	58
60	120	3CDI-L-120	2CDI-L-120	170	65
60	144	3CDI-L-144	2CDI-L-144	180	72

## SORTING TABLE, NO SPLASH

30	51	3ST-48		63	12
30	63	3ST-60		77	15
30	75	3ST-72		83	18
30	87	3ST-84		90	21



Model CDCL



All dimensions are typical (tol.  $\pm 1/32$ ). • For Accessories and Options see pages DT-5A & DT-5B.

email - sales@aeromfg.com

AERO MANUFACTURING COMPANY • 310 ALLWOOD ROAD, CLIFTON, NEW JERSEY 07012 • VOICE 973473.5300 FAX 973.473.3794